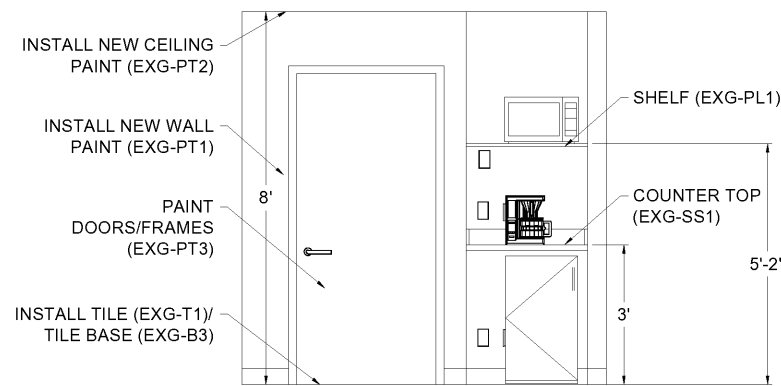
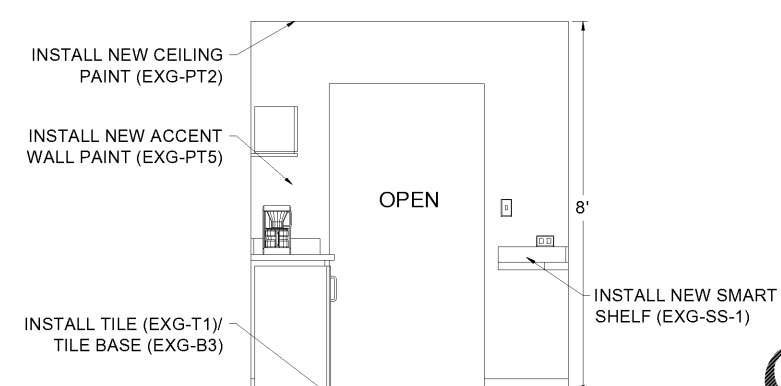


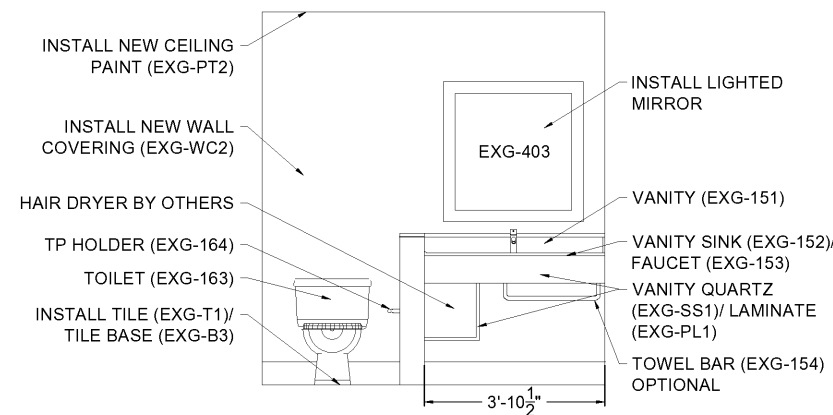
1 TYPICAL ENTRY ELEVATION
3/16" = 1'-0"



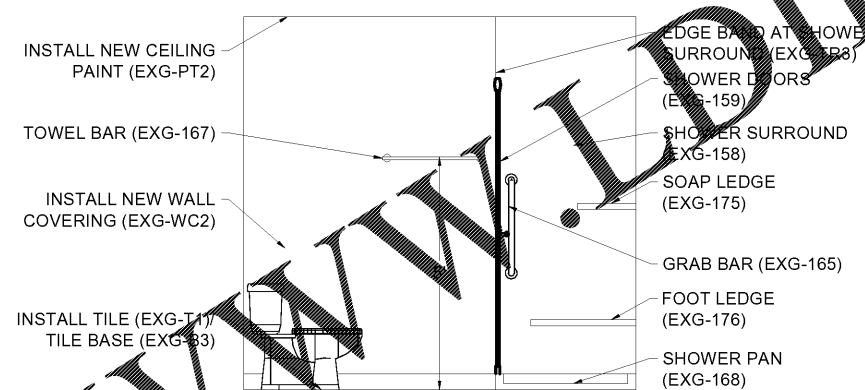
2 TYPICAL DRYBAR ELEVATION
3/16" = 1'-0"



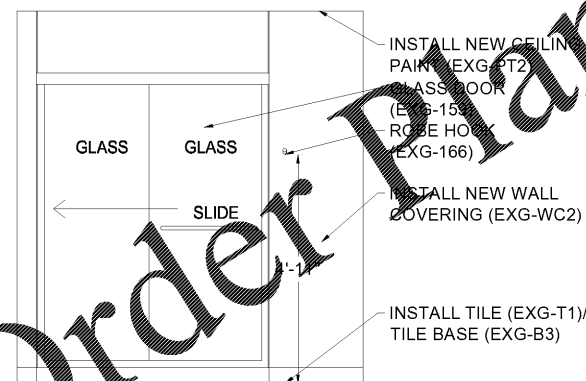
3 TYPICAL DRYBAR SIDE ELEVATION
3/16" = 1'-0"



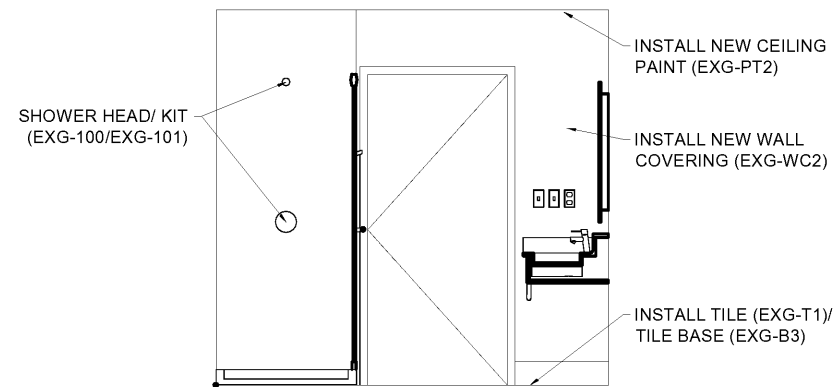
4 TYPICAL VANITY ELEVATION
3/16" = 1'-0"



5 TYPICAL SHOWER SIDE ELEVATION
3/16" = 1'-0"



6 TYPICAL SHOWER DOOR ELEVATION
3/16" = 1'-0"



7 TYPICAL VANITY/ SHOWER SIDE ELEVATION
3/16" = 1'-0"

DRAWING TITLE
GUEST ROOM PLANS

PROJECT
HOLIDAY INN EXPRESS
WILSON NC

SCALE
AS NOTED

DATE
05-07-19

DWN BY
JLM

CHECKED BY
DND

REVISED

GENERAL NOTES

GENERAL CONTRACTOR

PURCHASING COMPANY

DRAWING NO

ID.03.3