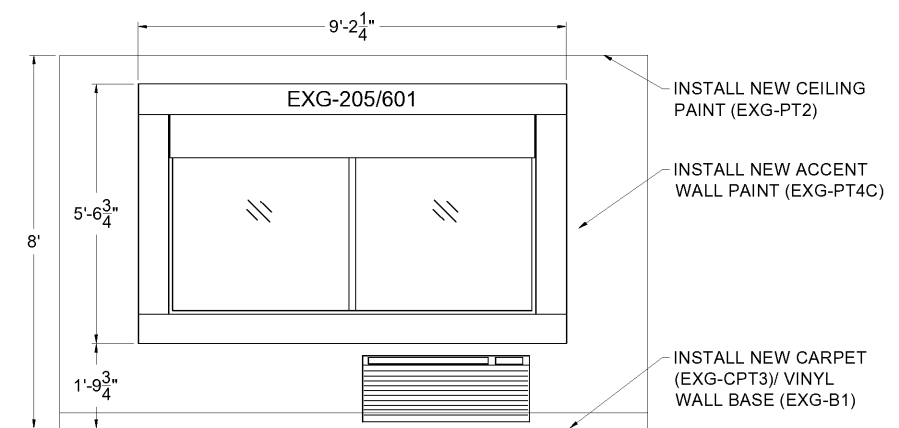
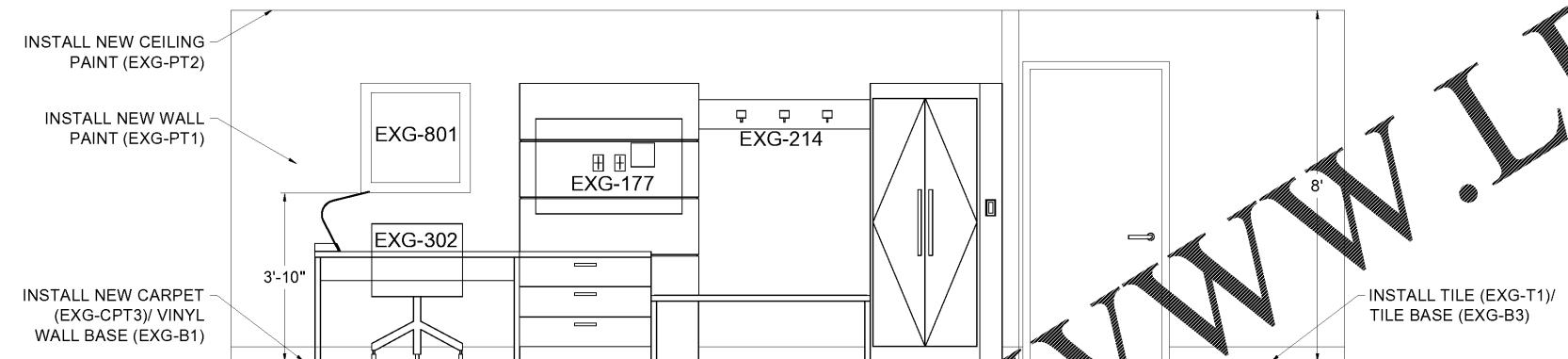


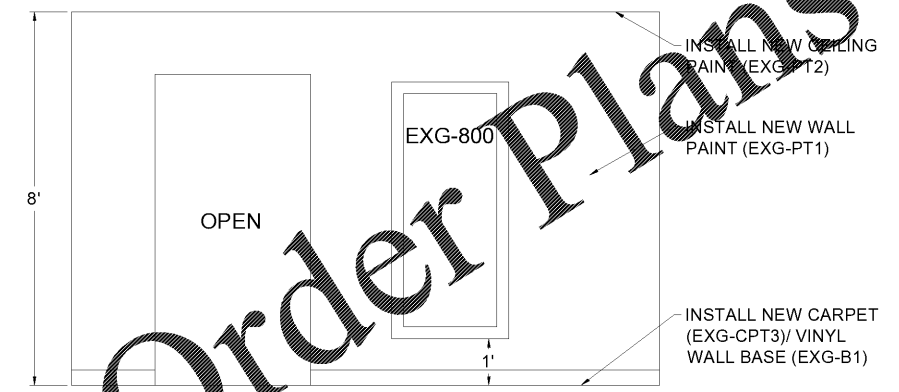
1 TYPICAL KING HB W/ CHAISE LOUNGE ELEVATION
 3/16" = 1'-0"



2 TYPICAL WINDOW WALL ELEVATION
 3/16" = 1'-0"



3 TYPICAL FUNCTIONAL RACK/ CONNECT DOOR ELEVATION
 3/16" = 1'-0"



4 TYPICAL SIDE WALL/ MIRROR ELEVATION
 3/16" = 1'-0"

DRAWING TITLE
 GUEST ROOM PLANS

PROJECT
 HOLIDAY INN EXPRESS
 WILSON NC
 SCALE
 AS NOTED

DATE
 05-07-19

DWN BY
 JLM

CHECKED BY
 DND

REVISED

GENERAL NOTES

GENERAL CONTRACTOR

PURCHASING COMPANY

DRAWING NO

ID.03.2