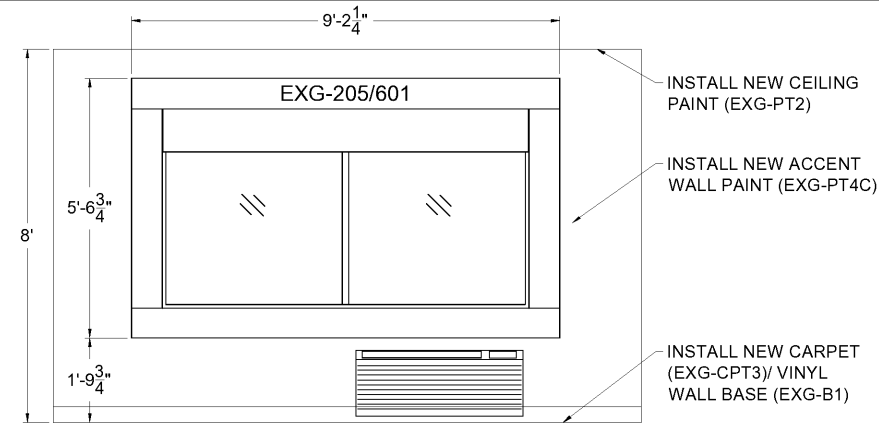
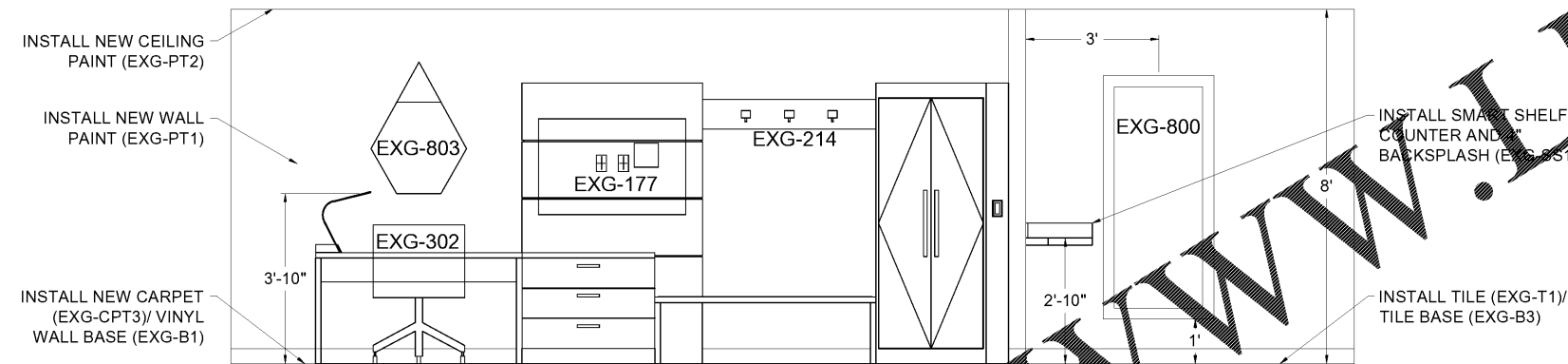


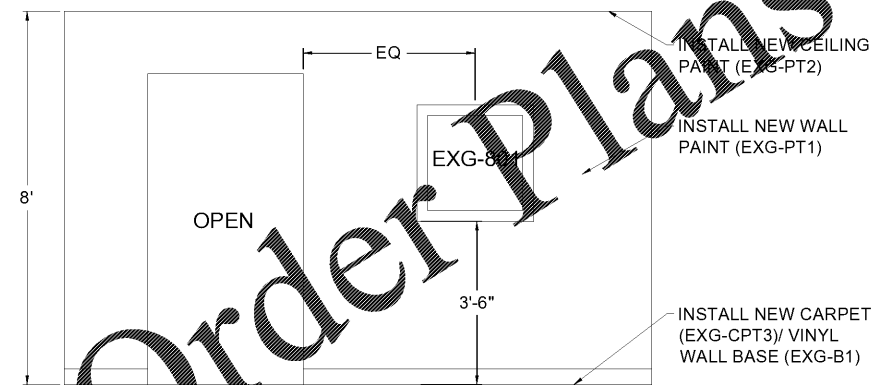
1 TYPICAL KING HB W/ CHAISE LOUNGE ELEVATION
3/16" = 1'-0"



2 TYPICAL WINDOW WALL ELEVATION
3/16" = 1'-0"



3 TYPICAL FUNCTIONAL RACK/ SMART SHELF ELEVATION
3/16" = 1'-0"



4 TYPICAL SIDE WALL ELEVATION
3/16" = 1'-0"

DRAWING TITLE
GUEST ROOM PLANS

PROJECT
HOLIDAY INN EXPRESS
WILSON NC

SCALE
AS NOTED

DATE
05-07-19

DWN BY
JLM

CHECKED BY
DND

REVISIED

GENERAL NOTES

GENERAL CONTRACTOR

PURCHASING COMPANY

DRAWING NO

ID.02.2