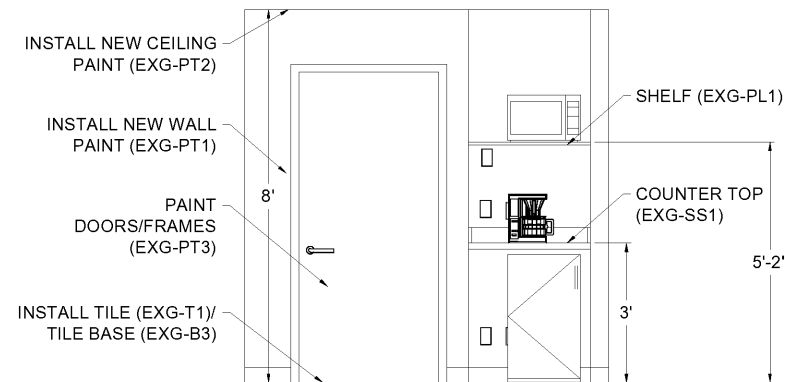
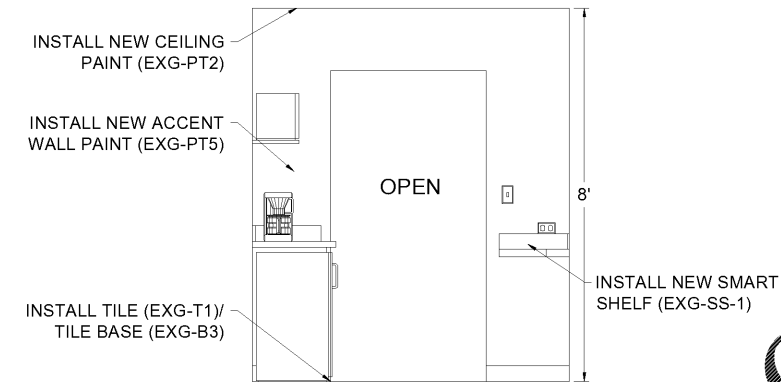


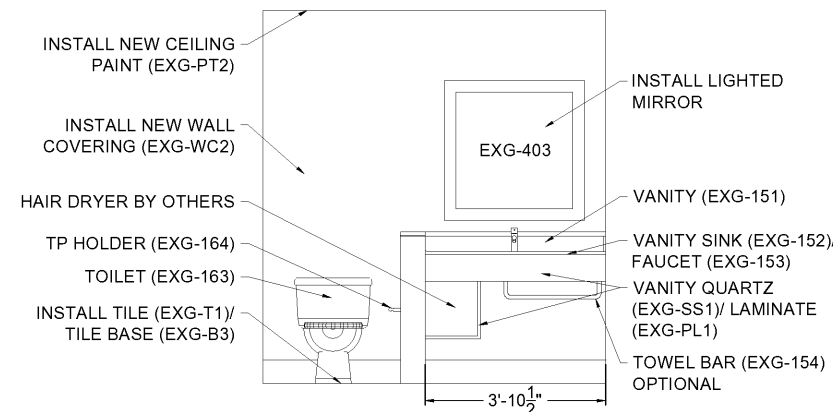
1 TYPICAL ENTRY ELEVATION  
3/16" = 1'-0"



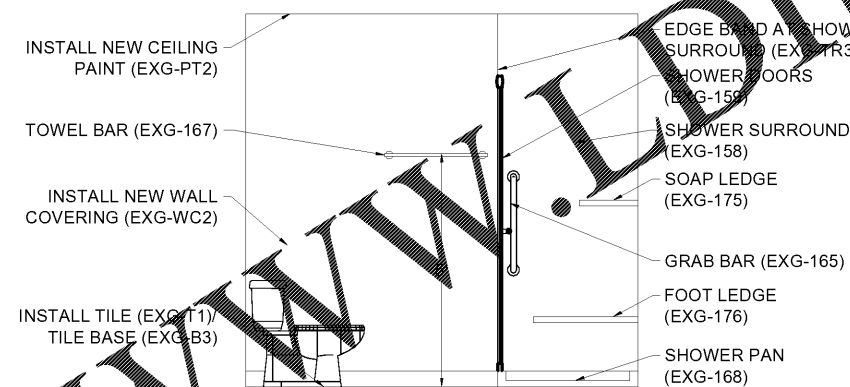
2 TYPICAL DRYBAR ELEVATION  
3/16" = 1'-0"



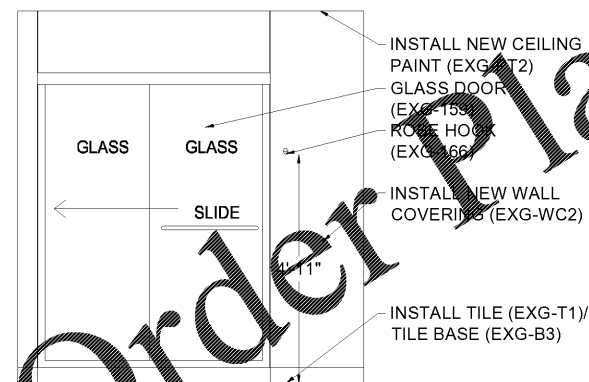
3 TYPICAL DRYBAR SIDE ELEVATION  
3/16" = 1'-0"



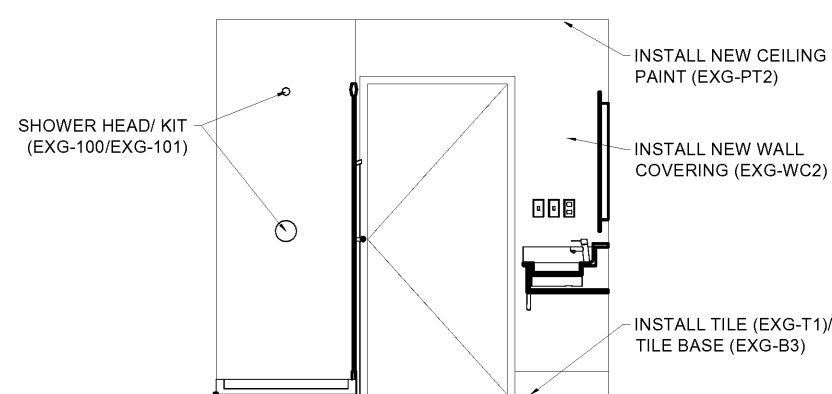
4 TYPICAL VANITY ELEVATION  
3/16" = 1'-0"



5 TYPICAL SHOWER SIDE ELEVATION  
3/16" = 1'-0"



6 TYPICAL SHOWER DOOR ELEVATION  
3/16" = 1'-0"



7 TYPICAL VANITY/ SHOWER SIDE ELEVATION  
3/16" = 1'-0"

DRAWING TITLE  
GUEST ROOM PLANS

PROJECT  
HOLIDAY INN EXPRESS  
WILSON NC

SCALE  
\*AS NOTED\*

DATE  
05-07-19

DWN BY  
JLM

CHECKED BY  
DND

REVISD

GENERAL NOTES

GENERAL CONTRACTOR

PURCHASING COMPANY

DRAWING NO

ID.01.3