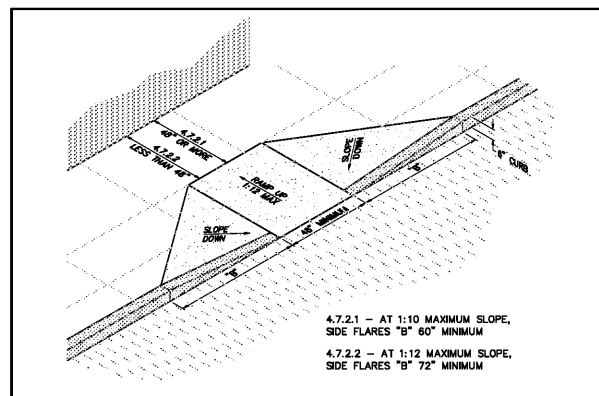
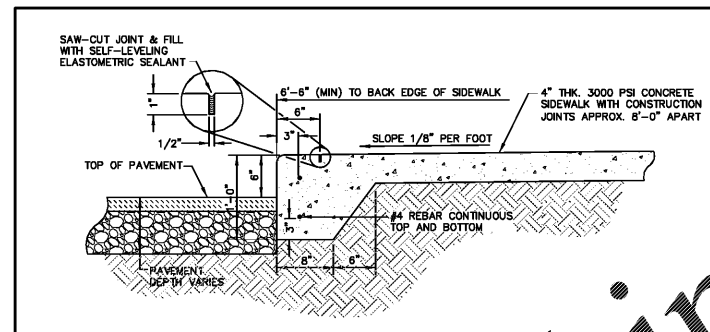


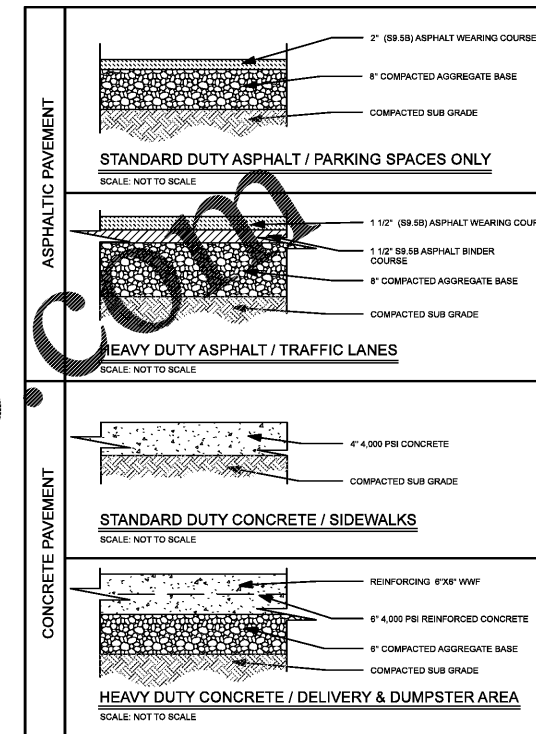
HANDICAP PARKING SIGN DETAIL
NOT TO SCALE



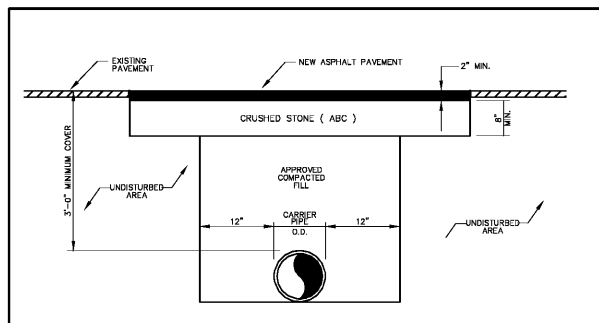
HANDICAP DEPRESSED SIDEWALK DETAIL
NOT TO SCALE



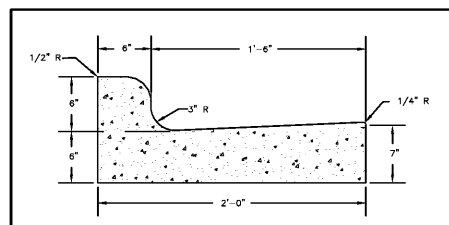
TURN-DOWN SIDEWALK DETAIL
NOT TO SCALE



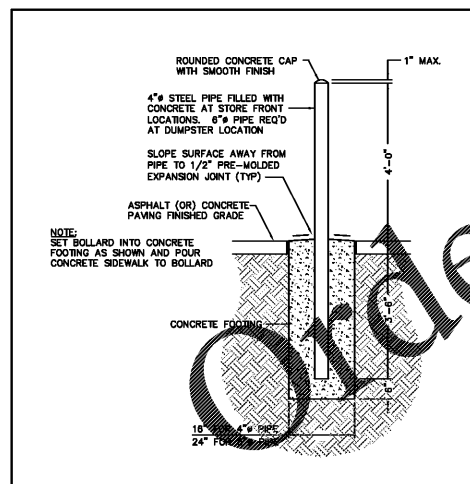
PAVEMENT DETAILS
NOT TO SCALE



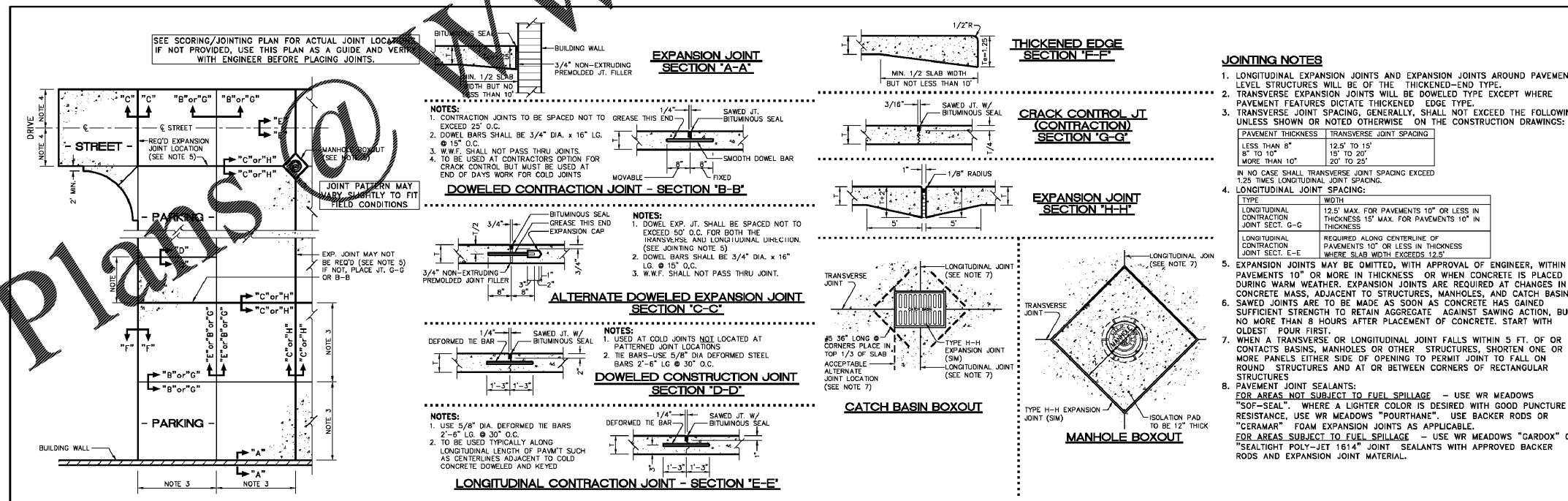
OPEN CUT REPAIR DETAIL
NOT TO SCALE



CURB & GUTTER SECTION
NOT TO SCALE



TYPICAL BOLLARD DETAIL
NOT TO SCALE



TYPICAL CONCRETE JOINT CONSTRUCTION DETAIL
NOT TO SCALE



TRC Stamp:	City Council Stamp:	Revision	Date	By

Herring-Sutton & Associates, P.A.
Engineers - Surveyors - Planners
2201 Nash Street NW • Wilson, North Carolina 27896 • (252)291-8887 • C-2310

- Holiday Inn Express -
City of Wilson, N.C.

Miscellaneous Construction Details
Date: July 2018
Scale: as shown Map No. 2018-4260L
Drawn by: twh
Sheet No. DT-1