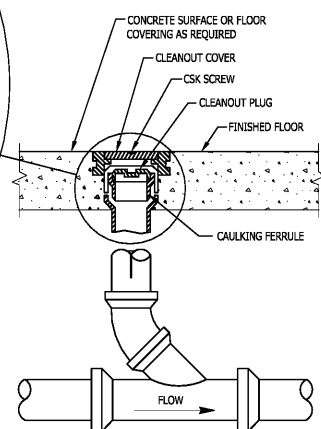
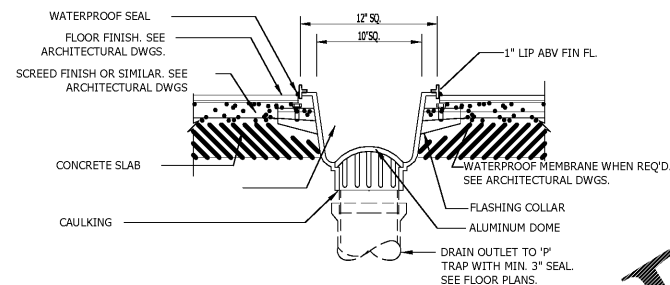


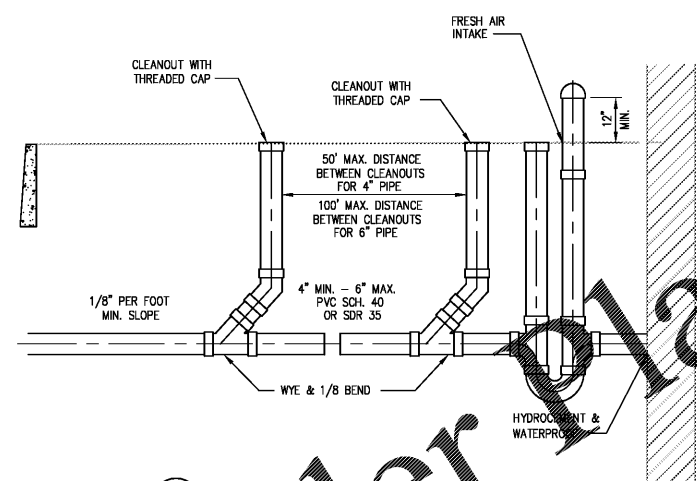
1 FINISHED FLOOR CLEAN OUT DETAIL
NOT TO SCALE



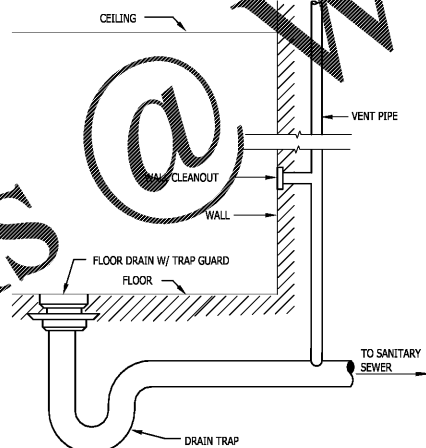
2 FLOOR SINK DETAIL
NOT TO SCALE



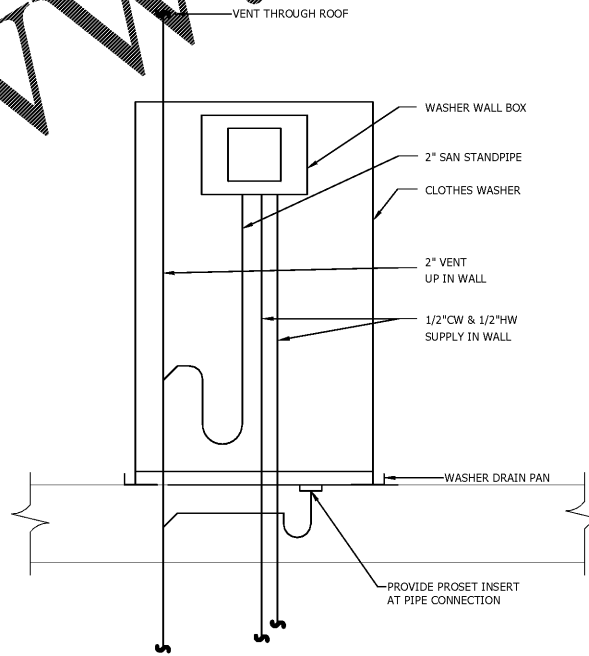
3 3-BOWL SINK SAFE WASTE DETAIL
NOT TO SCALE



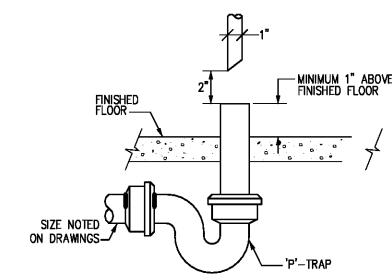
4 SANITARY SERVICE DETAIL
NOT TO SCALE



5 FLOOR DRAIN/VENT DETAIL
NOT TO SCALE



6 WASHER WALL BOX WB-1 DETAIL
NOT TO SCALE



7 SAFE WASTE
NOT TO SCALE

- NOTES:
1. PLUMBING CONTRACTOR SHALL CONNECT I.W. TO OUTLET OF GRID STRAINER OR TAIL-PIECE FURNISHED BY KITCHEN EQUIPMENT CONTRACTOR.
 2. SUPPORT I.W. FROM THE UNDERSIDE OF EQUIPMENT AS DIRECTED.
 3. SEE PLAN OR SCHEDULE FOR FLOOR DRAIN TYPE.
 4. FOR SIZE OF I.W. PIPING SEE PLUMBING FLOOR PLAN OR KITCHEN EQUIPMENT SCHEDULE.

No.	Description	Date

DISCLAIMER: This drawing is prepared by an independent contractor and is not a representation of the architect. The architect is not responsible for the accuracy of the information provided in this drawing. The architect is not responsible for the accuracy of the information provided in this drawing. The architect is not responsible for the accuracy of the information provided in this drawing.

MEISTER COX ARCHITECTS
 INFO@MEISTER-COX.COM
 PHONE: 610-375-1331 FAX: 610-375-4555
 1522 PENN AVENUE WYOMISSING, PA 19610
 WWW.MEISTER-COX.COM

SEAL:

PLUMBING DETAILS
 HOLIDAY INN EXPRESS & SUITES
 INTERSECTION OF HAYNES PLACE & LAMMI RD.
 WILSON, NC 27883

STATUS:	FOR BID
PROJ. DATE:	06/06/2019
PROJ. NO.:	19-116
PRINTED:	06/06/2019
DRAWN BY:	jlm/brm/jpk
CHECKED BY:	brm
SHEET NO.:	P8.2
SCALE:	AS NOTED

Order Plans @ WWW.LDHLINE.COM