

No.	Description	Date

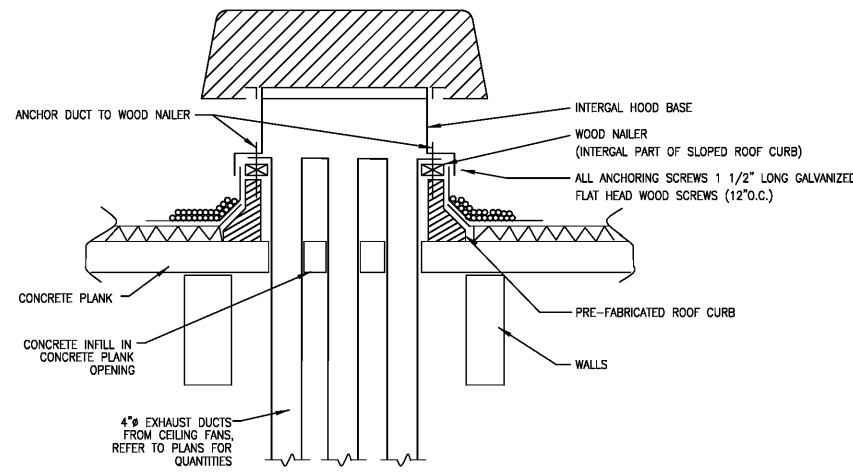
DISCLAIMER: This drawing is prepared by the engineer for the use of the contractor. The contractor shall be responsible for verifying the accuracy of the data, plans, specifications, reports, and all other documents used in the preparation of this drawing. The engineer shall not be responsible for any errors or omissions in this drawing or for any consequences arising therefrom. The engineer's responsibility is limited to the design and construction of the mechanical system as shown on this drawing. The contractor shall be responsible for obtaining all necessary permits and for complying with all applicable codes and regulations. The engineer's drawings are provided for information only and are not to be used for any other purpose without the written consent of the engineer. The engineer shall not be responsible for any damage to property or persons resulting from the use of this drawing. The engineer's drawings are provided for information only and are not to be used for any other purpose without the written consent of the engineer. The engineer shall not be responsible for any damage to property or persons resulting from the use of this drawing.

MEISTER COX ARCHITECTS
 INFO@MEISTER-COX.COM
 PHONE: 610-375-1331 FAX: 610-375-4555
 1522 PENN AVENUE WYOMISSING, PA 19610
 WWW.MEISTER-COX.COM

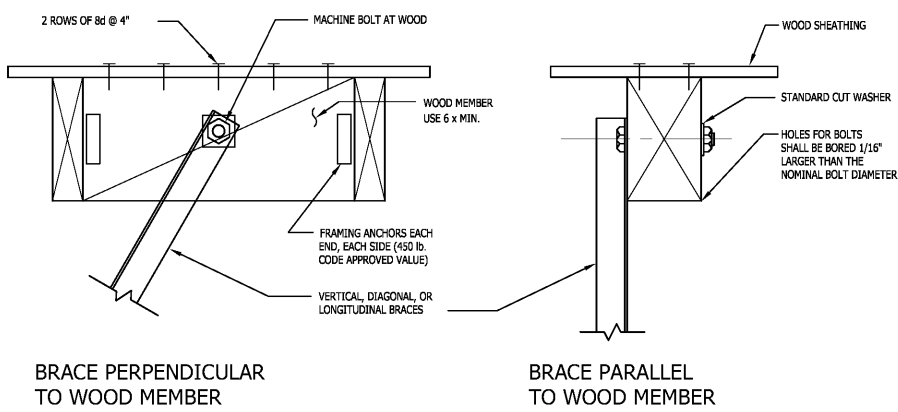
SEAL:

MECHANICAL DETAILS
 HOLIDAY INN EXPRESS & SUITES
 INTERSECTION OF HAYNES PLACE & LAMM RD.
 WILSON, NC 27883

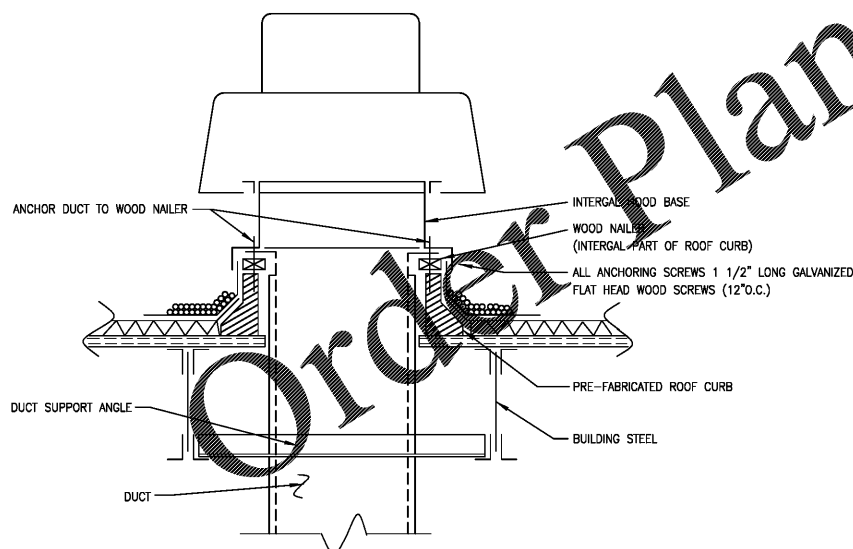
STATUS:	FOR BID
PROJ. DATE:	06/06/2019
PROJ. NO.:	19-116
PRINTED:	06/06/2019
DRAWN BY:	jlm/brm/jpk
CHECKED BY:	brm
SHEET NO.:	M8.2
SCALE:	AS NOTED



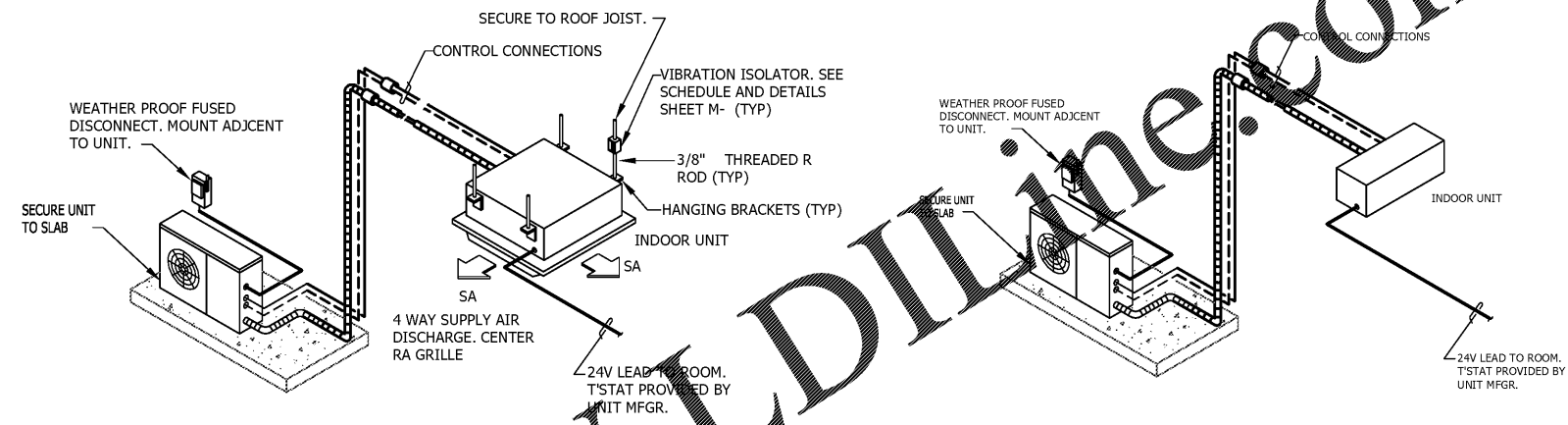
NOTE: ROOF OPENINGS, FLASHING, & ROOFING BY G.C.
1 ROOF MOUNTED GRAVITY VENTILATOR DETAIL
 SCALE: NOT TO SCALE



4 CONNECTION TO WOOD DETAILS
 SCALE: NOT TO SCALE

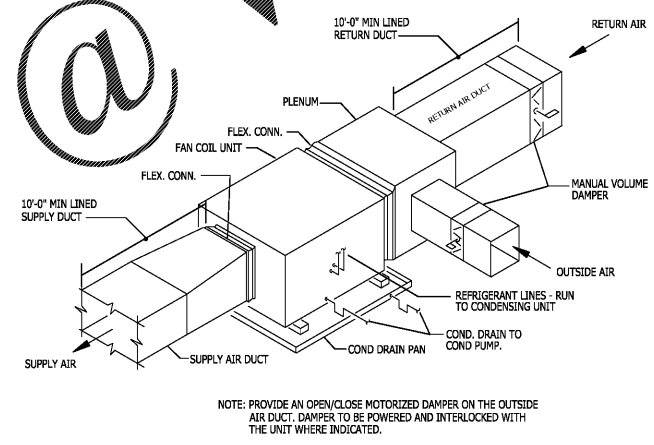


NOTE: ROOF OPENING, FLASHING, & ROOFING BY G.C.
7 ROOF EXHAUST FAN DETAIL
 SCALE: NOT TO SCALE

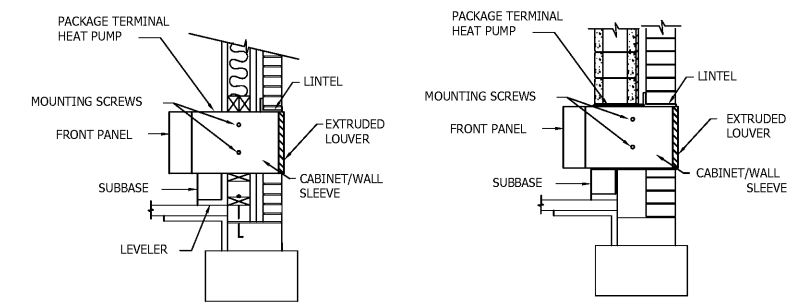


2 DUCTLESS MINI-SPLIT DETAIL
 SCALE: NOT TO SCALE

3 DUCTLESS MINI-SPLIT DETAIL
 SCALE: NOT TO SCALE



NOTE: PROVIDE AN OPEN/CLOSE MOTORIZED DAMPER ON THE OUTSIDE AIR DUCT. DAMPER TO BE POWERED AND INTERLOCKED WITH THE UNIT WHERE INDICATED.
5 FAN COIL/AIR HANDLING UNIT DETAIL
 SCALE: NOT TO SCALE



6 PTAC DETAIL
 SCALE: NOT TO SCALE