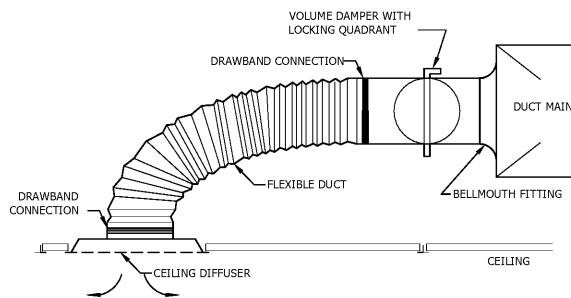


1 DUCT SUPPORT DETAIL
 SCALE: NOT TO SCALE

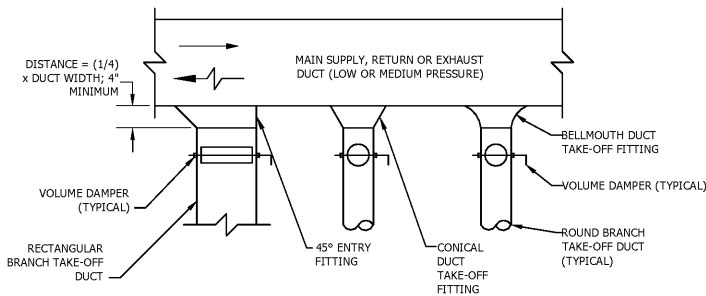
DUCT DIMENSION	HANGER TYPE	ROD DIA.	ANGLE SIZE	SPACING MAX
UP TO 18"	A	1" STRAP		8'-0"
19" TO 60"	B	5/16"	1-1/2" X 1-1/2" X 1/8"	8'-0"
61" TO 96"	C	3/8"	1-1/2" X 1-1/2" X 3/16"	8'-0"
OVER 96"	D	1/2"	2" X 2" X 1/4"	4'-0"

- NOTES:**
- FOR SEVERAL DUCTS ON ONE HANGER, TYPE "B", "C", OR "D" MAY BE USED. SIZE OF HANGER SHALL BE SELECTED ON SUM OF DUCT WIDTHS EQUAL TO MAX. WIDTH OF DUCT SCHEDULE.
 - DO NOT ATTACH DUCT HANGERS TO ROOF DECK OR BOTTOM



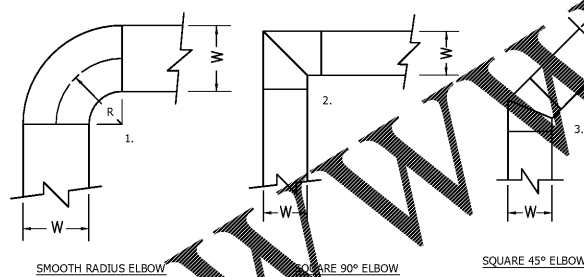
- NOTES:**
- INSULATED FLEXIBLE DUCT - SHALL BE PRE-STRETCHED BEFORE INSTALLATION
 - LENGTH NOT TO EXCEED 5 FEET
 - DIAMETER TO BE EQUAL TO DIFFUSER INLET SIZE UNLESS OTHERWISE NOTED

5 DIFFUSER FLEXIBLE DUCT CONNECTION DETAIL
 SCALE: NOT TO SCALE



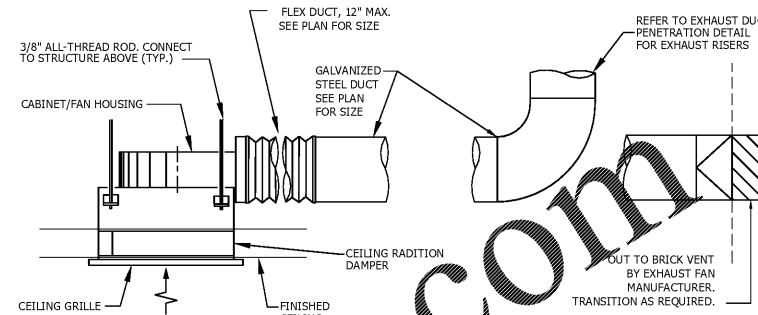
- NOTES:**
- SPIN-IN DUCT TAKE-OFF FITTINGS MAY BE USED IN LIEU OF CONICAL OR BELLMOUTH FITTINGS ONLY WHERE MAIN DUCT DIMENSIONS ARE NOT SUFFICIENT TO ALLOW THE USE OF A CONICAL OR BELLMOUTH.
 - SEAL ALL TAKE-OFF AND OTHER DUCT FITTINGS AIR TIGHT AS PER SPECIFICATION.
 - FABRICATE BRANCH DUCT TAKE-OFF FITTINGS PER LATEST EDITION OF SMACNA DUCT CONSTRUCTION MANUAL, AS INDICATED ON PLANS, OR AS DESCRIBED IN THE SPECIFICATION.
 - APPLIES TO SUPPLY AND EXHAUST RUNOUTS TO GRILLES, REGISTERS, AND DIFFUSERS.

2 BRANCH TAKE-OFF DUCT DETAIL
 SCALE: NOT TO SCALE

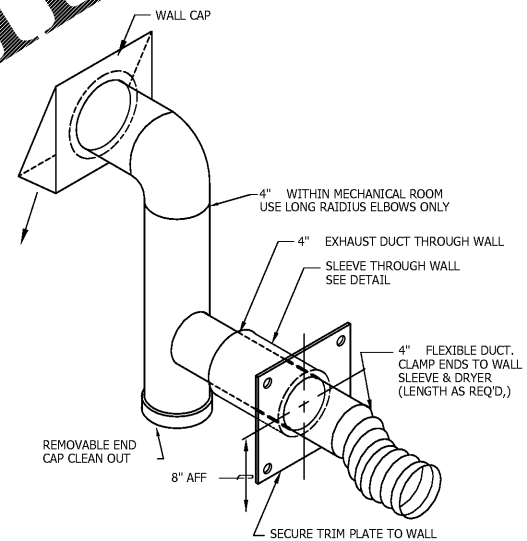


- NOTES:**
- R/W RATIO SHALL BE NO LESS THAN 1.0
 - PROVIDE TURNING VANES IN ALL 90° SQUARE ELBOWS UNLESS OTHERWISE NOTED ON PLANS
 - PROVIDE TURNING VANES IN ALL 45° SQUARE ELBOWS UNLESS OTHERWISE NOTED ON PLANS

6 TYPICAL DUCTWORK ELBOW DETAILS
 SCALE: NOT TO SCALE

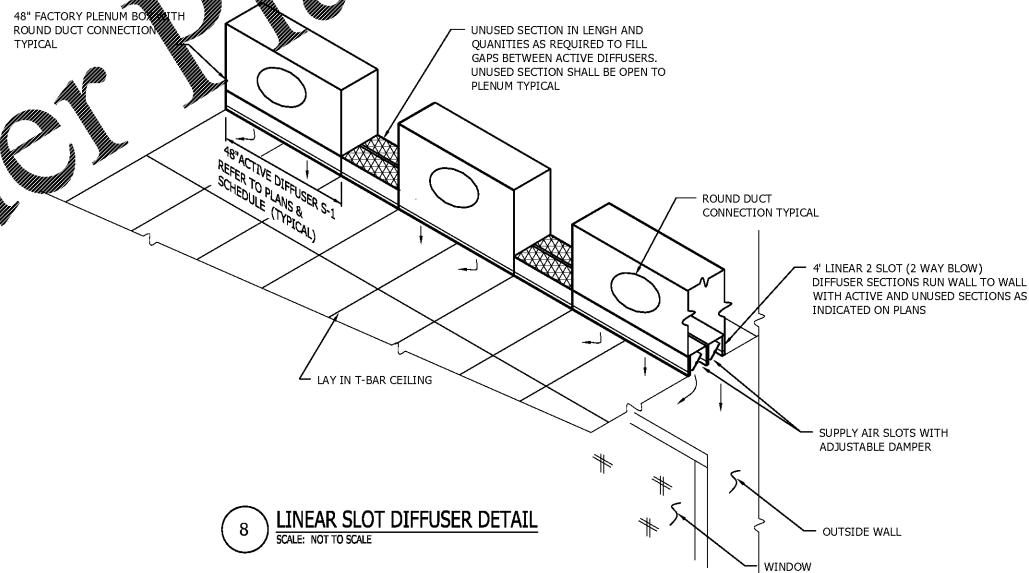


3 LOW PROFILE EXHAUST FAN DETAIL
 SCALE: NOT TO SCALE

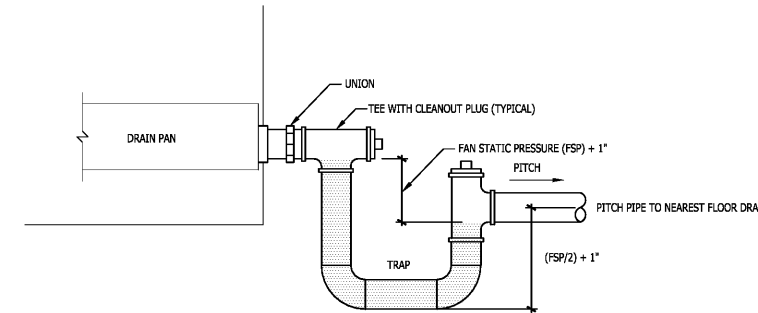


7 RESIDENTIAL DRYER DUCT DETAIL
 SCALE: NOT TO SCALE

Order Plans @ www.LDIDline.com



8 LINEAR SLOT DIFFUSER DETAIL
 SCALE: NOT TO SCALE



- NOTES:**
- ALLOW SUFFICIENT SPACE BELOW DRAIN PAN FOR TRAP.
 - PITCH DRAIN FOR PROPER RUNOFF.
 - MANUALLY PRIME FILL TRAP BEFORE STARTUP TO FORM INITIAL DRAIN SEAL.
 - SUPPORT LENGTHY DRAIN LINES TO PREVENT SAG AND CONDENSATE OVERFLOW.

9 CONDENSATE TRAP DETAIL
 SCALE: NOT TO SCALE

No.	Description	Date

MEISTER-COX ARCHITECTS
 INFO@MEISTER-COX.COM
 PHONE: 610-375-1331 FAX: 610-375-4555
 1522 PENN AVENUE WYOMISSING, PA 19610
 WWW.MEISTER-COX.COM

SEAL:

MECHANICAL DETAILS
 HOLIDAY INN EXPRESS & SUITES
 INTERSECTION OF HAYNES PLACE & LAMMI RD.
 WILSON, NC 27883

STATUS: FOR BID

PROJ. DATE: 06/06/2019

PROJ. NO: 19-116

PRINTED: 06/06/2019

DRAWN BY: jlm/brm/jpk

CHECKED BY: brm

SHEET NO. **M8.1**

SCALE: AS NOTED