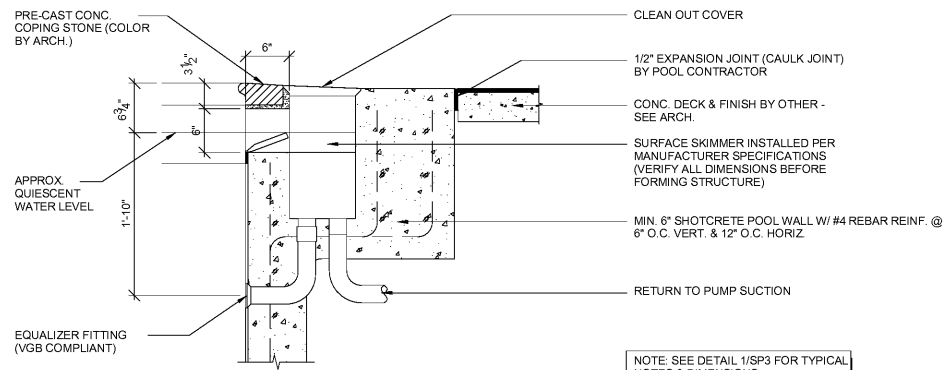
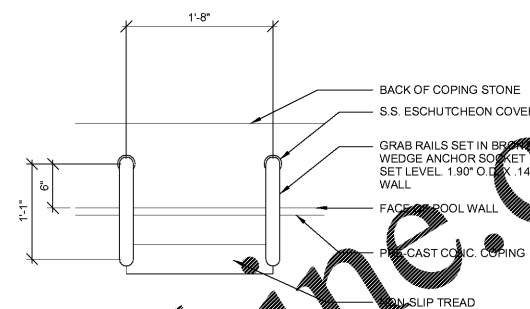


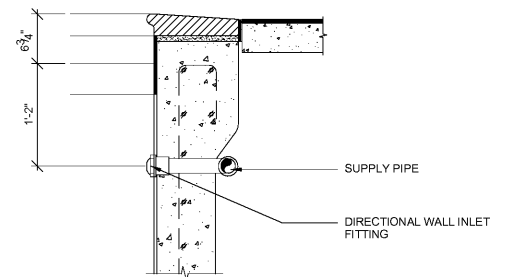
1 WALL DETAIL (TYP)
1" = 1'-0"



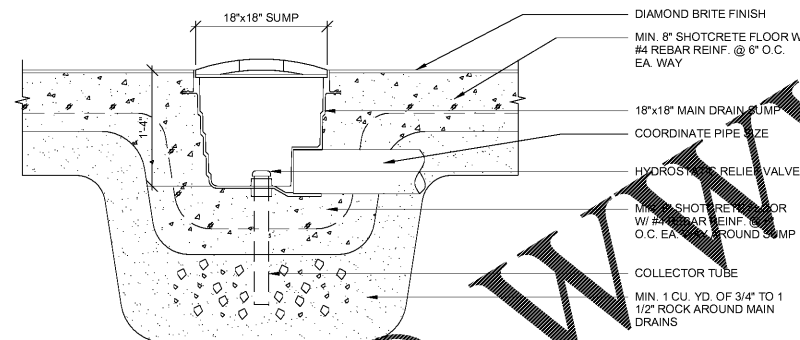
4 SKIMMER DETAIL
1" = 1'-0"



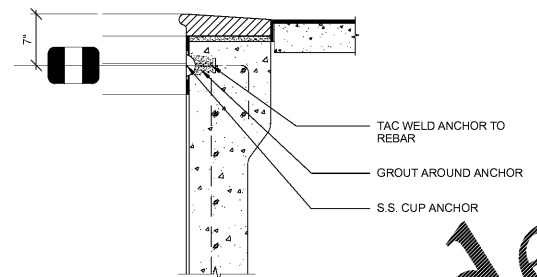
8 LADDER (PLAN)
1" = 1'-0"



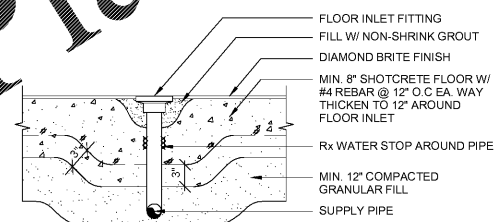
2 WALL INLET DETAIL
1" = 1'-0"



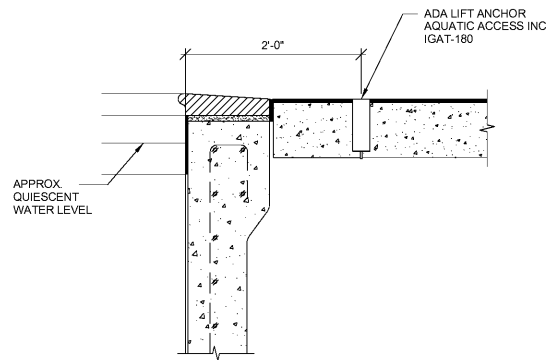
5 MAIN DRAIN DETAIL
1" = 1'-0"



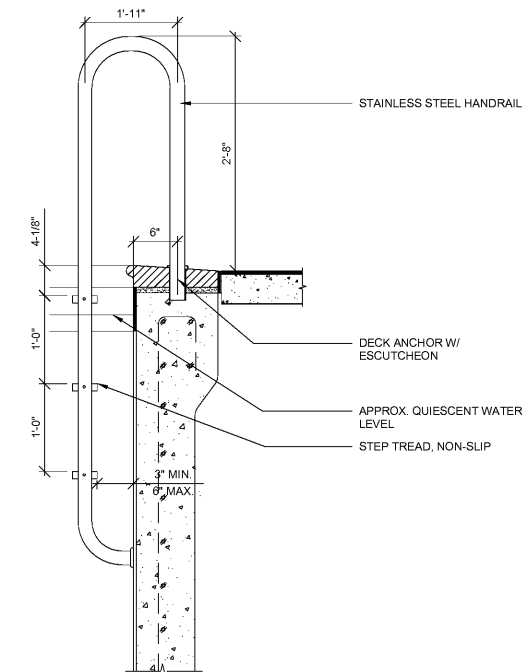
3 SAFETY LINE CUP ANCHOR DETAIL
1" = 1'-0"



6 FLOOR INLET DETAIL
1" = 1'-0"



7 ADA LIFT ANCHOR
1" = 1'-0"



9 LADDER (SECTION)
1" = 1'-0"

Order Plans @ WWW.LDILINE.COM

No.	Description	Date

DISCLAIMER: PC is providing, by agreement with certain parties, materials stored electronically. The parties recognize that data, plans, specifications, reports, drawings, and other documents are subject to modification, alteration, deletion, or destruction without notice. All documents are subject to modification, alteration, deletion, or destruction without notice. All documents are subject to modification, alteration, deletion, or destruction without notice. All documents are subject to modification, alteration, deletion, or destruction without notice.

MEISTER-COX ARCHITECTS
 INFO@MEISTER-COX.COM
 PHONE: 610-375-1331 FAX: 610-375-4655
 1522 PENN AVENUE WYOMISSING, PA 19610
 WWW.MEISTER-COX.COM

POOL DETAILS

HOLIDAY INN EXPRESS & SUITES
 INTERSECTION OF HAYNES PLACE & LAMM RD.
 WILSON, NC 27893

STATUS: BIDDING
 PROJ. DATE: 06-07-19
 PROJ. NO: 18-176
 PRINTED: 6/7/2019 7:12:45 PM
 DRAWN BY: RFF
 CHECKED BY: TGC
 SHEET NO. SP3
 SCALE: 1" = 1'-0"

