

DRAWING TITLE  
PUBLIC SPACE LAYOUT

PROJECT  
HOLIDAY INN EXPRESS  
WILSON, NC

SCALE  
\*AS NOTED\*  
DATE  
05-20-2019

DWN BY  
JLM

CHECKED BY  
DND

REVISED

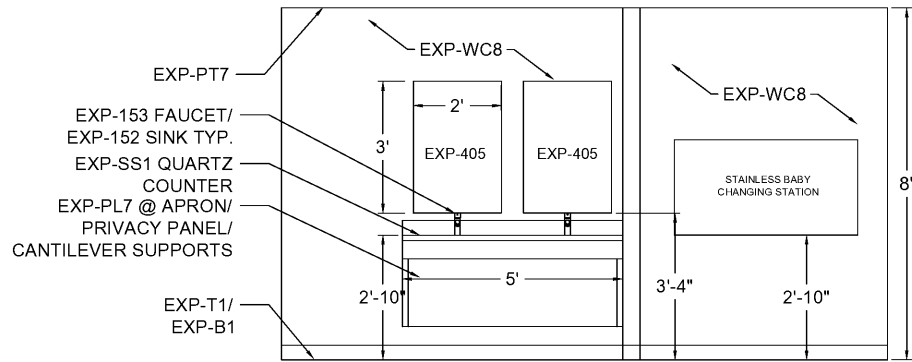
GENERAL NOTES

GENERAL CONTRACTOR

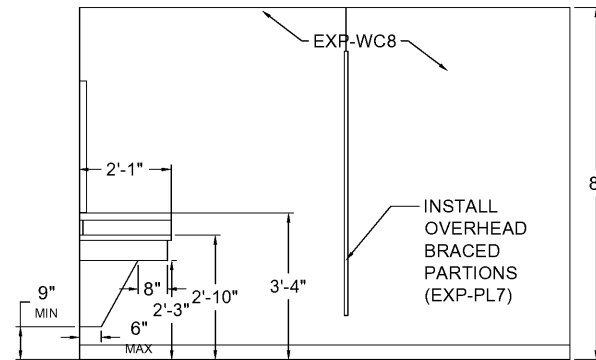
PURCHASING COMPANY

DRAWING NO

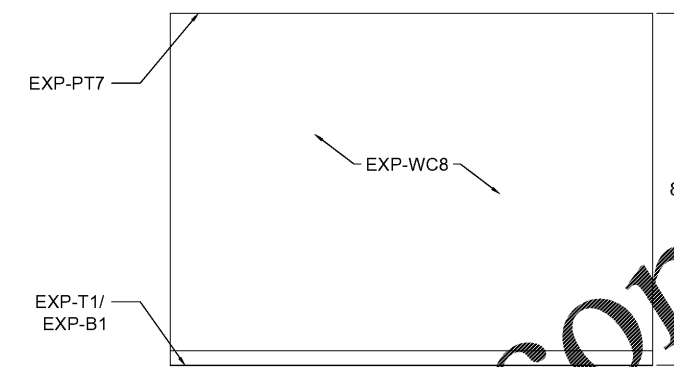
ID.X8



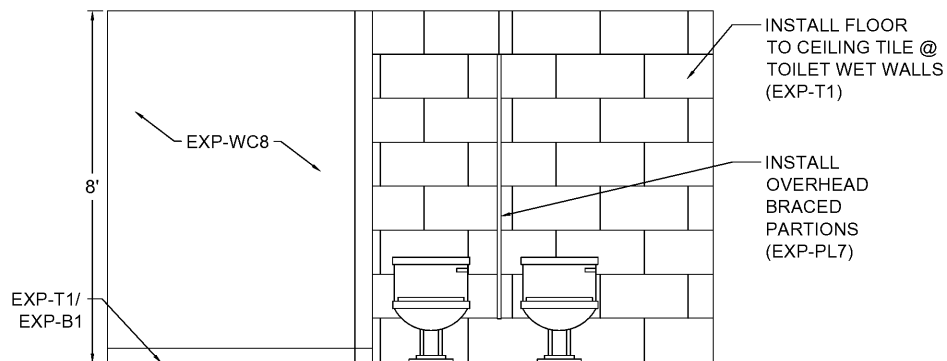
1 TYP PS RESTROOM VANITY ELEVATION  
SCALE: 1/2" = 1'-0"



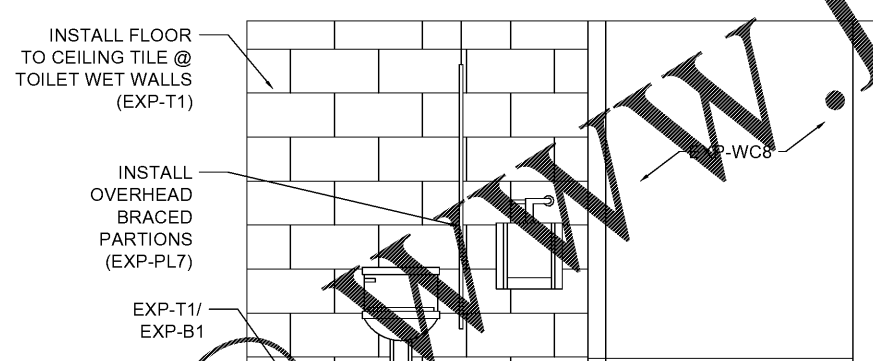
2 TYP PS RESTROOM VANITY SIDE ELEVATION  
SCALE: 1/2" = 1'-0"



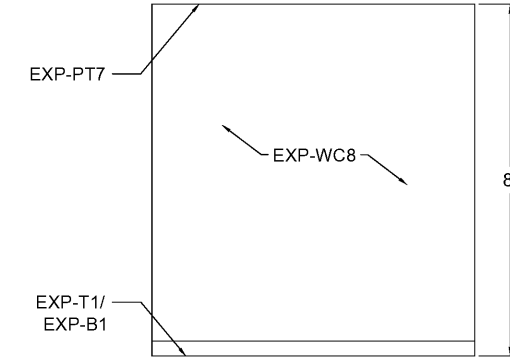
3 WOMEN'S ROOM WALL ELEVATION  
SCALE: 1/2" = 1'-0"



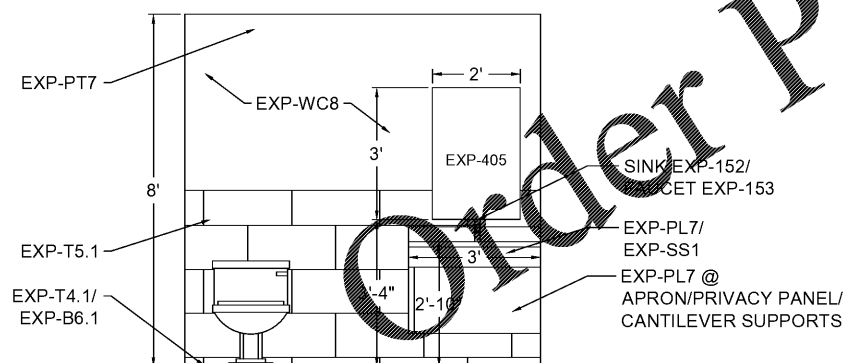
4 WOMEN'S ROOM TOILET WALL ELEVATION  
SCALE: 1/2" = 1'-0"



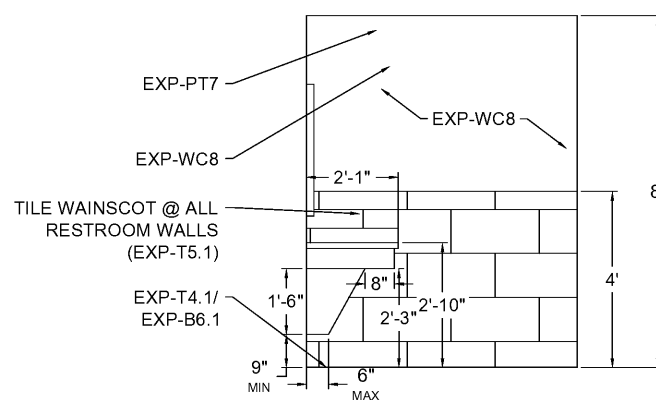
5 MEN'S ROOM TOILET WALL ELEVATION  
SCALE: 1/2" = 1'-0"



6 MEN'S ROOM WALL ELEVATION  
SCALE: 1/2" = 1'-0"



7 POOL RESTROOM WALL ELEVATION  
SCALE: 1/2" = 1'-0"



8 POOL RESTROOM VANITY SIDE ELEVATION  
SCALE: 1/2" = 1'-0"