

DRAWING TITLE
PUBLIC SPACE LAYOUT

PROJECT
HOLIDAY INN EXPRESS
WILSON, NC

SCALE
AS NOTED
DATE
05-20-2019

DWN BY
JLM

CHECKED BY
DND

REVISED

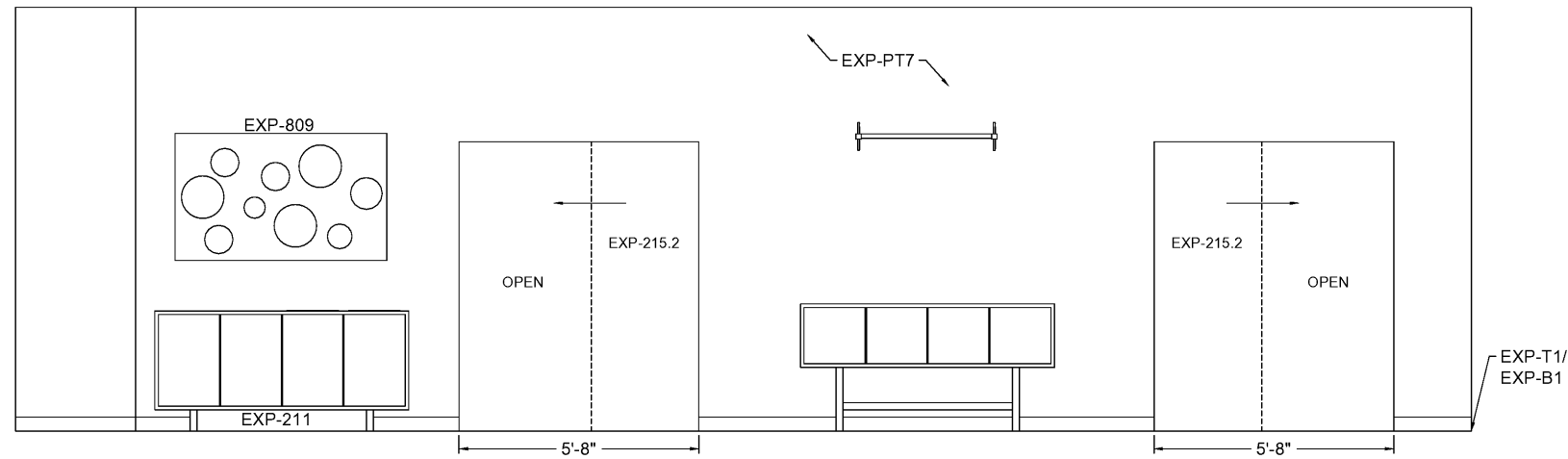
GENERAL NOTES

GENERAL CONTRACTOR

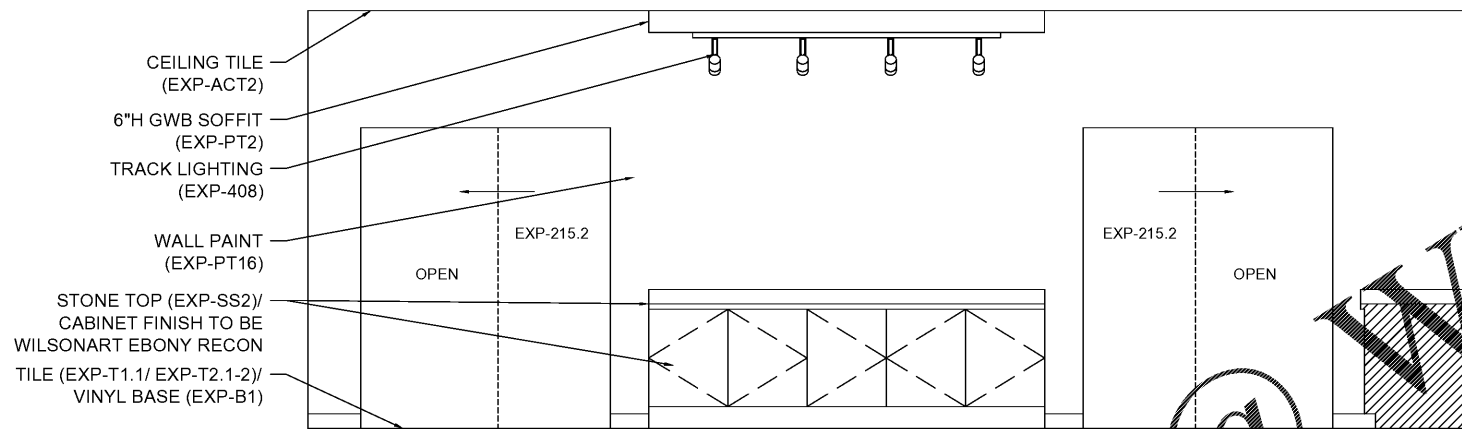
PURCHASING COMPANY

DRAWING NO

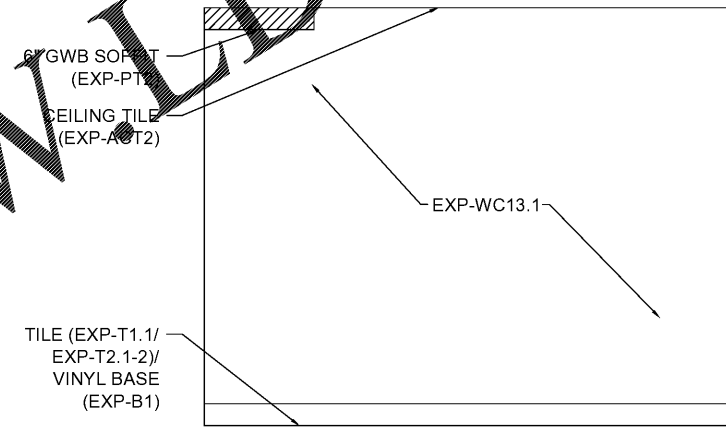
ID.X3



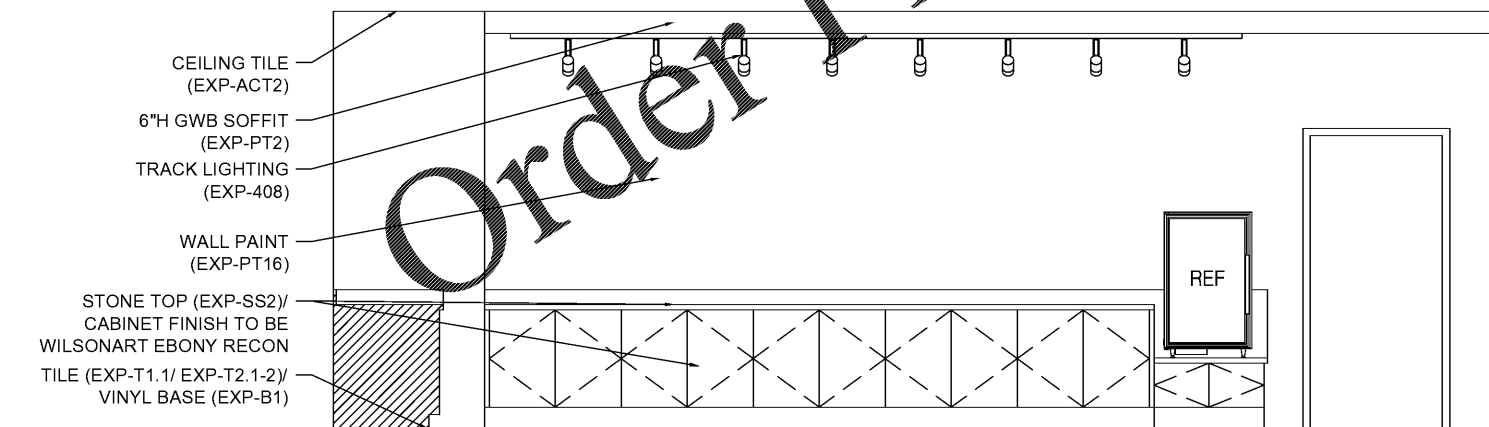
1 BREAKFAST BUFFET ENTRY ELEVATION
SCALE: 1/2" = 1'-0"



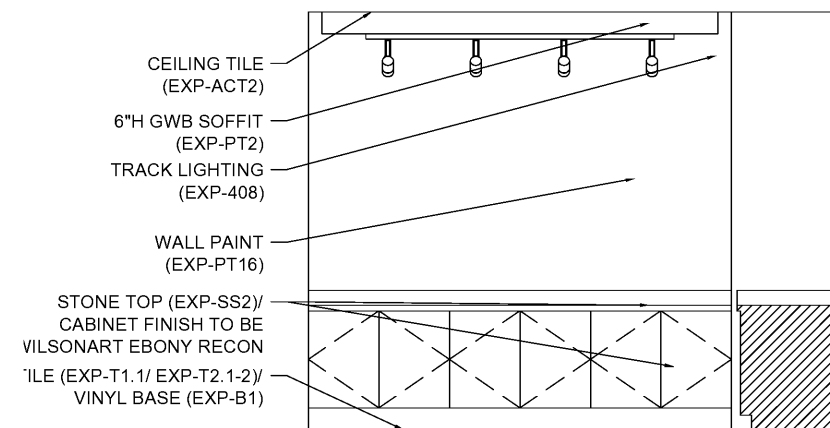
2 BREAKFAST BUFFET INTERIOR ENTRY ELEVATION
SCALE: 1/2" = 1'-0"



3 BREAKFAST BUFFET ACCENT WALL ELEVATION
SCALE: 1/2" = 1'-0"



4 BREAKFAST BUFFET BACK WALL ELEVATION
SCALE: 1/2" = 1'-0"



5 BREAKFAST BUFFET SIDE WALL ELEVATION
SCALE: 1/2" = 1'-0"