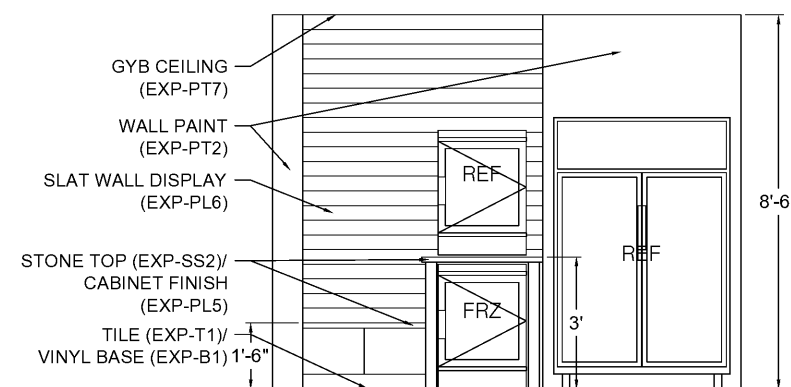
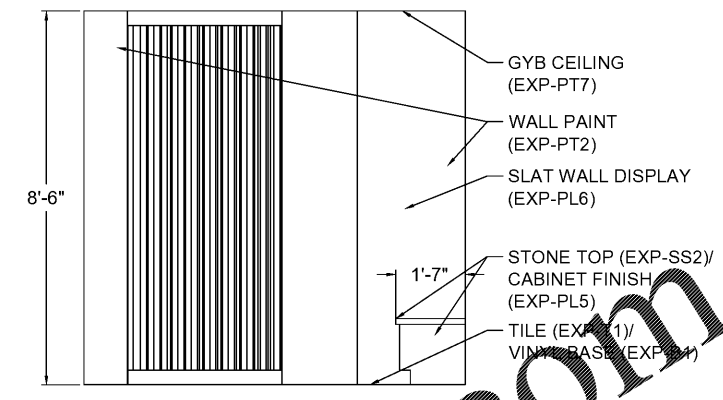


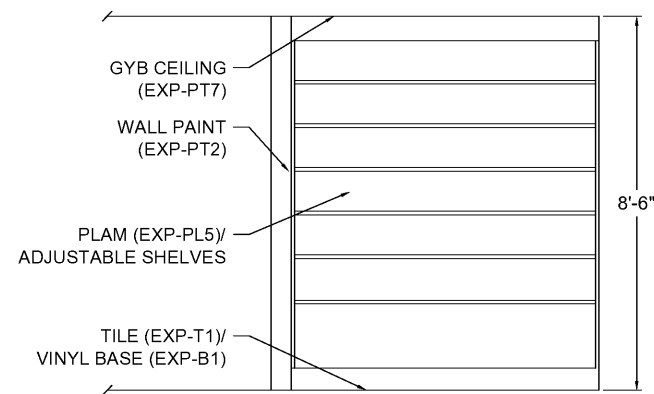
1 MARKET SIDE SCREEN ELEVATION
SCALE: 1/2" = 1'-0"



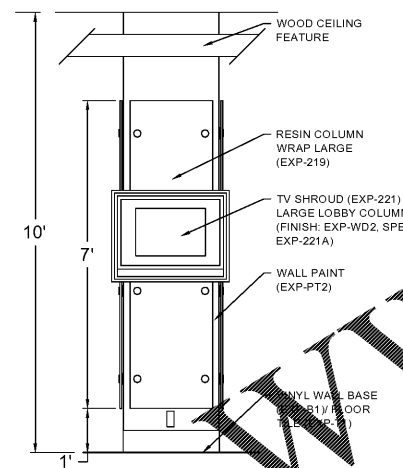
2 MARKET SIDE SCREEN ELEVATION
SCALE: 1/2" = 1'-0"



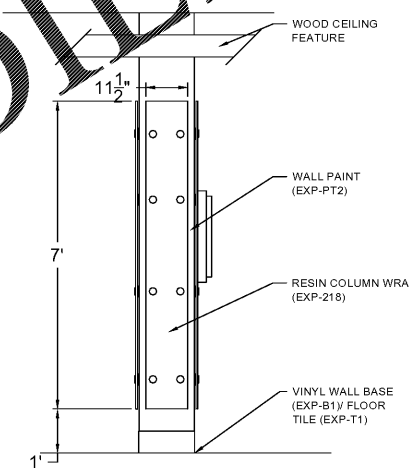
3 MARKET SIDE SIDE ELEVATION
SCALE: 1/2" = 1'-0"



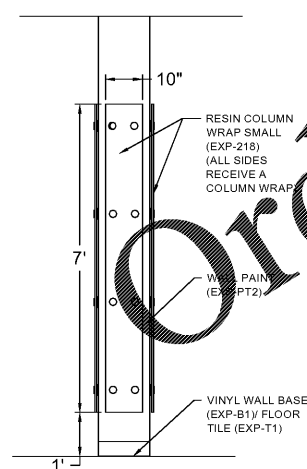
4 MARKET SIDE SHELVING ELEVATION
SCALE: 1/2" = 1'-0"



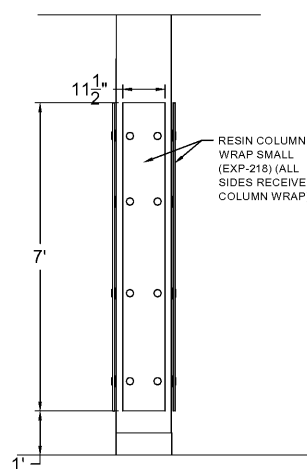
5 LIBRARY TV WRAP ELEVATION
SCALE: 1/2" = 1'-0"



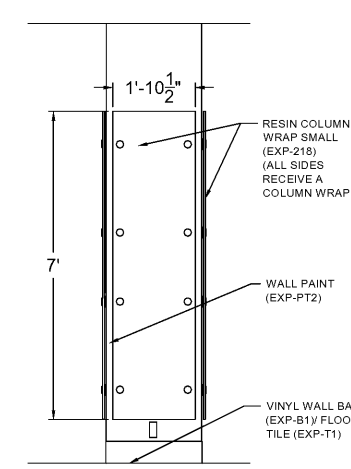
6 LIBRARY SMALL WRAP ELEVATION
SCALE: 1/2" = 1'-0"



7 LOBBY SMALL COLUMN WRAP ELEVATION
SCALE: 1/2" = 1'-0"



8 GREAT ROOM SMALL WRAP ELEVATION
SCALE: 1/2" = 1'-0"



9 GREAT ROOM LARGE WRAP ELEVATION
SCALE: 1/2" = 1'-0"

DRAWING TITLE
PUBLIC SPACE LAYOUT

PROJECT
HOLIDAY INN EXPRESS
WILSON, NC

SCALE
AS NOTED
DATE
05-20-2019

DWN BY
JLM

CHECKED BY
DND

REVISED

GENERAL NOTES

GENERAL CONTRACTOR

PURCHASING COMPANY

DRAWING NO

ID.X2