

DRAWING TITLE  
PUBLIC SPACE LAYOUT

PROJECT  
HOLIDAY INN EXPRESS  
WILSON, NC

SCALE  
\*AS NOTED\*  
DATE  
05-20-2019

DWN BY  
JLM

CHECKED BY  
DND

REVISED

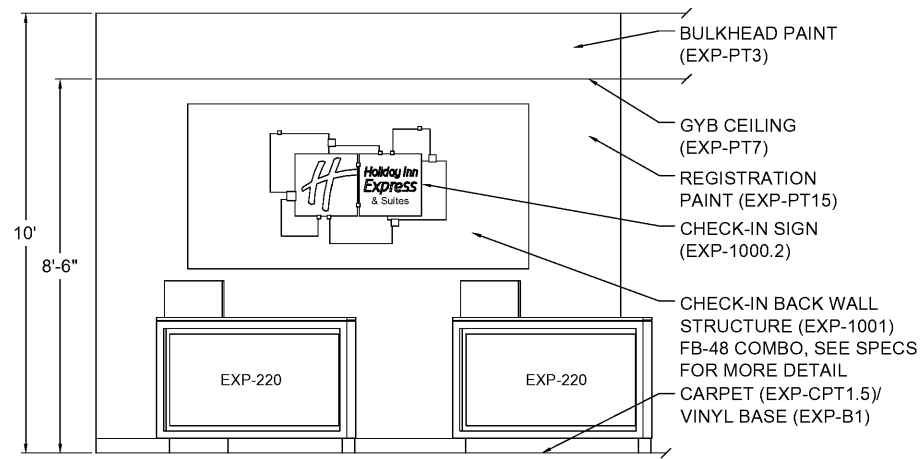
GENERAL NOTES

GENERAL CONTRACTOR

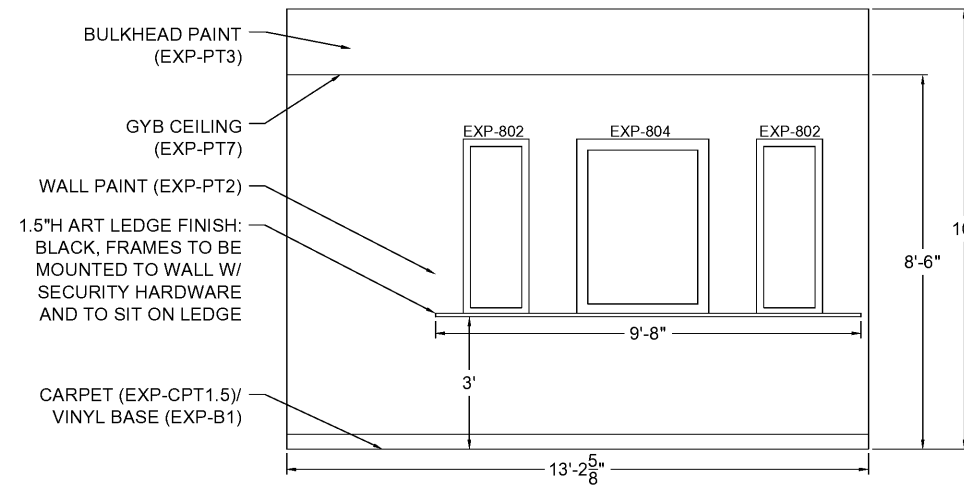
PURCHASING COMPANY

DRAWING NO

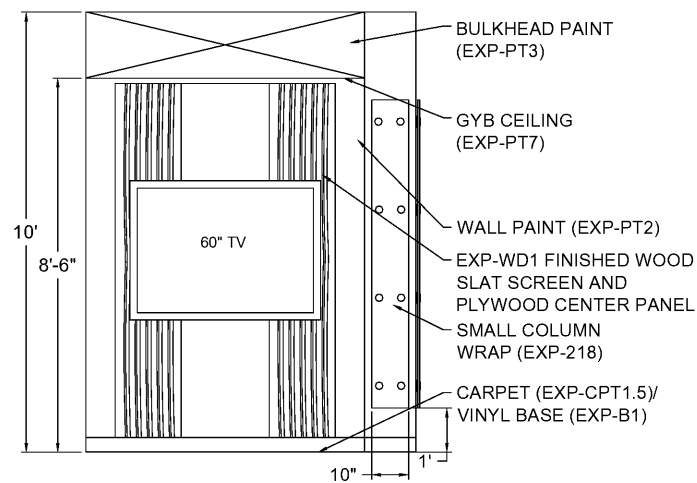
ID.X1



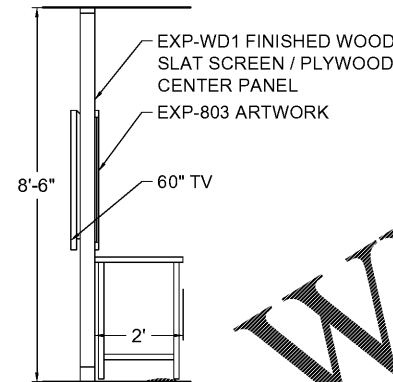
1 CHECK-IN POD ELEVATION  
SCALE: 1/2" = 1'-0"



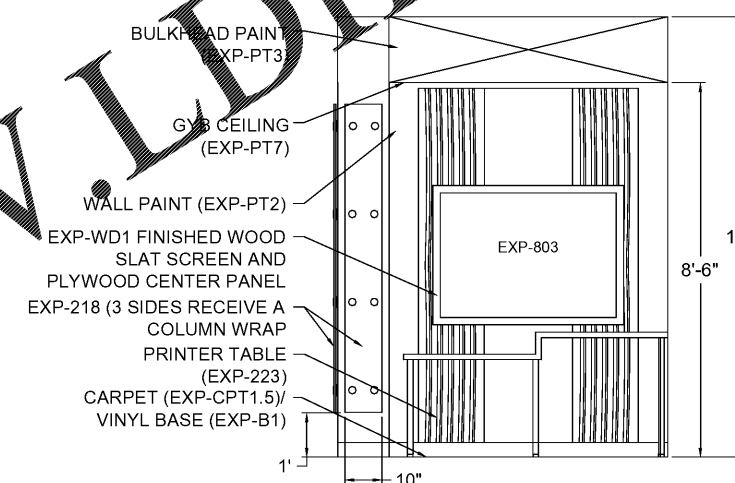
2 LOBBY ART SHELF ELEVATION  
SCALE: 1/2" = 1'-0"



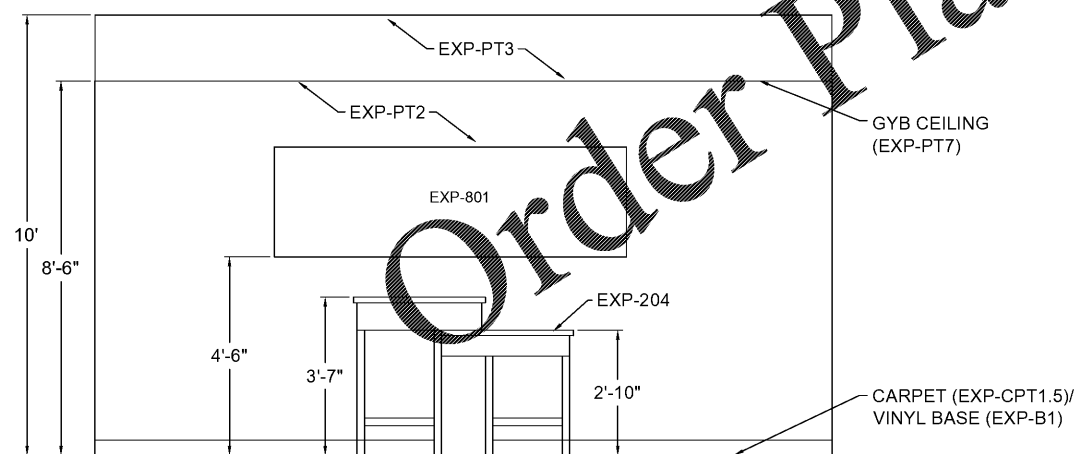
3 LOBBY TV ELEVATION  
SCALE: 1/2" = 1'-0"



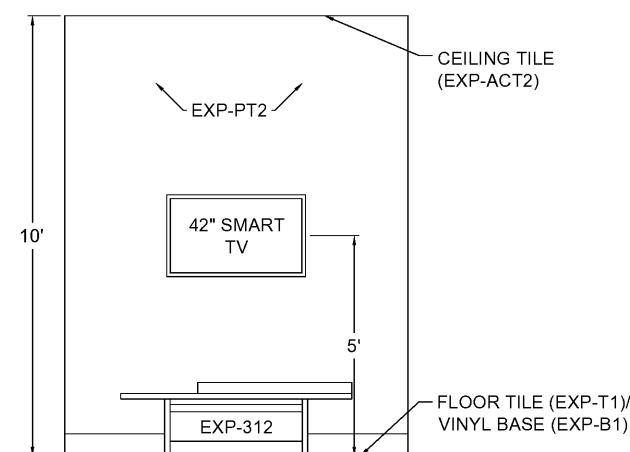
4 PRINTER TABLE SIDE ELEVATION  
SCALE: 1/2" = 1'-0"



5 PRINTER TABLE ELEVATION  
SCALE: 1/2" = 1'-0"



6 BUSINESS CENTER TABLE ELEVATION  
SCALE: 1/2" = 1'-0"



7 LOBBY SMART TV/ BENCH ELEVATION  
SCALE: 1/2" = 1'-0"