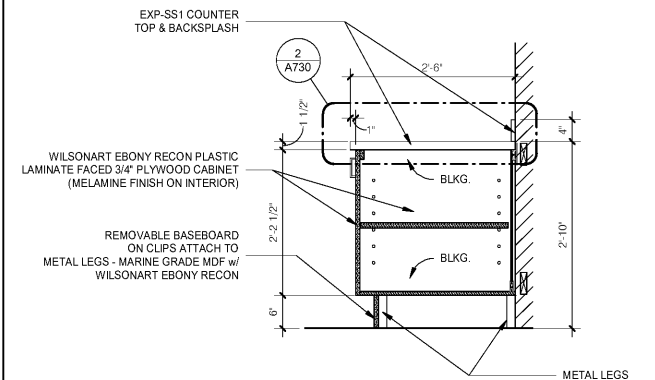
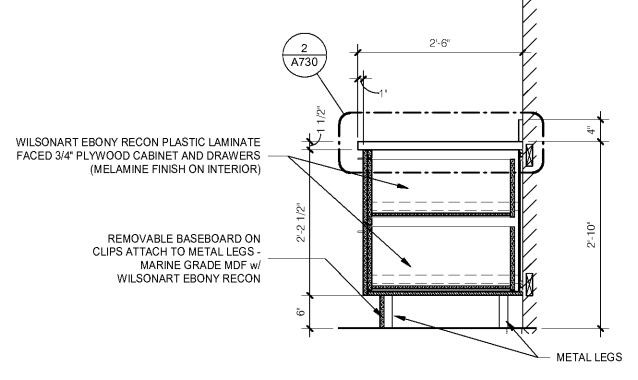


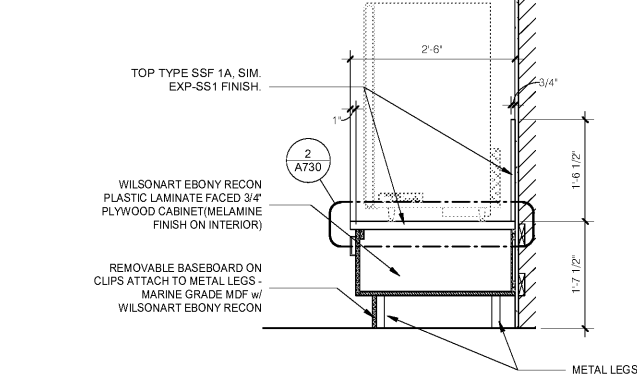
N:\Active Projects\hospitality\018 Holiday Inn Express - Wilson, NC\Drawings CAD-Rev\18-176.rvt



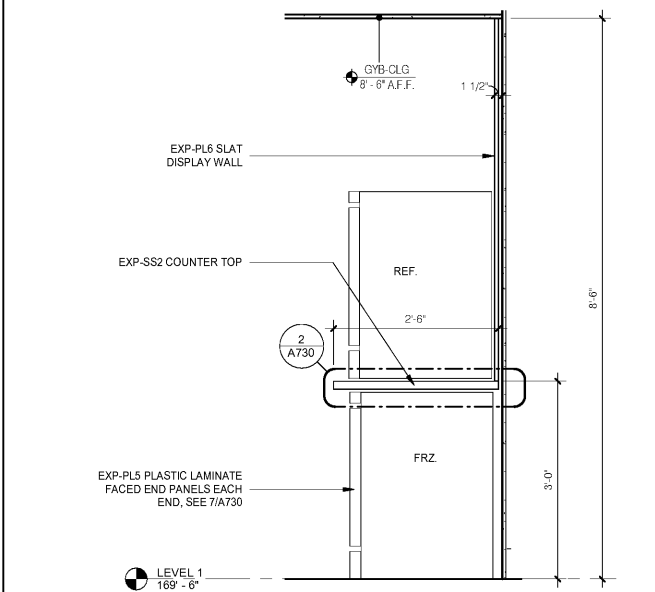
1 BREAKFAST COUNTER - SECTION @ ADJ. SHELVING
3/4" = 1'-0"



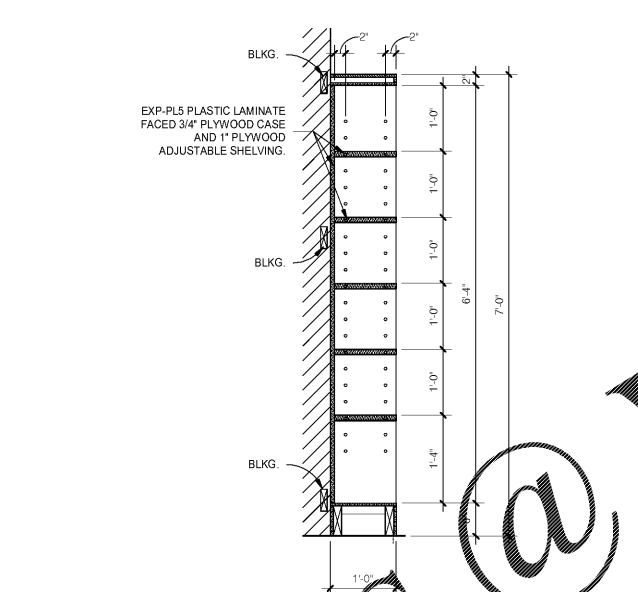
2 BREAKFAST COUNTER - SECTION @ DRAWERS
3/4" = 1'-0"



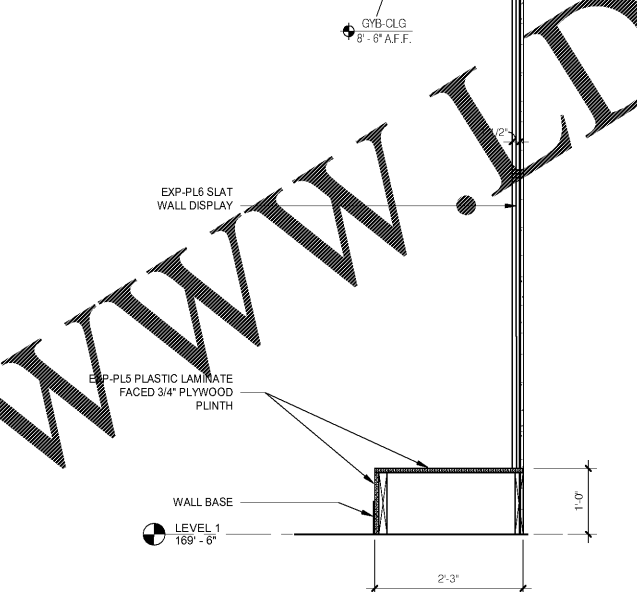
3 BREAKFAST COUNTER - SECTION @ REF.
3/4" = 1'-0"



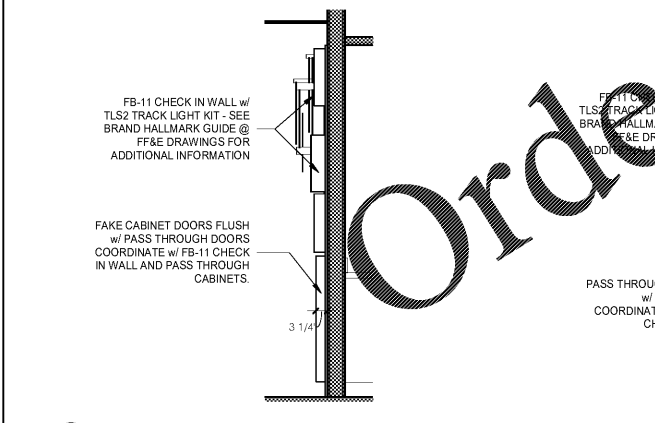
4 MARKET - SECTION THRU CABINET
3/4" = 1'-0"



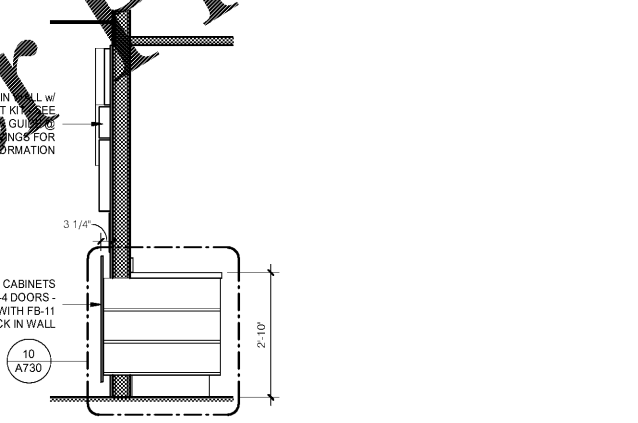
5 MARKET - SECTION THRU SHELVING
3/4" = 1'-0"



6 MARKET - SECTION THRU SLAT WALL
3/4" = 1'-0"



7 CHECK IN WALL SECTION 1
1/2" = 1'-0"



8 CHECK-IN WALL SECTION 2
1/2" = 1'-0"

WWW.LDILine.com

Order Plans @

No.	Description	Date

DISCLAIMER: PC is providing, by agreement with certain parties, materials stored electronically. The parties recognize that data, plans, specifications, reports, drawings, and other documents are subject to unauthorized alteration, copying, transmission, conversion, media degradation, software error or human alteration. Accordingly, all such documents are provided as a service and not as an end product or as a record document. Any reliance thereon is deemed to be the user's responsibility. The user shall retain hard copies of the Architect's instruments of service and the only true documents of record.

MEISTER-COX ARCHITECTS

INFO@MEISTER-COX.COM
 PHONE: 610-375-1331 FAX: 610-375-4655
 1522 PENN AVENUE WYOMISSING, PA 19610
 WWW.MEISTER-COX.COM

PUBLIC AREA CASEWORK & MILLWORK DETAILS

HOLIDAY INN EXPRESS & SUITES
 INTERSECTION OF HAYNES PLACE & LAMM RD.
 WILSON, NC 27893

STATUS:	BIDDING
PROJ. DATE:	06-07-19
PROJ. NO.:	18-176
PRINTED:	6/7/2019 7:12:28 PM
DRAWN BY:	Author
CHECKED BY:	Checker
SHEET NO.:	A734
SCALE:	As indicated

