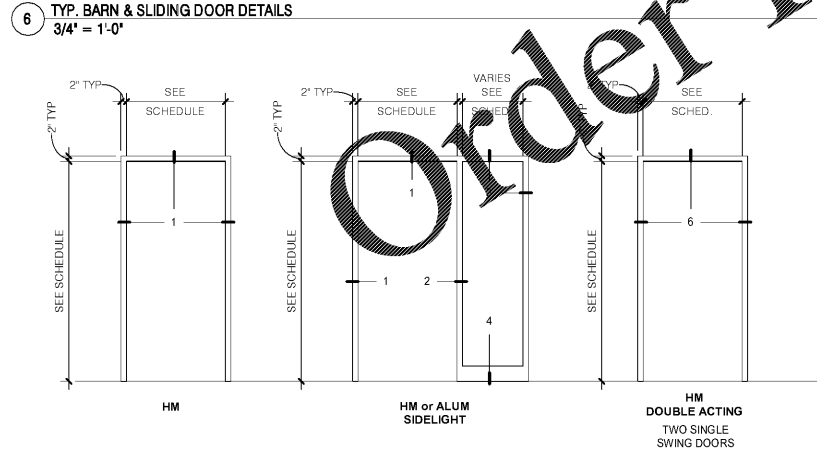
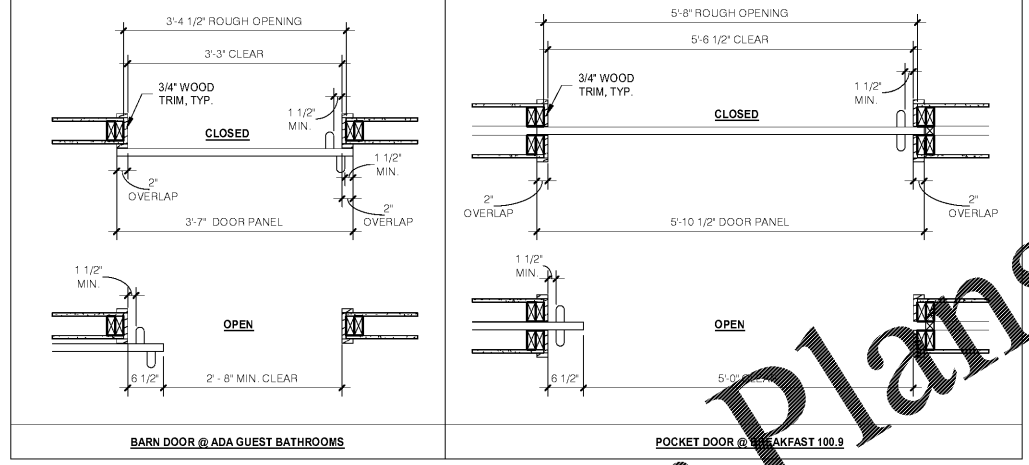


N:\Active Projects\hospitality\018 Holiday Inn Express - Wilson, NC\Drawings CAD-Rev\18-176.rvt

DOOR PRODUCT SELECTION SCHEDULE

Accessories: Coat hook. See building and bathroom accessories CH-1.
Accessories: Swing door guard, peep hole viewer and cover, 1 each per door.
Peep hole: Hamer Hardware 31858 US26 Bright Chrome.
Peep hole cover: Safemark Systems, 3peyguard stationary peephole cover, Color: Polished chrome with bar design.
Swing door guard: Hamer Hardware 33090 US15 satin nickel finish. Mount at ADA accessible 48" AFL.

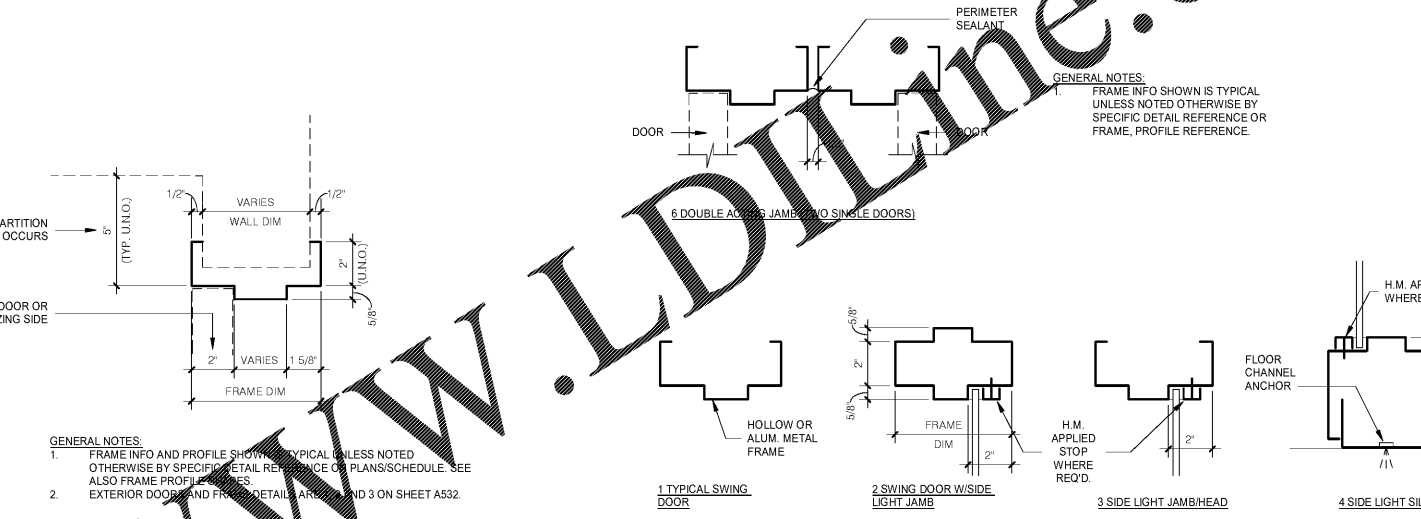
Exit Device: Rim type Exit device.
Exterior doors, Von Duprin HH927 to indicate Hurricane Hardware.
Exterior doors with card reader access, Von Duprin HH927 Rim type Exit device. Electronic latchset for RFID card reader entry.
Interior doors, Von Duprin 99 Series with lever to match latchsets.
Frames: Republic MH series mitered or Amweld 2600/600 or 4600 series steel door frames. Provide rubber mule door sillencers.
Gaskets: Weather stripping/Fire/Smoke, Pemko S88 1 set for single leaf door. Set also for acoustic control.



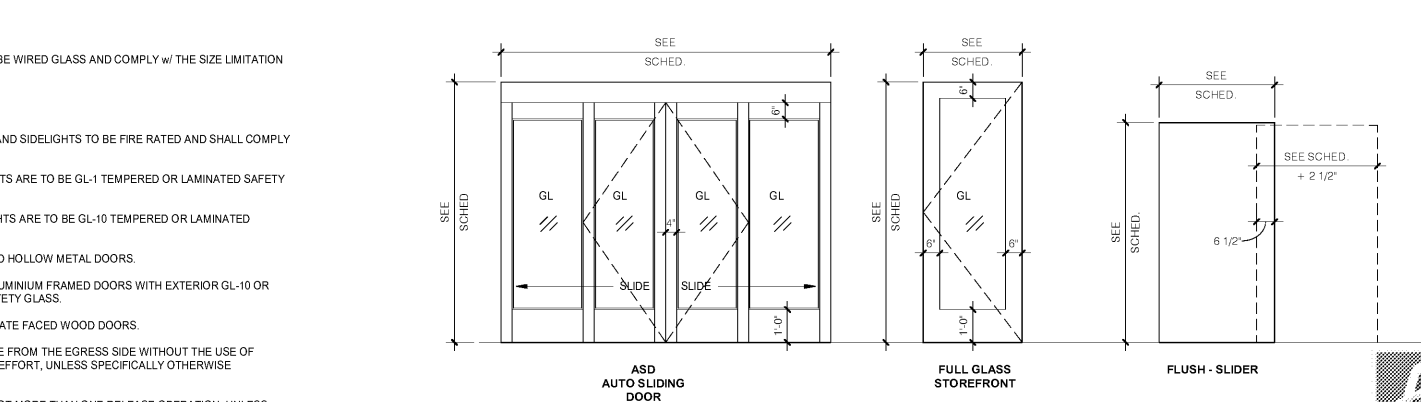
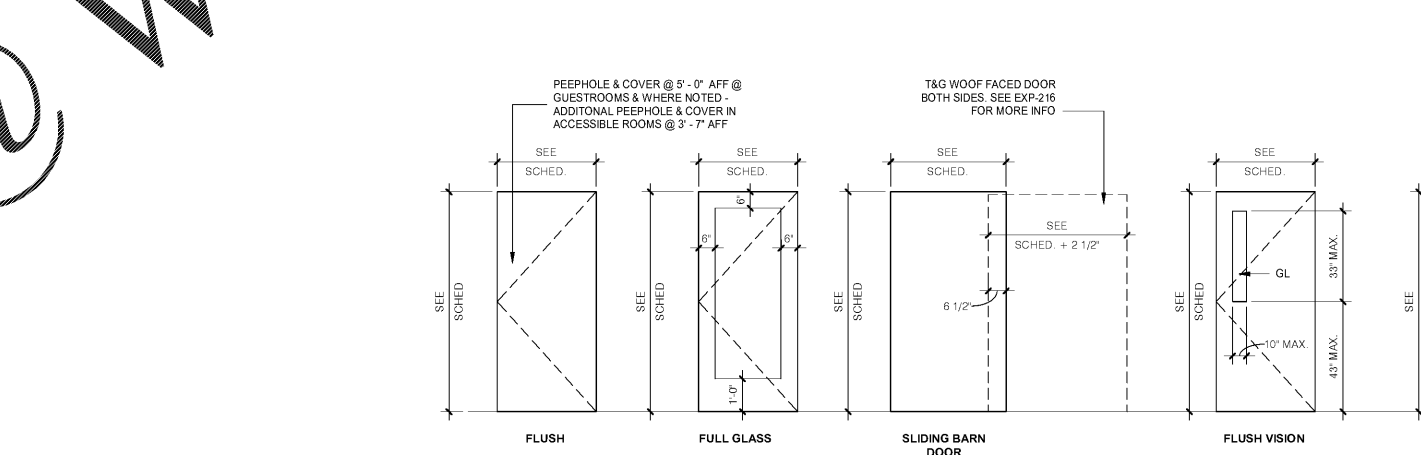
4 DOOR FRAME TYPES 3/8" = 1'-0"

NOTE: GLASS IN 1 1/2" HR. RATED VISION DOORS TO BE WIRED GLASS AND COMPLY w/ THE SIZE LIMITATION OF TABLE 715.5.4
MAX. HEIGHT: 33"
MAX. WIDTH: 10'
MAX. AREA: 100' SQ.

3 DOOR HARDWARE ELEVATIONS 1/2" = 1'-0"



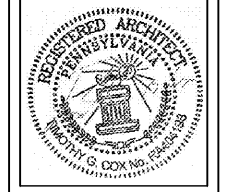
1 TYP HOLLOW METAL FRAME INFO 3" = 1'-0"



5 DOOR PANEL TYPES 3/8" = 1'-0"

Table with columns: No., Description, Date

MEISTER COX ARCHITECTS
INFO@MEISTERCOX.COM
PHONE: 610-375-1331 FAX: 610-375-4655
1622 PENN AVENUE WYOMISSING, PA 19110
WWW.MEISTERCOX.COM



DOOR LEGENDS AND DETAILS
HOLIDAY INN EXPRESS & SUITES
INTERSECTION OF HAYNES PLACE & LAMM RD.
WILSON, NC 27893

Table with columns: STATUS, PROJ. DATE, PROJ. NO., PRINTED, DRAWN BY, CHECKED BY, SHEET NO., SCALE.

