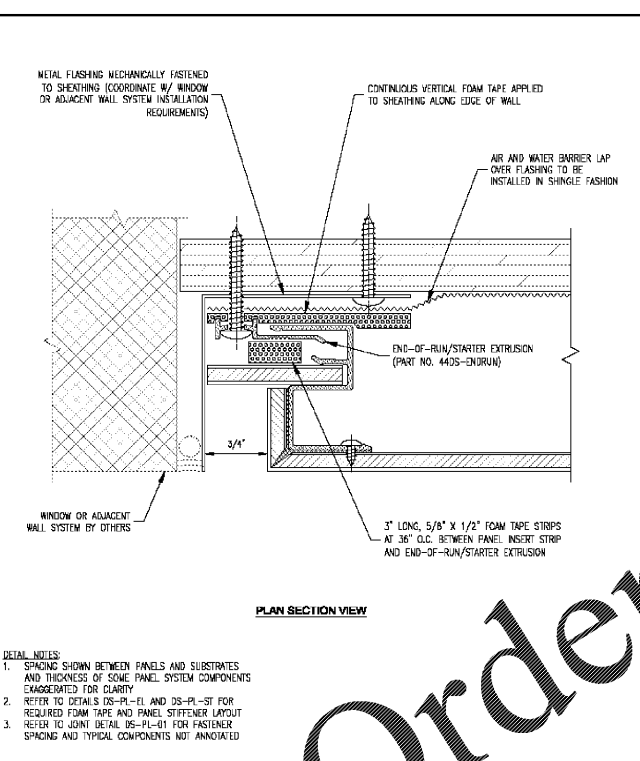
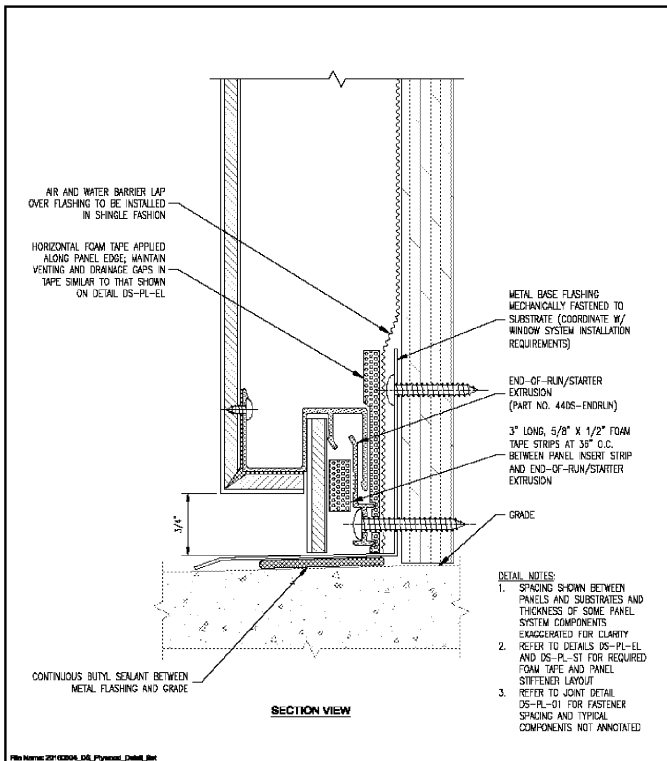


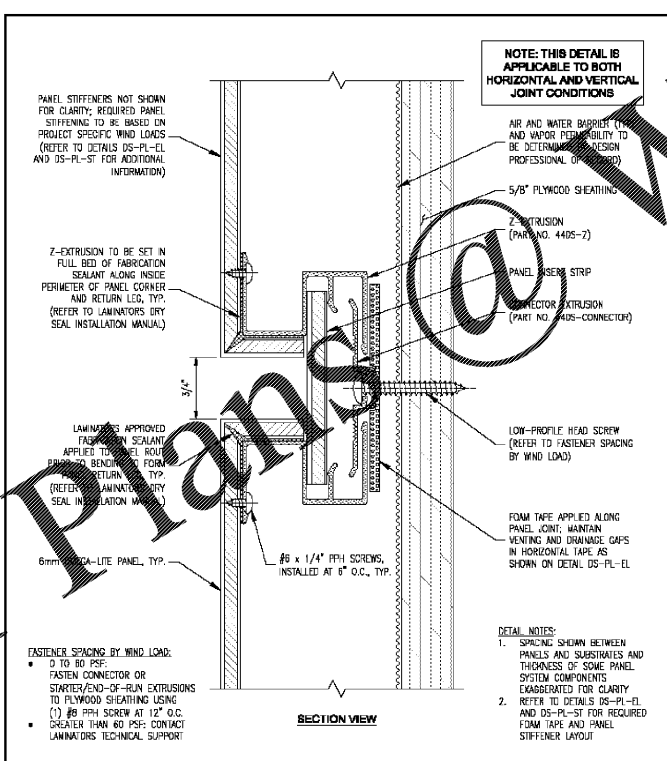
OMEGA PANEL PRODUCTS LAMINATORS INC. www.LaminatorsInc.com 877.OMEGA.77		PARTIAL SYSTEM ELEVATION DRY SEAL INSTALLATION SYSTEM OVER PLYWOOD SHEATHING	
Date: 04/2016	Drawn By: JLM	Des. No.: DS-PL-EL	Rev: 01



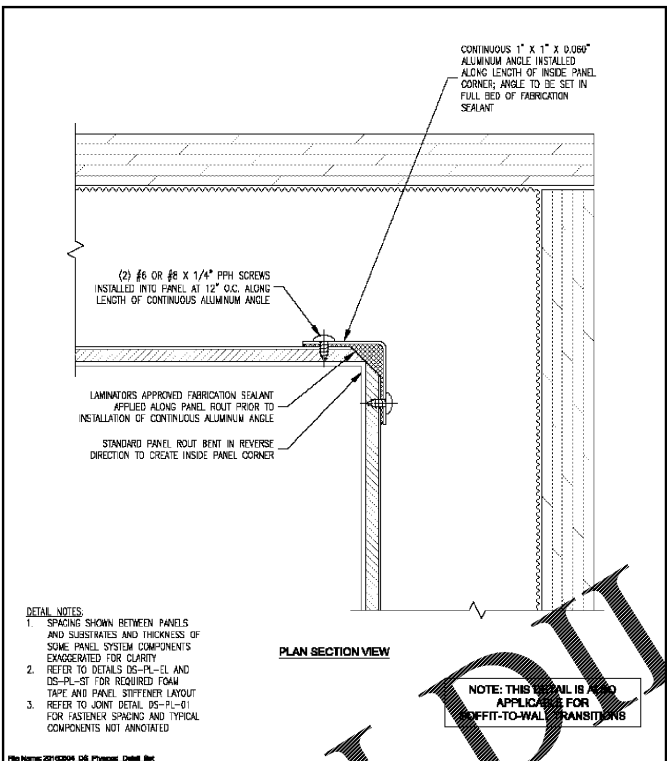
OMEGA PANEL PRODUCTS LAMINATORS INC. www.LaminatorsInc.com 877.OMEGA.77		TYPICAL JAMB / END-OF-RUN DETAIL DRY SEAL INSTALLATION SYSTEM OVER PLYWOOD SHEATHING	
Date: 04/2016	Drawn By: JLM	Des. No.: DS-PL-JA	Rev: 01



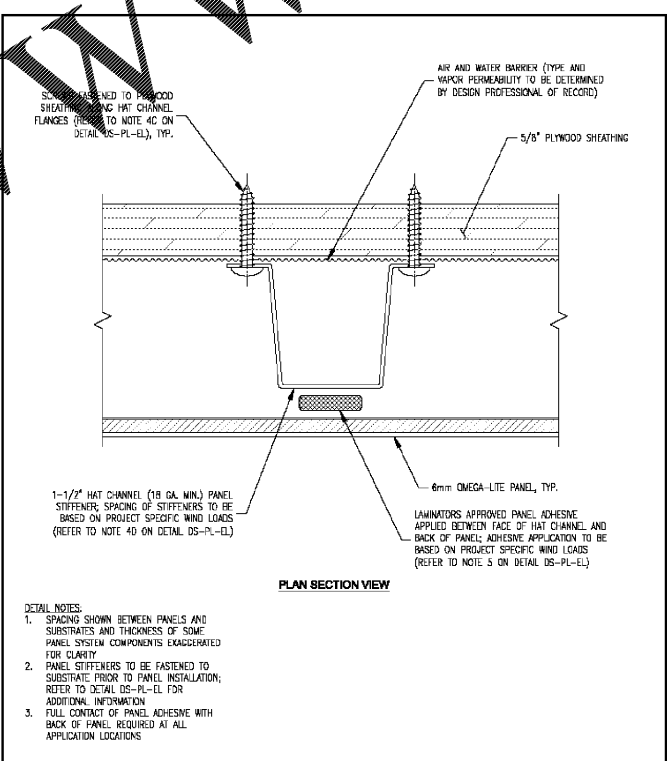
OMEGA PANEL PRODUCTS LAMINATORS INC. www.LaminatorsInc.com 877.OMEGA.77		TYPICAL GRADE DETAIL DRY SEAL INSTALLATION SYSTEM OVER PLYWOOD SHEATHING	
Date: 04/2016	Drawn By: JLM	Des. No.: DS-PL-GB	Rev: 01



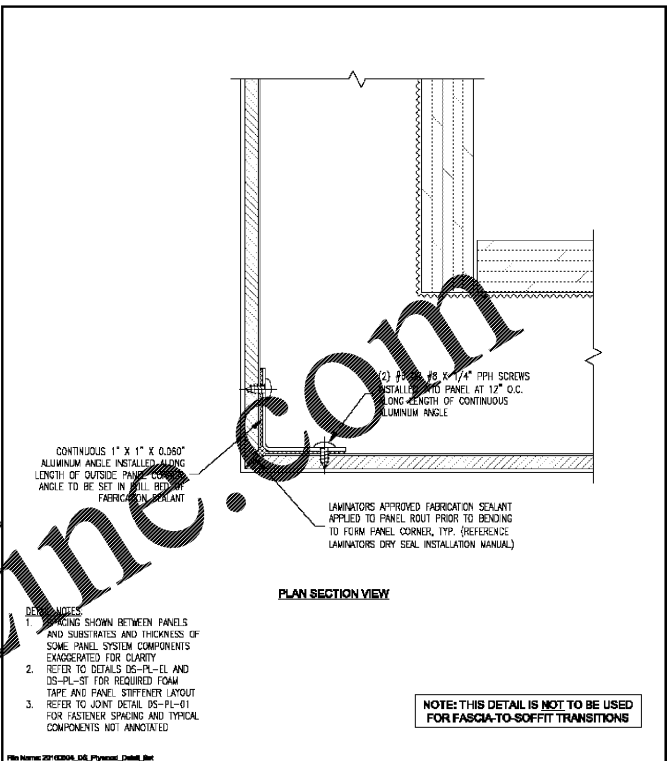
OMEGA PANEL PRODUCTS LAMINATORS INC. www.LaminatorsInc.com 877.OMEGA.77		TYPICAL JOINT DETAIL DRY SEAL INSTALLATION SYSTEM OVER PLYWOOD SHEATHING	
Date: 04/2016	Drawn By: JLM	Des. No.: DS-PL-JI	Rev: 01



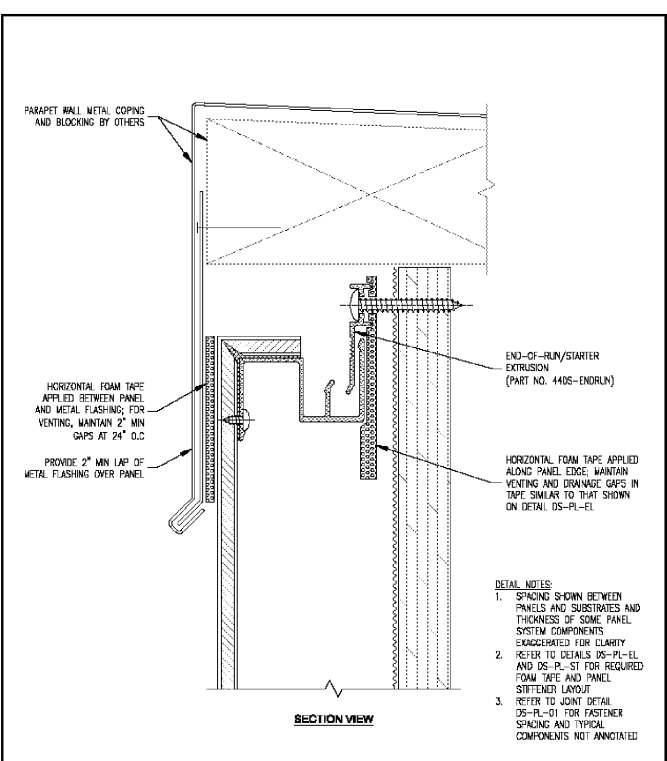
OMEGA PANEL PRODUCTS LAMINATORS INC. www.LaminatorsInc.com 877.OMEGA.77		TYPICAL INSIDE CORNER DETAIL DRY SEAL INSTALLATION SYSTEM OVER PLYWOOD SHEATHING	
Date: 04/2016	Drawn By: JLM	Des. No.: DS-PL-IC	Rev: 01



OMEGA PANEL PRODUCTS LAMINATORS INC. www.LaminatorsInc.com 877.OMEGA.77		TYPICAL PANEL STIFFENER DETAIL DRY SEAL INSTALLATION SYSTEM OVER PLYWOOD SHEATHING	
Date: 04/2016	Drawn By: JLM	Des. No.: DS-PL-ST	Rev: 01



OMEGA PANEL PRODUCTS LAMINATORS INC. www.LaminatorsInc.com 877.OMEGA.77		TYPICAL OUTSIDE CORNER DETAIL DRY SEAL INSTALLATION SYSTEM OVER PLYWOOD SHEATHING	
Date: 04/2016	Drawn By: JLM	Des. No.: DS-PL-OC	Rev: 01



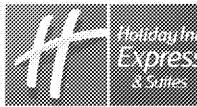
OMEGA PANEL PRODUCTS LAMINATORS INC. www.LaminatorsInc.com 877.OMEGA.77		TYPICAL PARAPET DETAIL DRY SEAL INSTALLATION SYSTEM OVER PLYWOOD SHEATHING	
Date: 04/2016	Drawn By: JLM	Des. No.: DS-PL-PS	Rev: 01

No.	Description	Date

MEISTER COX ARCHITECTS
 INFO@MEISTERCOX.COM
 PHONE: 610-375-1331 FAX: 610-375-4655
 1622 PENN AVENUE WYOMISSING, PA 19380
 WWW.MEISTERCOX.COM

TYPICAL OMEGA-LITE PANEL DETAILS
 HOLIDAY INN EXPRESS & SUITES
 INTERSECTION OF HAYNES PLACE & LAMM RD.
 WILSON, NC 27893

STATUS:	BIDDING
PROJ. DATE:	06-07-19
PROJ. NO.	18-176
PRINTED:	6/7/2019 7:12:18 PM
DRAWN BY:	Author
CHECKED BY:	Checker
SHEET NO.	A704
SCALE:	1/2" = 1'-0"



N:\Active Projects\hospitality\2018 Holiday Inn Express - Wilson, NC\Drawings CAD-Rev\18-176.rvt