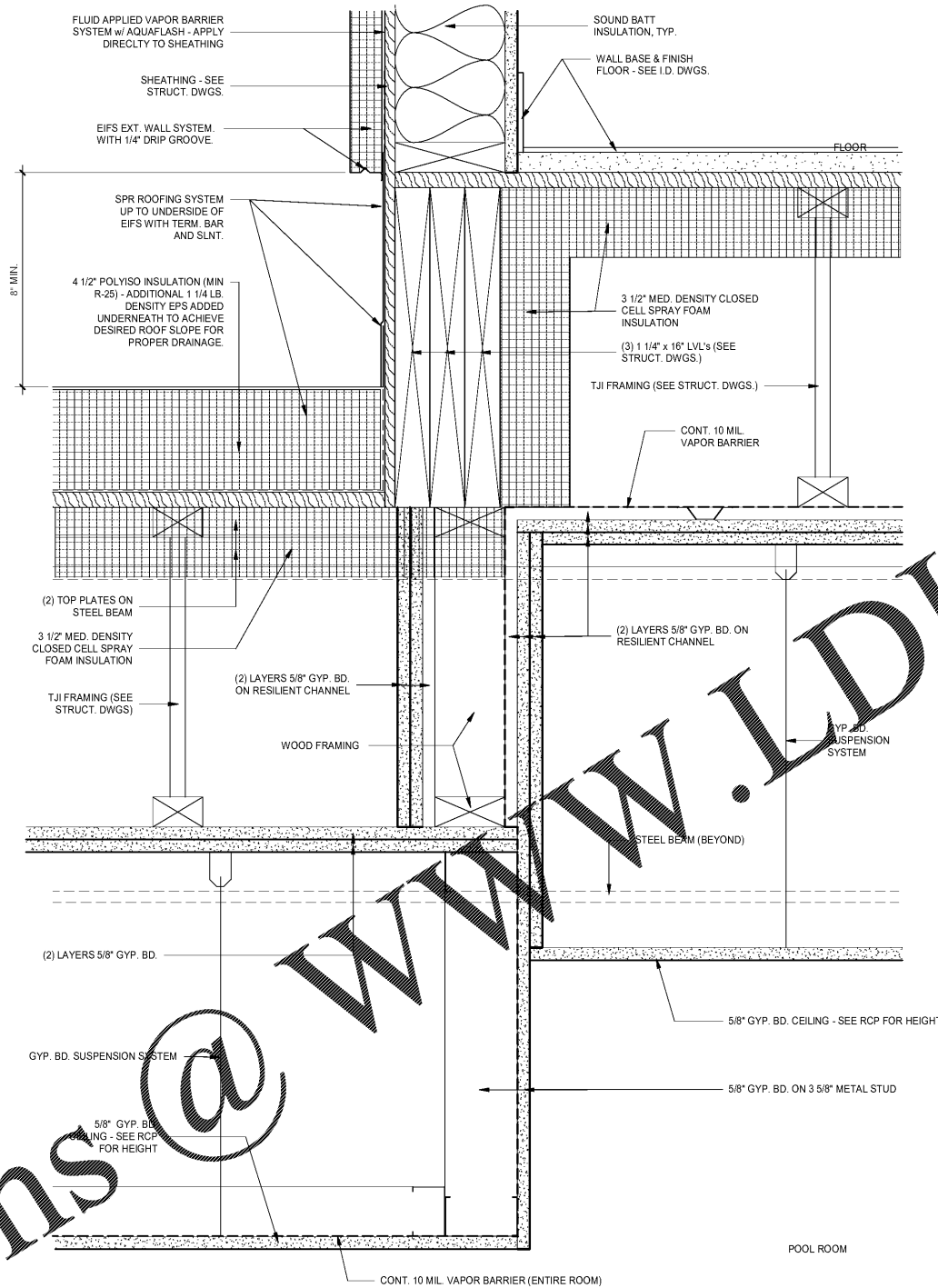
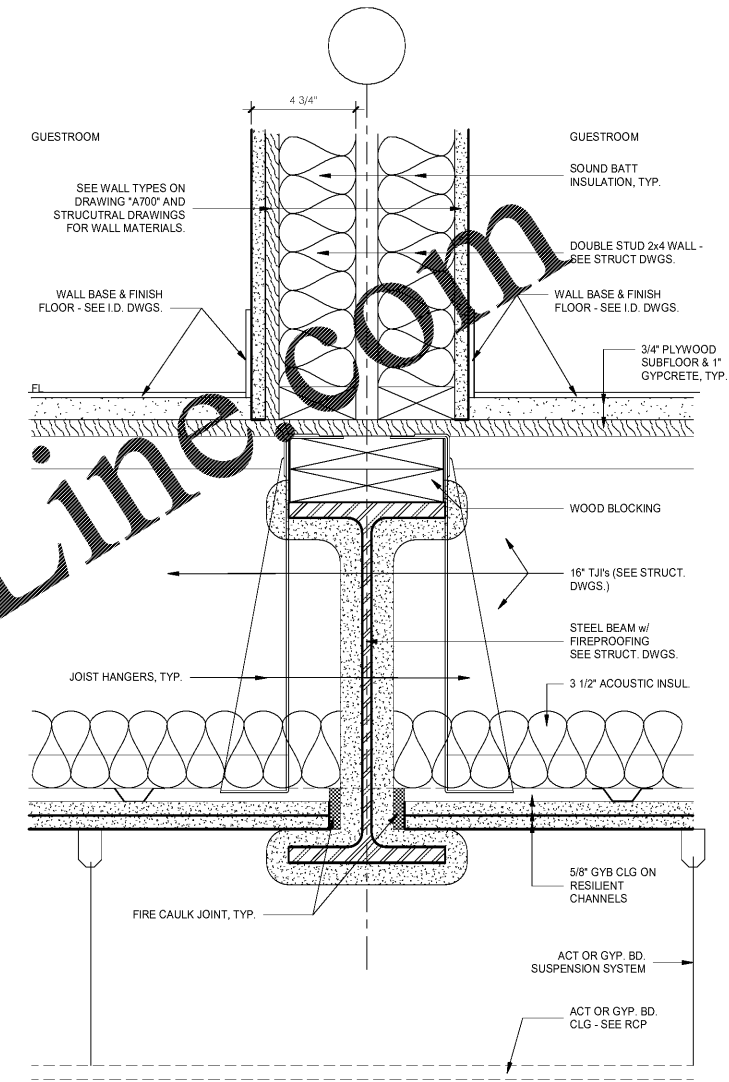


1 TYPICAL STEEL BEAM DETAIL AT POOL
3' = 1'-0"



2 EXTERIOR WALL/ROOF POOL BUMP OUT
3' = 1'-0"



3 TYPICAL STEEL BEAM WRAP DETAIL (NOT AT POOL)
3' = 1'-0"

- CONSTRUCTION NOTES:**
- EIFS THICKNESS IS TYPICALLY 1 3/4" WHERE INDICATED ON EXTERIOR ELEVATION AS EIFS 2, ADJUST DETAIL FOR EIFS THICKNESS 3 1/4". SEE ALSO EIFS TRANSITION DETAILS FOR ADDITIONAL INFORMATION.
 - SEE WALL TYPE DETAILS FOR ADDITIONAL INFORMATION. STAIR AND ELEVATOR WALLS REQUIRE 2 HOUR RATED ASSEMBLIES.
 - EIFS SYSTEM SHALL BE INSTALLED WITH A MOISTURE DRAINAGE SYSTEM. SEE DRAWING A701 AND A702. SUBMIT MANUFACTURER INFORMATION WITH MOISTURE DRAINAGE DETAILS TO CODE OFFICIAL FOR REVIEW.
 - THIN BRICK CLADDING SHALL UTILIZE INTEGRAL DRAINAGE CHAMBER WITH THIN TECH AIR VENT AND FLASHING. REFER TO MANUFACTURER DETAILS FOR MORE INFORMATION.
 - USE OF BATT INSULATION OR LOOSE FILL INSULATION AT POOL IS PROHIBITED. USE MED. DENSITY CLOSED CELL SPRAY FOAM INSULATION.

Order Plans @ WWW.I.D.I.Line.com

No.	Description	Date

DISCLAIMER: PC is providing, by agreement with certain parties, materials stored electronically. The parties recognize that data, plans, specifications, reports, drawings, and other documents are subject to alteration, deletion, or modification. All documents are subject to verification, correction, transmission, conversion, media degradation, software error or human alteration. Accordingly, all such documents are provided as a guide only and are not to be used for legal purposes only and not as an end product or as a record document. Any reliance thereon is deemed to be the user's responsibility. The Architect's instruments of service are the only true documents of record.

MEISTER-COX ARCHITECTS
 INFO@MEISTER-COX.COM
 PHONE: 610-375-1331 FAX: 610-375-4655
 1522 PENN AVENUE WYOMISSING, PA 19310
 WWW.MEISTER-COX.COM

STEEL BEAM WRAP & POOL BUMP OUT DETAILS
 HOLIDAY INN EXPRESS & SUITES
 INTERSECTION OF HAYNES PLACE & LAMM RD.
 WILSON, NC 27893

STATUS: BIDDING
 PROJ. DATE: 06-07-19
 PROJ. NO: 18-176
 PRINTED: 6/7/2019 7:12:00 PM
 DRAWN BY: RFF
 CHECKED BY: TGC
 SHEET NO. A543
 SCALE: 3" = 1'-0"

