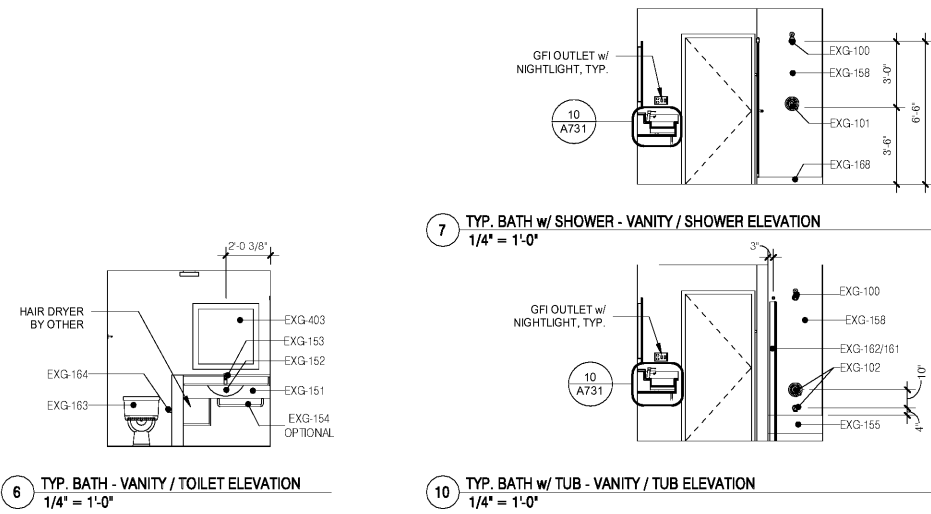
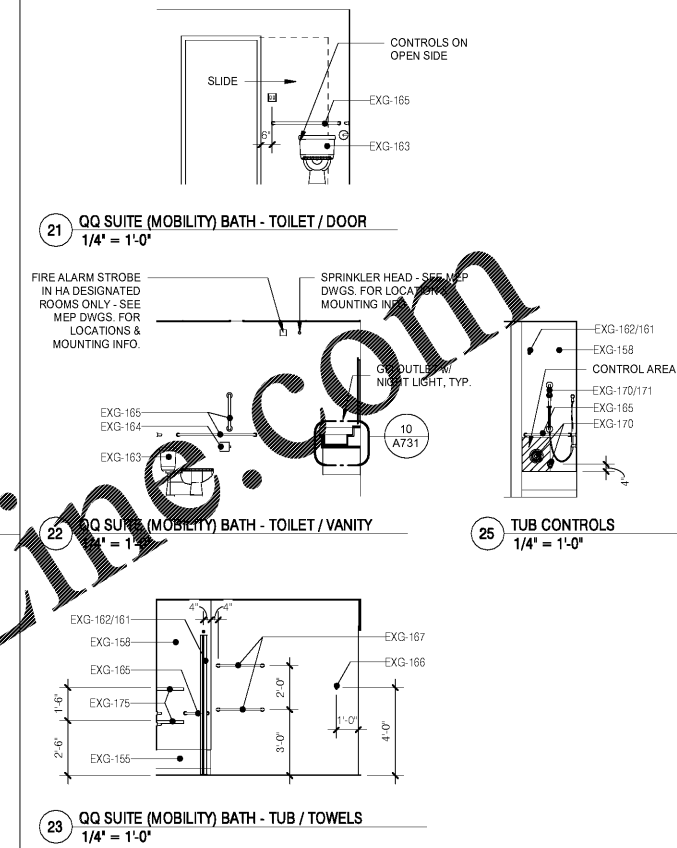


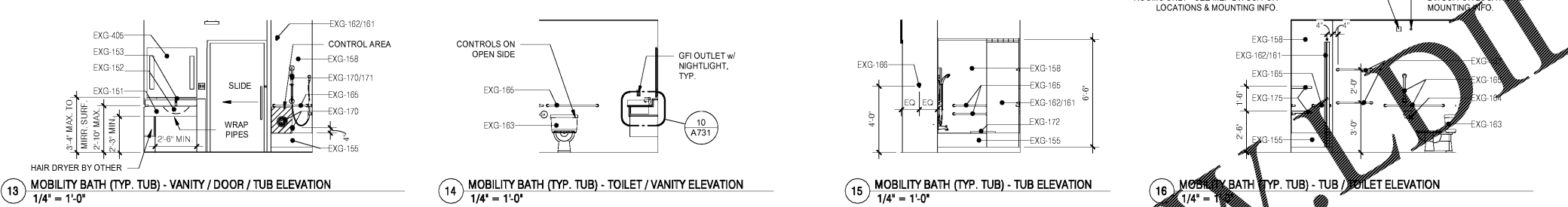
TYPICAL BATHROOM w/ TUB OR SHOWER



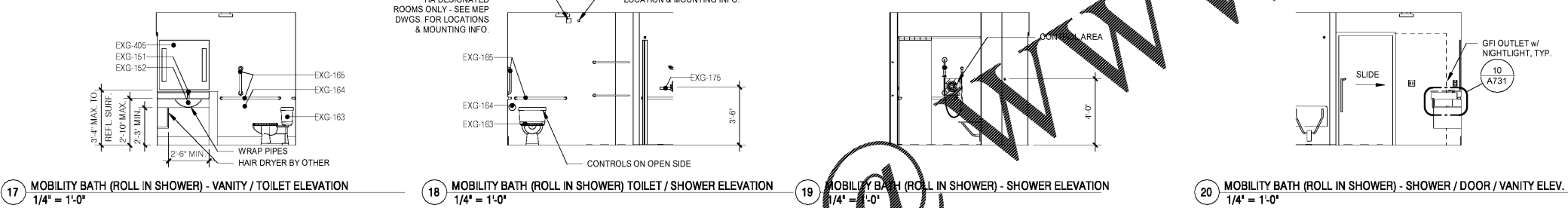
MOBILITY BATHROOM w/ TUB @ QQ SUITE (MOBILITY)



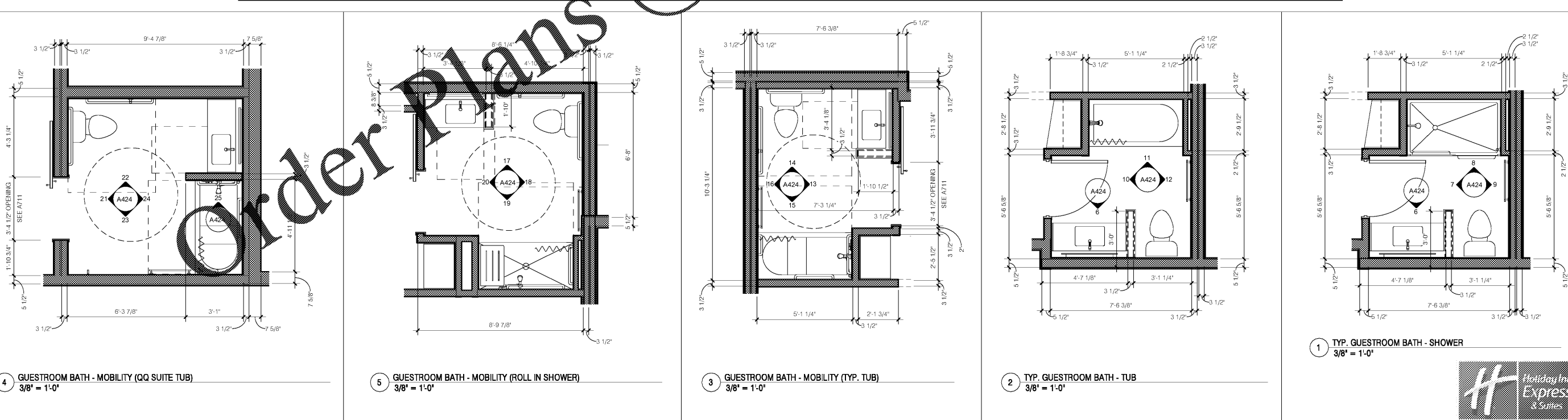
MOBILITY BATHROOM w/ TUB (TYP. ALL LOCATIONS, EXCEPT MOBILITY QQ SUITE)



MOBILITY BATHROOM w/ ROLL IN SHOWER



NOTE: AT MOBILITY ROOMS, REFER TO DRAWING A400 AND ADA SHEET FOR GRAB BAR SIZES AND LOCATIONS, AND ACCESSORY MOUNTING HEIGHTS AND LOCATIONS.



No.	Description	Date

DISCLAIMER: PC is providing, by agreement with certain parties, materials (electronic, printed, or otherwise) for informational purposes only. These materials are not to be used for any purpose other than that intended. PC is not responsible for any errors or omissions in these materials. PC is not responsible for any damages, including consequential, special, or punitive damages, arising from the use of these materials. PC is not responsible for any damages, including consequential, special, or punitive damages, arising from the use of these materials. PC is not responsible for any damages, including consequential, special, or punitive damages, arising from the use of these materials.

MEISTER COX ARCHITECTS

INFO@MEISTER-COX.COM
PHONE: 610-375-1331 FAX: 610-375-4655
1522 PENN AVENUE WYOMISSING, PA 19380
WWW.MEISTER-COX.COM

GUESTROOM BATHROOM PLANS & ELEVATIONS

HOLIDAY INN EXPRESS & SUITES

INTERSECTION OF HAYNES PLACE & LAMM RD.
WILSON, NC 27893

STATUS: BIDDING

PROJ. DATE: 06-07-19

PROJ. NO: 18-176

PRINTED: 6/7/2019 7:11:22 PM

DRAWN BY: Author

CHECKED BY: Checker

SHEET NO. **A424**

SCALE: As indicated

N:\Active Projects\hospitality\2018 Holiday Inn Express - Wilson, NC\Drawings CAD-Rev\18-176.rvt