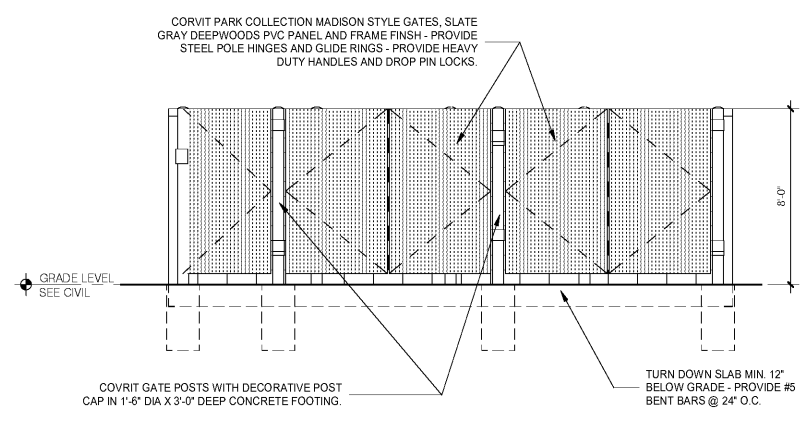
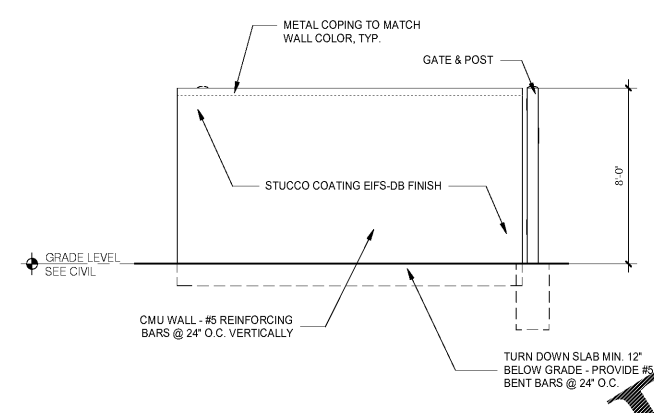


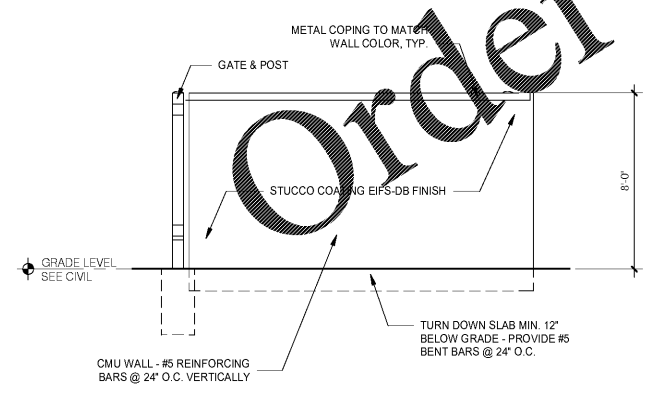
2 GARBAGE ENCLOSURE - NORTH  
1/4" = 1'-0"



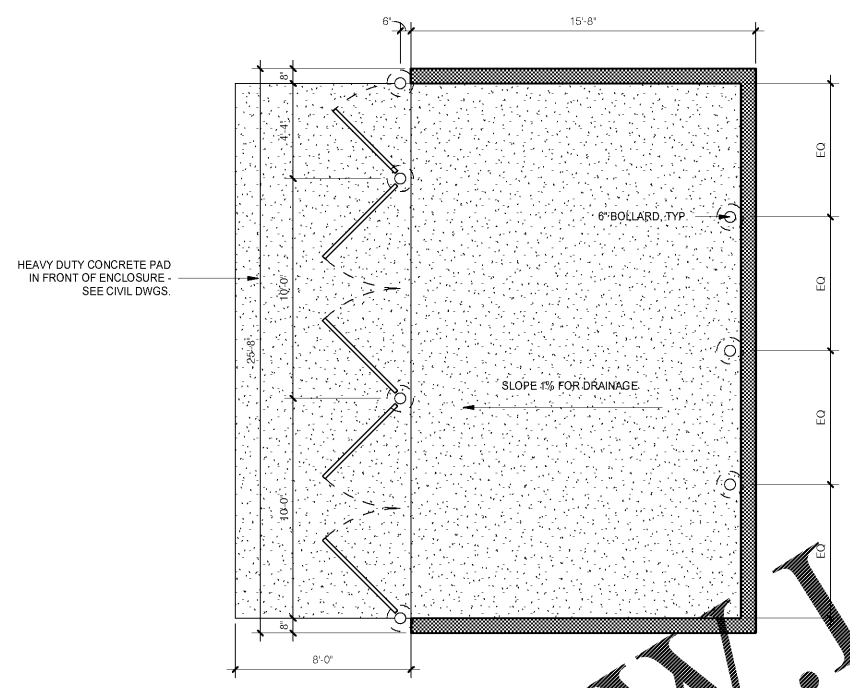
3 GARBAGE ENCLOSURE - SOUTH  
1/4" = 1'-0"



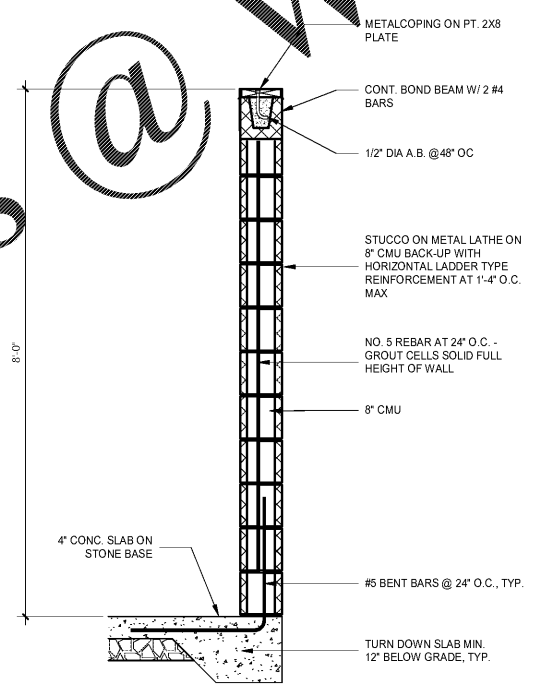
4 GARBAGE ENCLOSURE - EAST  
1/4" = 1'-0"



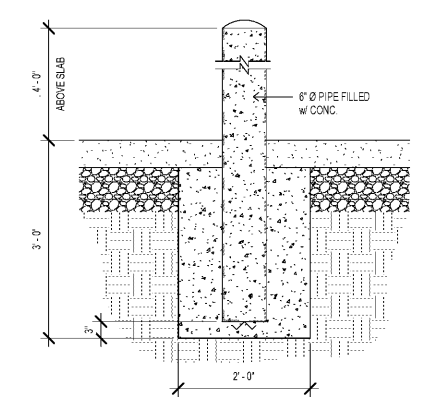
5 GARBAGE ENCLOSURE - WEST  
1/4" = 1'-0"



1 DUMPSTER ENCLOSURE PLAN  
1/4" = 1'-0"



6 WALL SECTION @ DUMPSTER  
3/4" = 1'-0"



7 TYP. BOLLARD DETAIL  
3/4" = 1'-0"

N:\Active Projects\hospitality\018 Holiday Inn Express - Wilson, NC\Drawings CAD-Rev\18-176.rvt

Order Plans @ [www.LDILine.com](http://www.LDILine.com)

No.	Description	Date

DISCLAIMER: LDILine, PC is providing, by agreement with certain parties, materials stored electronically. The parties recognize that data, plans, specifications, reports, drawings, and other documents are subject to modification, alteration, deletion, or destruction without notice. LDILine, PC and its affiliates are not responsible for any software error or human alteration. Accordingly, all such documents are provided as a service and not as a record. Any reliance thereon is deemed to be at the user's risk. LDILine, PC and its affiliates are not responsible for any loss of data or documents. Services are the only true documents of record.

**MEISTER-COX ARCHITECTS**  
 INFO@MEISTER-COX.COM  
 PHONE: 610-375-1331 FAX: 610-375-4655  
 1522 PENN AVENUE WYOMISSING, PA 19380  
 WWW.MEISTER-COX.COM

DUMPSTER PLANS, SECTION AND ELEVATIONS  
 HOLIDAY INN EXPRESS & SUITES  
 INTERSECTION OF HAYNES PLACE & LAMM RD.  
 WILSON, NC 27893

STATUS: BIDDING  
 PROJ. DATE: 06-07-19  
 PROJ. NO: 18-176  
 PRINTED: 6/7/2019 7:11:06 PM  
 DRAWN BY: RFF  
 CHECKED BY: TGC  
 SHEET NO. A408  
 SCALE: As indicated

