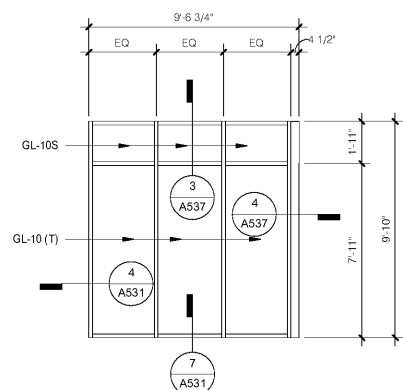
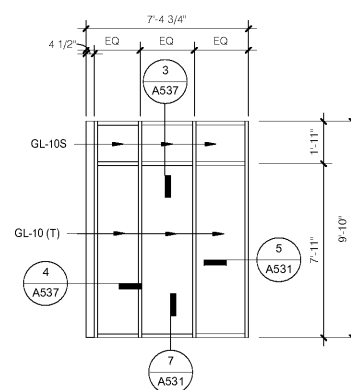


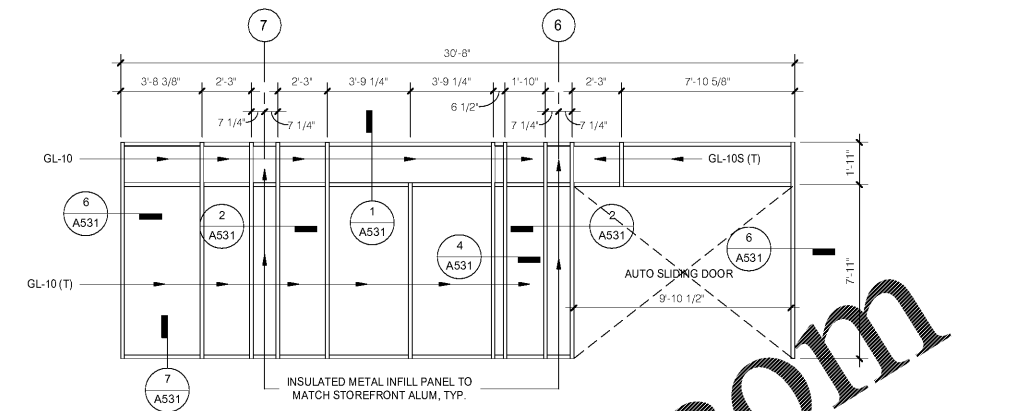
1 STOREFRONT TYPE SF1  
1/4" = 1'-0"



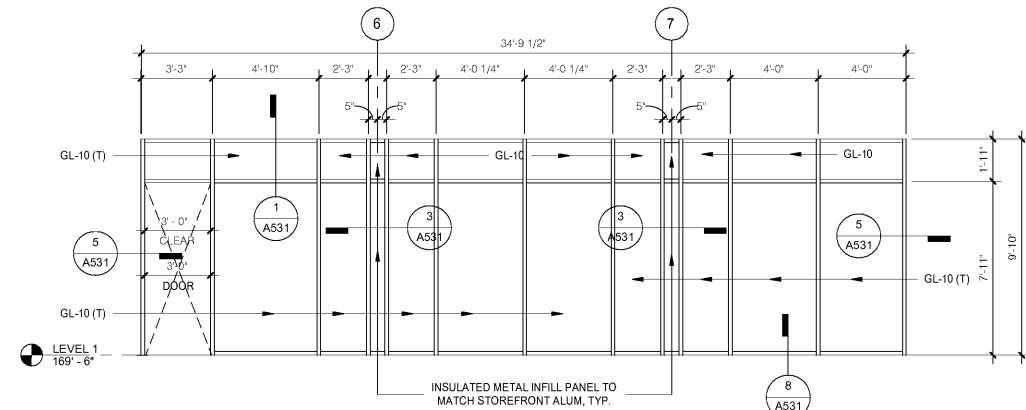
2 STOREFRONT TYPE SF2  
1/4" = 1'-0"



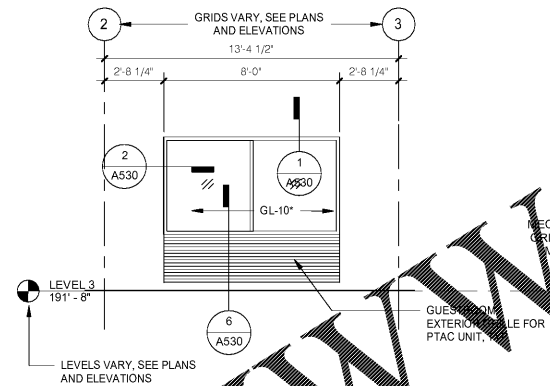
3 STOREFRONT TYPE SF3  
1/4" = 1'-0"



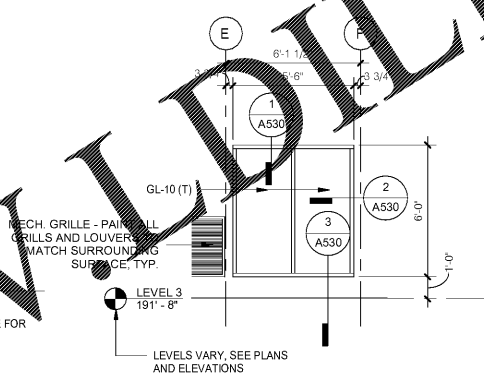
4 STOREFRONT TYPE SF4  
1/4" = 1'-0"



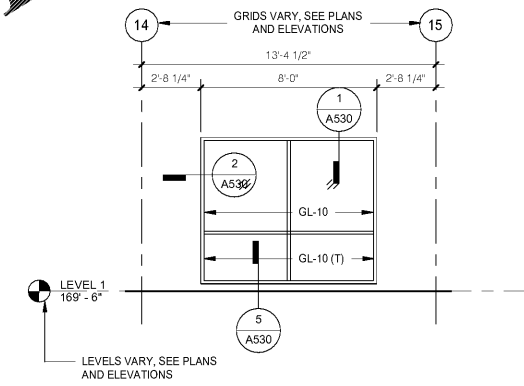
5 STOREFRONT TYPE SF5  
1/4" = 1'-0"



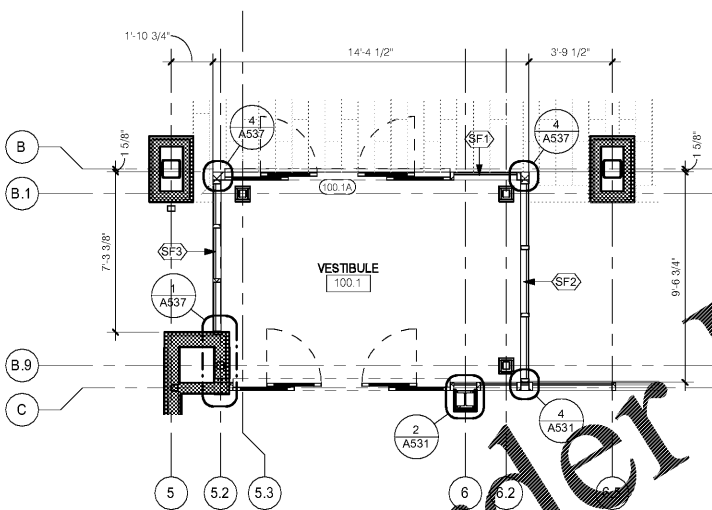
6 WINDOW TYPE W1  
1/4" = 1'-0"



7 WINDOW TYPE W2  
1/4" = 1'-0"



8 WINDOW TYPE W3  
1/4" = 1'-0"



9 ENLARGED VESTIBULE PLAN  
1/4" = 1'-0"

- WINDOW NOTES:**
- AT NON-GUESTROOM WINDOWS DETAILS ARE SIMILAR, OMIT PTAC UNIT, ROLLER SHADE AND PLAM COVERS. PROVIDE FLUSH FINISHED GYB. PROVIDE WDW SILL PER A530/3.
  - GUESTROOM WINDOWS TO BE KAWNEER ENCORE 4 1/2" X 1 3/4" FRAMING SYSTEM OR QUAKER EMERG E300 SERIES WINDOW. COLOR: CLEAR ANODIZED ALUMINIUM EXTERIOR, INTERIOR AND SILL FLASHING.
  - AT INTERIOR WINDOWS, PROVIDE GL-1
  - ALL INTERIOR AND EXTERIOR WINDOWS ARE FIXED TYPE W NO OPERABLE PANELS.
  - PROVIDE SAFETY TEMPERED GLAZING AT POOL WINDOWS, TYP.

**SECTION 2406 SAFETY GLAZING.**

**2406.1 HUMAN IMPACT LOADS.**

INDIVIDUAL GLAZED AREAS, INCLUDING GLASS MIRRORS, IN HAZARDOUS LOCATIONS AS DEFINED IN SECTION 2406.4 SHALL COMPLY WITH SECTIONS 2406.1.1 THROUGH 2406.1.4.  
EXCEPTION: MIRRORS AND OTHER GLASS PANELS MOUNTED OR HUNG ON A SURFACE THAT PROVIDES A CONTINUOUS BACKING SUPPORT.

**2406.1.1 IMPACT TEST.**  
EXCEPT AS PROVIDED IN SECTIONS 2406.1.2 THROUGH 2406.1.4, ALL GLAZING SHALL PASS THE IMPACT TEST REQUIREMENTS OF SECTION 2406.2.

**2406.1.2 PLASTIC GLAZING.**  
PLASTIC GLAZING SHALL MEET THE WEATHERING REQUIREMENTS OF ANSI Z97.1.

**2406.1.3 GLASS BLOCK.**  
GLASS-BLOCK WALLS SHALL COMPLY WITH SECTION 2101.2.5.  
**2406.1.4 LOUVERED WINDOWS AND JALOUSIES.**

LOUVERED WINDOWS AND JALOUSIES SHALL COMPLY WITH SECTION 2403.5.  
**2406.2 IMPACT TEST.**  
WHERE REQUIRED BY OTHER SECTIONS OF THIS CODE, GLAZING SHALL BE TESTED IN ACCORDANCE WITH CPSC 16 CFR PART 1201. GLAZING SHALL COMPLY WITH THE TEST CRITERIA FOR CATEGORY II, UNLESS OTHERWISE INDICATED IN TABLE 2406.2(1).  
EXCEPTION: GLAZING NOT IN DOORS OR ENCLOSURES FOR HOT TUBS, WHIRLPOOLS, SAUNAS, STEAM ROOMS, BATHTUBS AND SHOWERS SHALL BE PERMITTED TO BE TESTED IN ACCORDANCE WITH ANSI Z97.1. GLAZING SHALL COMPLY WITH THE TEST CRITERIA FOR CLASS A, UNLESS OTHERWISE INDICATED IN TABLE 2406.2(2).

SEE TABLE 2406.2(1)

TABLE 2406.2(1)  
MINIMUM CATEGORY CLASSIFICATION OF GLAZING USING CPSC 16 CFR 1201

EXPOSED SURFACE AREA OF ONE SIDE OF ONE LITE	GLAZING IN SYSTEM OR COMBINATION DOORS (Category class)	GLAZING IN DOORS (Category class)	GLAZED PANELS REGULATED BY ITEM 7 OF SECTION 2406.4 (Category class)	GLAZED PANELS REGULATED BY ITEM 8 OF SECTION 2406.4 (Category class)	DOORS AND ENCLOSURES REGULATED BY ITEM 5 OF SECTION 2406.4 (Category class)	SLIDING GLASS DOORS PATIO TYPE (Category class)
9 square feet or less	I	I	No requirement	I	II	II
More than 9 square feet	II	II	II	II	II	II

For SI: 1 square foot = 0.092903 m<sup>2</sup>

TABLE 2406.2(2)  
MINIMUM CATEGORY CLASSIFICATION OF GLAZING USING ANSI Z97.1

EXPOSED SURFACE AREA OF ONE SIDE OF ONE LITE	GLAZED PANELS REGULATED BY ITEM 7 OF SECTION 2406.4 (Category class)	GLAZED PANELS REGULATED BY ITEM 8 OF SECTION 2406.4 (Category class)	DOORS AND ENCLOSURES REGULATED BY ITEM 5 OF SECTION 2406.4 (Category class)
9 square feet or less	No requirement	B	A
More than 9 square feet	A	A	A

For SI: 1 square foot = 0.092903 m<sup>2</sup>  
\* Use is only permitted by the exception to Section 2406.2.

Order Plans @

WWW.LDLine.com

No.	Description	Date

DISCLAIMER: LDLine.com is providing, by agreement with certain parties, materials stored electronically. The parties recognize that data, plans, specifications, reports, drawings, and other documents are subject to unauthorized alteration, copying, distribution, conversion, media degradation, software error or human alteration. Accordingly, all such documents are provided as a service and not as a record document. Any reliance thereon is deemed to be the user's responsibility. LDLine.com is not responsible for any damaged hard copies of the Architect's instruments of service are the only true documents of record.

**MEISTER COX ARCHITECTS**

INFO@MEISTER-COX.COM  
PHONE: 610-375-1331 FAX: 610-375-4655  
1622 PENN AVENUE WYOMISSING, PA 19380  
WWW.MEISTER-COX.COM

**WINDOWS AND STOREFRONTS**

HOLIDAY INN EXPRESS & SUITES

INTERSECTION OF HAYNES PLACE & LAMM RD.  
WILSON, NC 27893

STATUS:	BIDDING
PROJ. DATE:	06-07-19
PROJ. NO.:	18-176
PRINTED:	6/7/2019 7:10:54 PM
DRAWN BY:	RFF
CHECKED BY:	TGC
SHEET NO.:	A210
SCALE:	1/4" = 1'-0"

