

RECEIVED
MAY 02 2019
1736 E. SPRINGFIELD ST., SUITE 417
SPRINGFIELD, MO

NATIONAL ACCOUNT - ROOFTOP UNIT SCHEDULE - 7.5 TON - GAS (3-PHASE) - BY O'REILLY

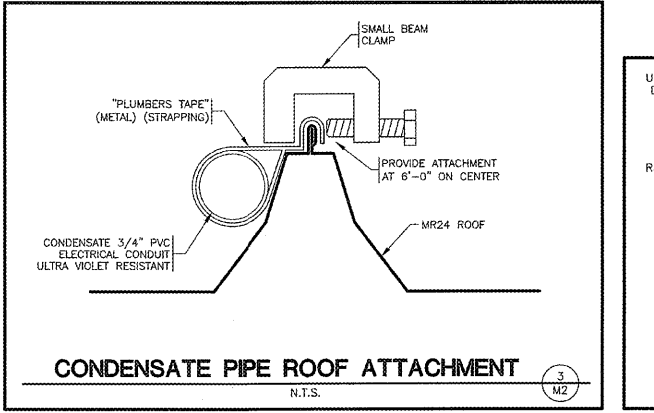
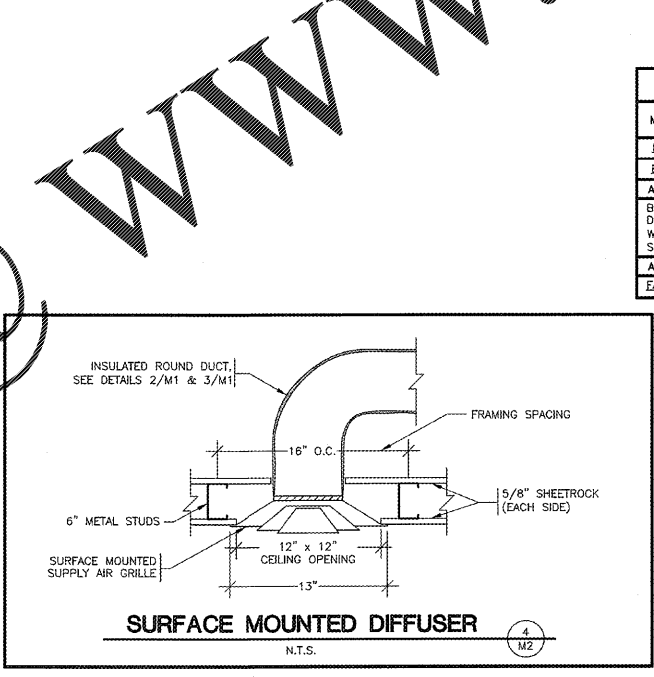
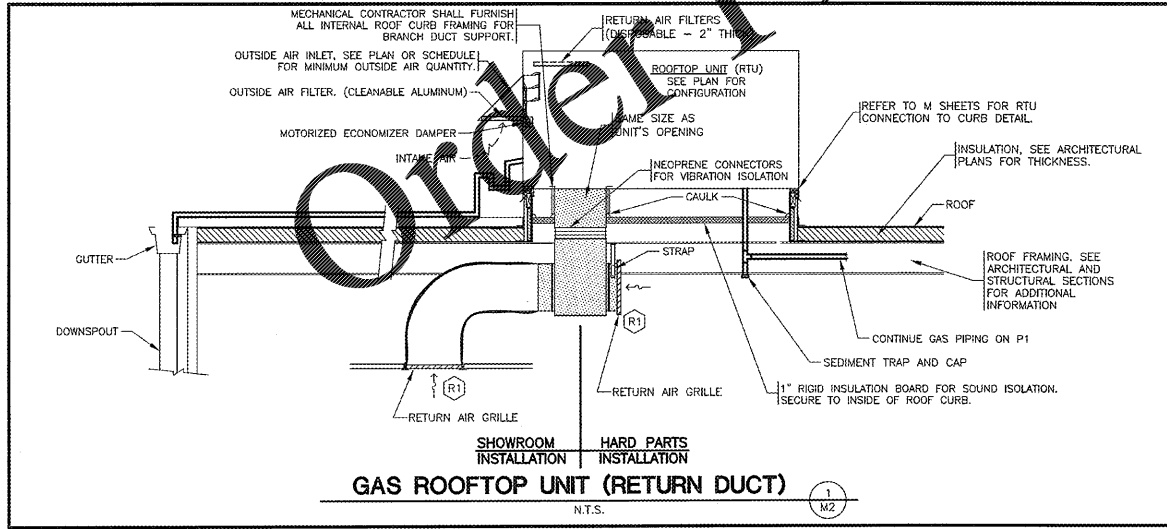
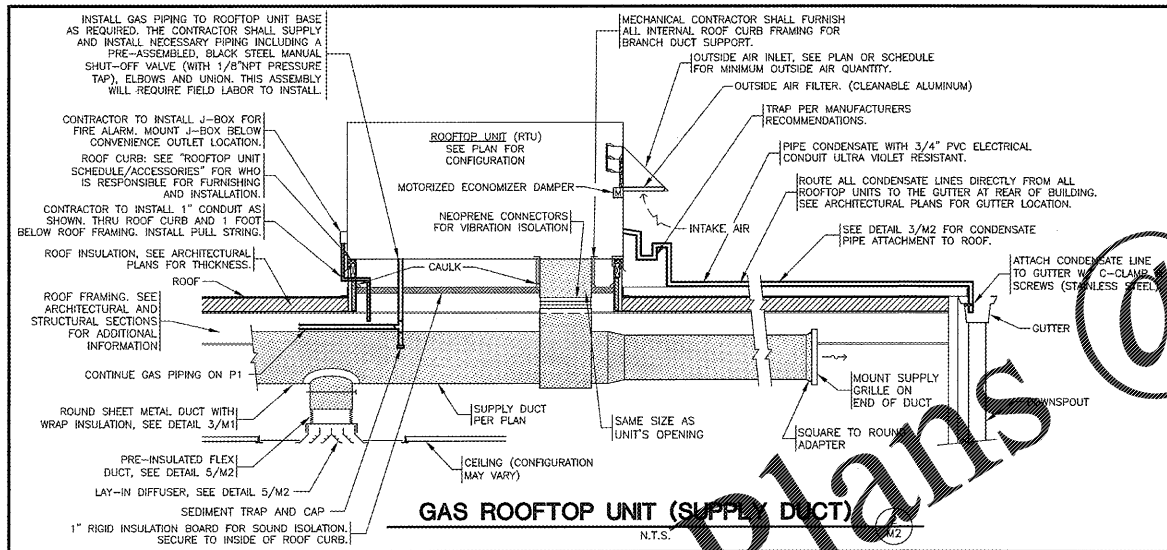
RTU - RESPONSIBILITIES		CALL THE CARRIER CUSTOMER SERVICE REP. BELOW FOR CONFIRMATION OF ORDERS. DO NOT CALL CARRIER FOR QUOTES!																				
1.) ALL CARRIER HVAC UNITS ARE OWNER SUPPLIED BY O'REILLY AUTOMOTIVE. 2.) MECHANICAL CONTRACTOR IS RESPONSIBLE FOR THE INSTALLATION OF ALL CARRIER HVAC UNITS. 3.) MECHANICAL CONTRACTOR IS RESPONSIBLE FOR THE FIRST YEAR LABOR WARRANTY ON ALL OWNER SUPPLIED EQUIPMENT. 4.) MECHANICAL CONTRACTORS WORKING ON O'REILLY PROJECTS MUST CALL "CARRIER CORPORATION'S NATIONAL ACCOUNTS" DEPARTMENT FOR CONFIRMATION OF ORDERS ONLY! 5.) MECHANICAL CONTRACTOR IS RESPONSIBLE FOR SCHEDULING, SHIPPING & RECEIVING OF ALL CARRIER UNITS FROM CARRIER NATIONAL ACCOUNTS. CONTACT CUSTOMER SERVICE REP. LISTED TO THE RIGHT.		CARRIER CORPORATION, STRATEGIC ACCOUNTS, CARRIER PARKWAY, SYRACUSE, NEW YORK 13221 CUSTOMER SERVICE REPS: PAUL WITZ, MARIA CAMPANELLO 315-432-3948, Maria.campanello@carrier.utc.com, CELL 315-317-2481, paul.witz@carrier.utc.com ACCOUNT MANAGER: PAUL WITZ, CELL 315-317-2481, paul.witz@carrier.utc.com																				
MARK	DESCRIPTION	MFR.	CATALOG NUMBER	STAGE 1 IN/OUT	HTG. STAGE 2 IN/OUT	TTL. HTG. IN/OUT	THERM. EFF.	STAGE 1 TOT./SENS.	STAGE 2 TOT./SENS.	TTL. COOL. TOT./SENS.	IEER	EER	CFM	SUPPLY FAN O.A.	ESP	HP	ELECTRICAL MCA	MOCP	Wt. (lbs.)	ACCESSORIES	REMARKS	REF. DTL.
RTU-1 RTU-2	WEATHERMASTER PACKAGED ROOFTOP UNIT 7.5-TON	CARRIER	48HCRD08K2M5-0F1D0	120/98	60/50	180/148	82%	46.5/38	46.5/35	93/72	13.00	12.00	3000	208V/230V/34		1.50	41	50"	1172	SEE BELOW	△△△	1/2 2/2
ACCESSORIES - FACTORY SUPPLIED AND INSTALLED												ACCESSORIES - FACTORY SUPPLIED & FIELD INSTALLED										
HE - STAINLESS STEEL GAS HEAT EXCHANGER, (HIGH HEAT) (15 YR. WARRANTY). SD - RETURN AIR SMOKE DETECTOR. MB - MEDIUM STATIC BLOWER, (SINGLE SPEED). HG - LOUVERED HALL GUARDS. UPO - LIN-POWERED CONVENIENCE OUTLET (FIELD POWERED), 15AMP, 120V, GROUND FAULT CIRCUIT INTERRUPTER (GFCI) TYPE. TBEG - TRIP-BOTTOM-ELECTRIC & GAS SERVICES, (SEE ROOF TOP UNIT DETAILS) SS - HI & LOW REFRIGERANT SAFETY SWITCHES, (STANDARD ON EVERY UNIT) AF - 2" RETURN AIR FILTERS, (STANDARD ON EVERY UNIT) EC - ENTHALPY ECONOMIZER IV, W/BAROMETRIC RELIEF.												CO2 - CO2 SENSOR, WALL MOUNT, #33ZCPTC02L0D-01 CO2/SPACE TEMPERATURE SENSOR WITH LCD DISPLAY & NO OVERRIDE RTRS - REMOTE TEST/RESET STATION, CARRIER #SD-TRM4(CRSOTEST001400) FOR REMOTE TESTING/RESETTING OF DUCT SMOKE DETECTOR. SEE HVAC PLAN FOR MOUNTING LOCATIONS. HSA - ALARM/STROBE CARRIER #6536-GS(CRSDHNSB001A00), AUDIBLE/VISUAL SIGNAL DEVICE FOR SIGNALING ALARM OF DUCT SMOKE DETECTOR. SEE HVAC PLAN FOR MOUNTING LOCATIONS.										
ACCESSORIES - O'REILLY SUPPLIED & FIELD INSTALLED												ACCESSORIES - FIELD SUPPLIED & FIELD INSTALLED										
TS1 - GRIPPOINT THERMOSTAT, (NO SUBSTITUTIONS). REFER TO EM SHEETS. DS - NON-FUSED DISCONNECT SWITCH, (GRAYBAR/O'REILLY) SUPPLIED W/ ELECTRICAL BILL OF MATERIALS.												RC1 - ROOF CURB, (12" STANDARD, 14" IN EXTREME SNOW DRIFT AREA'S) ON NEW BUILDING, ROOF CURB IS BY BUILDING MANUFACTURER. ON EXISTING BUILDING, ROOF CURB IS BY GENERAL CONTRACTOR. WEIGHT OF ROOF CURB IS NOT INCLUDED IN THE WEIGHT ABOVE. PPS - PRIMARY PAN SENSOR, AQUAGUARD AG-3180E, (NO SUBSTITUTIONS).										
REMARKS												REMARKS										
△ COOLING CAPACITY BASED ON 80°F EDB AND 67°F EWB. △ CAPACITY BASED ON 95°F AMBIENT TEMPERATURE. △ NOTE: HVAC COMPLETION, AT CONSTRUCTION COMPLETION: 1. CONTRACTOR SHALL REPLACE ALL RETURN AIR FILTERS INSIDE ALL HVAC UNITS W/CLEAN NEW AIR FILTERS. 2. CONTRACTOR SHALL SUPPLY AN ADDITIONAL CLEAN SET OF FILTERS TO THE OWNER AT JOB COMPLETION. 3. CONTRACTOR SHALL SHOW THE STORE MANAGER THE LOCATION OF & INSTRUCT HIM/HER HOW TO CHANGE ALL AIR FILTERS. △ FACTORY EQUIPPED WITH STANDARD LOW AMBIENT COOLING TO 35°F ODB. △ OUTSIDE AIR, SEE PLAN FOR UNIT(S) REQUIRING OUTSIDE AIR.												△ REFRIGERANT = R410A (PURON). △ THE MECHANICAL CONTRACTOR SHALL BE RESPONSIBLE FOR ALL WIRING AND CONNECTIONS REQUIRED BETWEEN THE SMOKE DETECTOR AND THE UNIT, AND SHALL PROVIDE SMOKE TESTING TO VERIFY PROPER OPERATION AND UNIT SHUT DOWN PRIOR TO OCCUPANCY. △ MAXIMUM CIRCUIT BREAKER OR TIME-DELAY FUSE.										

NATIONAL ACCOUNT ROOFTOP UNIT SCHEDULE - 5 TON - GAS (3-PHASE) - BY O'REILLY

RTU - RESPONSIBILITIES		CALL THE CARRIER CUSTOMER SERVICE REP. BELOW FOR CONFIRMATION OF ORDERS. DO NOT CALL CARRIER FOR QUOTES!																				
1.) ALL CARRIER HVAC UNITS ARE OWNER SUPPLIED BY O'REILLY AUTOMOTIVE. 2.) MECHANICAL CONTRACTOR IS RESPONSIBLE FOR THE INSTALLATION OF ALL CARRIER HVAC UNITS. 3.) MECHANICAL CONTRACTOR IS RESPONSIBLE FOR THE FIRST YEAR LABOR WARRANTY ON ALL OWNER SUPPLIED EQUIPMENT. 4.) MECHANICAL CONTRACTORS WORKING ON O'REILLY PROJECTS MUST CALL "CARRIER CORPORATION'S NATIONAL ACCOUNTS" DEPARTMENT FOR CONFIRMATION OF ORDERS ONLY! 5.) MECHANICAL CONTRACTOR IS RESPONSIBLE FOR SCHEDULING, SHIPPING & RECEIVING OF ALL CARRIER UNITS FROM CARRIER NATIONAL ACCOUNTS. CONTACT CUSTOMER SERVICE REP. LISTED TO THE RIGHT.		CARRIER CORPORATION, STRATEGIC ACCOUNTS, CARRIER PARKWAY, SYRACUSE, NEW YORK 13221 CUSTOMER SERVICE REPS: PAUL WITZ, MARIA CAMPANELLO 315-432-3948, Maria.campanello@carrier.utc.com, CELL 315-317-2481, paul.witz@carrier.utc.com ACCOUNT MANAGER: PAUL WITZ, CELL 315-317-2481, paul.witz@carrier.utc.com																				
MARK	DESCRIPTION	MFR.	CATALOG NUMBER	STAGE 1 IN/OUT	HTG. STAGE 2 IN/OUT	TTL. HTG. IN/OUT	THERM. EFF.	STAGE 1 TOT./SENS.	STAGE 2 TOT./SENS.	TTL. COOL. TOT./SENS.	IEER	EER	CFM	SUPPLY FAN O.A.	ESP	HP	ELECTRICAL MCA	MOCP	Wt. (lbs.)	ACCESSORIES	REMARKS	REF. DTL.
RTU-3 RTU-4	WEATHERMASTER PACKAGED ROOFTOP UNIT 5-TON	CARRIER	48HCTAD6K2M5-0F1D0	120/96	30/24	150/120	80%	60.4	48.0	15.20	12.45	2000	208/34	0.6	1.50	230/38	30	45"	750	SEE BELOW	△△△	1/2 2/2
ACCESSORIES - FACTORY SUPPLIED AND INSTALLED												ACCESSORIES - FACTORY SUPPLIED & FIELD INSTALLED										
HE - STAINLESS STEEL GAS HEAT EXCHANGER, (HIGH HEAT) (15 YR. WARRANTY). SD - RETURN AIR SMOKE DETECTOR. MB - MEDIUM STATIC BLOWER, (SINGLE SPEED). HG - LOUVERED HALL GUARDS. UPO - LIN-POWERED CONVENIENCE OUTLET (FIELD POWERED), 15AMP, 120V, GROUND FAULT CIRCUIT INTERRUPTER (GFCI) TYPE. TBEG - TRIP-BOTTOM-ELECTRIC & GAS SERVICES, (SEE ROOF TOP UNIT DETAILS) SS - HI & LOW REFRIGERANT SAFETY SWITCHES, (STANDARD ON EVERY UNIT) AF - 2" RETURN AIR FILTERS, (STANDARD ON EVERY UNIT) EC - ENTHALPY ECONOMIZER IV, W/BAROMETRIC RELIEF.												CO2 - CO2 SENSOR, WALL MOUNT, #33ZCPTC02L0D-01 CO2/SPACE TEMPERATURE SENSOR WITH LCD DISPLAY & NO OVERRIDE RTRS - REMOTE TEST/RESET STATION, CARRIER #SD-TRM4(CRSOTEST001400) FOR REMOTE TESTING/RESETTING OF DUCT SMOKE DETECTOR. SEE HVAC PLAN FOR MOUNTING LOCATIONS. HSA - ALARM/STROBE CARRIER #6536-GS(CRSDHNSB001A00), AUDIBLE/VISUAL SIGNAL DEVICE FOR SIGNALING ALARM OF DUCT SMOKE DETECTOR. SEE HVAC PLAN FOR MOUNTING LOCATIONS.										
ACCESSORIES - O'REILLY SUPPLIED & FIELD INSTALLED												ACCESSORIES - FIELD SUPPLIED & FIELD INSTALLED										
TS1 - GRIPPOINT THERMOSTAT, (NO SUBSTITUTIONS). REFER TO EM SHEETS. DS - NON-FUSED DISCONNECT SWITCH, (GRAYBAR/O'REILLY) SUPPLIED W/ ELECTRICAL BILL OF MATERIALS.												RC1 - ROOF CURB, (12" STANDARD, 14" IN EXTREME SNOW DRIFT AREA'S) ON NEW BUILDING, ROOF CURB IS BY BUILDING MANUFACTURER. ON EXISTING BUILDING, ROOF CURB IS BY GENERAL CONTRACTOR. WEIGHT OF ROOF CURB IS NOT INCLUDED IN THE WEIGHT ABOVE. PPS - PRIMARY PAN SENSOR, AQUAGUARD AG-3180E, (NO SUBSTITUTIONS).										
REMARKS												REMARKS										
△ COOLING CAPACITY BASED ON 80°F EDB AND 67°F EWB. △ CAPACITY BASED ON 95°F AMBIENT TEMPERATURE. △ NOTE: HVAC COMPLETION, AT CONSTRUCTION COMPLETION: 1. CONTRACTOR SHALL REPLACE ALL RETURN AIR FILTERS INSIDE ALL HVAC UNITS W/CLEAN NEW AIR FILTERS. 2. CONTRACTOR SHALL SUPPLY AN ADDITIONAL CLEAN SET OF FILTERS TO THE OWNER AT JOB COMPLETION. 3. CONTRACTOR SHALL SHOW THE STORE MANAGER THE LOCATION OF & INSTRUCT HIM/HER HOW TO CHANGE ALL AIR FILTERS. △ FACTORY EQUIPPED WITH STANDARD LOW AMBIENT COOLING TO 35°F ODB. △ OUTSIDE AIR, SEE PLAN FOR UNIT(S) REQUIRING OUTSIDE AIR.												△ REFRIGERANT = R410A (PURON). △ THE MECHANICAL CONTRACTOR SHALL BE RESPONSIBLE FOR ALL WIRING AND CONNECTIONS REQUIRED BETWEEN THE SMOKE DETECTOR AND THE UNIT, AND SHALL PROVIDE SMOKE TESTING TO VERIFY PROPER OPERATION AND UNIT SHUT DOWN PRIOR TO OCCUPANCY. △ MAXIMUM CIRCUIT BREAKER OR TIME-DELAY FUSE.										



CRAIG A. SCHNEIDER, AIA
ARCHITECT
1736 East Sunshine, Suite 417
Springfield, Missouri 65804
417.862.6558
417.862.3265
Fax: 417.862.3265
e-mail: architect@esterlyschneider.com



FAN SCHEDULE

MARK	DESCRIPTION	MFR.	CATALOG NUMBER	CFM (NOM)	STATIC PRESS.	MOTOR H.P.	ELECTRICAL V/PH	MCA	MOCP	ACCESSORIES	REMARKS	REF. DETAIL
EF-1	INLINE EXHAUST FAN	COOK	GN-642	500	0.1	195W	120/1	-	-	BD,DS,WC	△△	-
EF-2	INLINE FAN	COOK	GN-642	500	0.1	195W	120/1	-	-	BD,DS,SS	△	-

ACCESSORIES
 BD - GRAVITY BACK DRAFT DAMPER
 DS - DISCONNECT SWITCH
 WC - WALL CAP, "COOK" #WCA-6, ALUMINUM
 SS - FAN SPEED SWITCH "COOK" #FSC (OFFICE ONLY)

APPROVED ALTERNATE MANUFACTURER'S FANS: *GREENHECK *CARNES

REMARKS
 △ ADJUST FOR CFM REQUIRED.
 △ EXHAUST FAN SHALL BE WIRED BY THE ELECTRICAL CONTRACTOR TO OPERATE WITH EITHER RESTROOM'S LIGHT SWITCH.
 △ FAN IN OFFICE TO BE CONTROLLED BY FAN SPEED SWITCH.

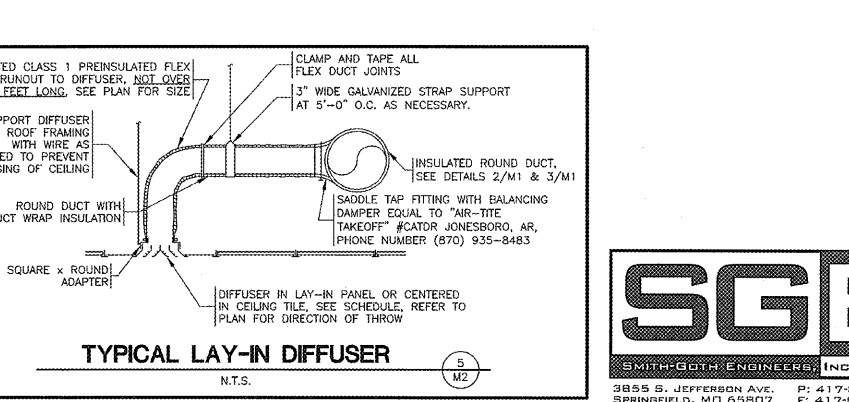
GRILLE AND DIFFUSER SCHEDULE

MARK	DESCRIPTION	MFR.	CATALOG NUMBER	SIZE (in.)	FINISH	MOUNTING	BRANCH DUCT SIZE	ACCESSORIES	REMARKS	REF. DETAIL
G1	SUPPLY GRILLE	ANEMOSTAT	S2H	14x14	WHITE	DUCT	SEE PLAN	OB	△	-
G2	SUPPLY DIFFUSER	ANEMOSTAT	E-1-D	12x12	WHITE	SURFACE	SEE PLAN	DT	△△	4/M2
G3	SUPPLY DIFFUSER	ANEMOSTAT	EPL	24x24	WHITE	DUCT/LAY-IN	SEE PLAN	-	△	5/M2
G4	RETURN GRILLE	ANEMOSTAT	GC5	24x24	WHITE	LAY-IN/EXPOSED	SEE PLAN	-	NON-FILTERED GRILLE	5/M2
G5	RETURN GRILLE	ANEMOSTAT	GC5	12x12	WHITE	SURFACE	SEE PLAN	-	NON-FILTERED GRILLE	4/M2
G6	EXHAUST GRILLE	ANEMOSTAT	53HS	12x12	WHITE	CEILING	SEE PLAN	OB	-	-

ACCESSORIES
 OB - OPPOSED BLADE DAMPER, DIRECTIONAL TABS.
 DT - 1-WAY
 △ 4-WAY

APPROVED ALTERNATE MANUFACTURER'S GRILLES, DIFFUSERS & DAMPERS:
 *TITUS & BAILEY *ANALOR *ARROW *CARNES
 *PRICE INDUSTRIES *TITUS *KRUEGER

REMARKS
 △ DIRECTIONAL TABS, ADJUST TO PROVIDE THROW AS INDICATED ON PLANS.



PROJECT:
NEW O'REILLY AUTO PARTS STORE
US HWY 43
WINFIELD, AL

O'Reilly AUTO PARTS
CORPORATE OFFICES
1 PATTERSON
SPRINGFIELD, MO 65801
(417) 862-2674 TELEPHONE

COMM # 4308
DATE: 05-03-19
REVISION
DATE: