

STEEL SQUARE POLES

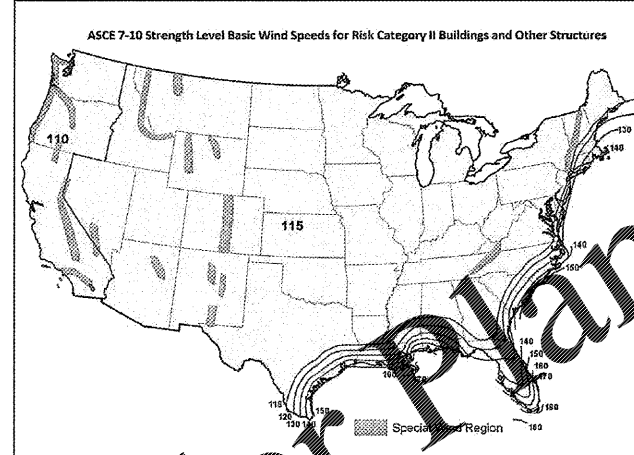
Use ONLY with "Wind Speed Map for ASCE7-10"

POLE	110 MPH	115 MPH	120 MPH	130 MPH	140 MPH	150 MPH	160 MPH	170 MPH	180 MPH	Wind Class
4" HGA 14'	12.5	11.3	10.2	8.5	6.8	5.5	4.1	3.1	2.6	B
4" HGA 15'	9.8	8.6	7.9	6.5	5.4	4.4	3.5	2.9	2.2	B
4" HGA 16'	8.1	7.4	6.7	5.4	4.2	3.4	2.8	2.2	1.7	B
4" HGA 20'	7.1	6.3	5.5	4.4	3.4	2.7	2.1	1.6	1.1	B
4" HGA 22'	6.8	6.0	5.2	4.1	3.1	2.4	1.9	1.4	1.0	B
4" HGA 24'	6.6	5.8	5.0	3.9	2.9	2.2	1.7	1.2	0.9	B
4" HGA 26'	6.4	5.6	4.8	3.7	2.7	2.0	1.5	1.0	0.7	B
4" HGA 28'	6.2	5.4	4.6	3.5	2.5	1.8	1.3	0.9	0.6	B
4" HGA 30'	6.0	5.2	4.4	3.3	2.3	1.6	1.1	0.8	0.5	B
4" HGA 32'	5.8	5.0	4.2	3.1	2.1	1.4	1.0	0.7	0.4	B
4" HGA 34'	5.6	4.8	4.0	2.9	1.9	1.2	0.8	0.5	0.3	B
4" HGA 36'	5.4	4.6	3.8	2.7	1.7	1.0	0.7	0.4	0.2	B
4" HGA 38'	5.2	4.4	3.6	2.5	1.5	0.8	0.5	0.3	0.2	B
4" HGA 40'	5.0	4.2	3.4	2.3	1.3	0.6	0.4	0.2	0.1	B
4" HGA 42'	4.8	4.0	3.2	2.1	1.1	0.5	0.3	0.1	0.1	B
4" HGA 44'	4.6	3.8	3.0	1.9	0.9	0.4	0.2	0.1	0.0	B
4" HGA 46'	4.4	3.6	2.8	1.7	0.7	0.3	0.2	0.1	0.0	B
4" HGA 48'	4.2	3.4	2.6	1.5	0.5	0.2	0.1	0.0	0.0	B
4" HGA 50'	4.0	3.2	2.4	1.3	0.3	0.1	0.0	0.0	0.0	B
4" HGA 52'	3.8	3.0	2.2	1.1	0.2	0.0	0.0	0.0	0.0	B
4" HGA 54'	3.6	2.8	2.0	0.9	0.1	0.0	0.0	0.0	0.0	B
4" HGA 56'	3.4	2.6	1.8	0.7	0.0	0.0	0.0	0.0	0.0	B
4" HGA 58'	3.2	2.4	1.6	0.5	0.0	0.0	0.0	0.0	0.0	B
4" HGA 60'	3.0	2.2	1.4	0.3	0.0	0.0	0.0	0.0	0.0	B
4" HGA 62'	2.8	2.0	1.2	0.2	0.0	0.0	0.0	0.0	0.0	B
4" HGA 64'	2.6	1.8	1.0	0.1	0.0	0.0	0.0	0.0	0.0	B
4" HGA 66'	2.4	1.6	0.8	0.0	0.0	0.0	0.0	0.0	0.0	B
4" HGA 68'	2.2	1.4	0.6	0.0	0.0	0.0	0.0	0.0	0.0	B
4" HGA 70'	2.0	1.2	0.4	0.0	0.0	0.0	0.0	0.0	0.0	B
4" HGA 72'	1.8	1.0	0.2	0.0	0.0	0.0	0.0	0.0	0.0	B
4" HGA 74'	1.6	0.8	0.0	0.0	0.0	0.0	0.0	0.0	0.0	B
4" HGA 76'	1.4	0.6	0.0	0.0	0.0	0.0	0.0	0.0	0.0	B
4" HGA 78'	1.2	0.4	0.0	0.0	0.0	0.0	0.0	0.0	0.0	B
4" HGA 80'	1.0	0.2	0.0	0.0	0.0	0.0	0.0	0.0	0.0	B
4" HGA 82'	0.8	0.0	0.0	0.0	0.0	0.0	0.0	0.0	0.0	B
4" HGA 84'	0.6	0.0	0.0	0.0	0.0	0.0	0.0	0.0	0.0	B
4" HGA 86'	0.4	0.0	0.0	0.0	0.0	0.0	0.0	0.0	0.0	B
4" HGA 88'	0.2	0.0	0.0	0.0	0.0	0.0	0.0	0.0	0.0	B
4" HGA 90'	0.0	0.0	0.0	0.0	0.0	0.0	0.0	0.0	0.0	B

All LSI Industries' poles are guaranteed to meet the EPA requirements listed. LSI Industries is not responsible if a pole order has a lower EPA rating than the local wind-loading zone where the pole will be located. CAUTION: This guarantee does not apply if the pole/bracket/fixture combination is used to support any other items such as signs, permits, or signs, which would add stress to the pole. LSI Industries cannot accept responsibility for harm or damage caused in these situations.

Project Name _____ Fixture Type _____ 1/2/2017
 Catalog # _____ LSI INDUSTRIES INC.

WINDSPEED MAP FOR ASCE7-10



Wind Speed Map and Pole EPA are based on ASCE 7-10. Please inform LSI if your local code requirements differ; LSI can supply calculations to your local requirements.

- NOTES:
- Values are the fastest-mile winds at 33 ft (10 m) above ground for exposure Category 2.
 - Linear interpolation between wind speed contours is acceptable.
 - Determine the design wind speed using height and of range.
 - Fixed and mobile EPA areas are based on wind direction and forces specified in ANSI/ASCE 7-10.
 - Local code requirements and speeds differ from those shown on map.

All LSI Industries' poles are guaranteed to meet the EPA requirements listed. Pole manufacturer is not responsible if a pole order has a lower EPA rating than the indicated wind-loading zone where the pole will be located. CAUTION: This guarantee does not apply if the pole/bracket/fixture combination is used to support any other items such as signs, permits, or signs, which would add stress to the pole. LSI Industries cannot accept responsibility for harm or damage caused in these situations.

Project Name _____ Fixture Type _____ 4/26/17
 Catalog # _____ LSI INDUSTRIES INC.

STEEL SQUARE POLES

POLE ORDERING INFORMATION

TYPICAL ORDER EXAMPLE: 5SQB5 S07G 24 S P L P S F D6P

Pole Size	Material	Height	Mounting Configuration	Pole Finish	Options
Both on Area Mount - See pole selection guide for patterns and fixture mounting.	SF10 - 11 Gal. Steel S07G - 07 Gal. Steel	14' 16' 18' 20' 22' 24' 26' 28' 30' 32' 34'	S - Single Pole D - Double P - Pullman Plus W - White SVG - Santa Verde Green G - Galvalume M - Metallic Silver	BRZ - Bronze BLK - Black PLP - Pullman Plus WH - White SVG - Santa Verde Green G - Galvalume M - Metallic Silver	GA - Submerged Anchor Bolts SF - Square Flange DF - Double Flange DOP - Double Pole LAD - Less Anchor Bolts DSK - Pole preparation for PWS Occupancy Sensor

ACCESSORY ORDERING INFORMATION (Accessories are field installed)

Description	Order Number	Order Number
482 - 4" Square Base Cover	122589C.R	122589C.R
483 - 4" Square Base Cover	122589C.L	122589C.L
484 - 4" Square Base Cover	122589C.R	122589C.R
485 - 4" Square Base Cover	122589C.L	122589C.L
486 - 4" Square Base Cover	122589C.R	122589C.R
487 - 4" Square Base Cover	122589C.L	122589C.L
488 - 4" Square Base Cover	122589C.R	122589C.R
489 - 4" Square Base Cover	122589C.L	122589C.L
490 - 4" Square Base Cover	122589C.R	122589C.R
491 - 4" Square Base Cover	122589C.L	122589C.L
492 - 4" Square Base Cover	122589C.R	122589C.R
493 - 4" Square Base Cover	122589C.L	122589C.L
494 - 4" Square Base Cover	122589C.R	122589C.R
495 - 4" Square Base Cover	122589C.L	122589C.L
496 - 4" Square Base Cover	122589C.R	122589C.R
497 - 4" Square Base Cover	122589C.L	122589C.L
498 - 4" Square Base Cover	122589C.R	122589C.R
499 - 4" Square Base Cover	122589C.L	122589C.L
500 - 4" Square Base Cover	122589C.R	122589C.R

- 1 - See Area Lighting Brackets for Reduced Drill Pattern and Area Lighting Brackets - Both on 4" Traditional DPO
 2 - Pole heights will have +/- 1/2" tolerance
 3 - See Flood Lighting Brackets section for choice of FBO brackets
 4 - Order PWS's separately. Check "OC" to indicate height and side of pole location for pole preparation. EX: 5S168 indicates preparation to be 16ft. up from pole base on Side A. Optional distance from ground to base is 0ft.
 5 - OSXX option required. Not for use with Metal Inlets

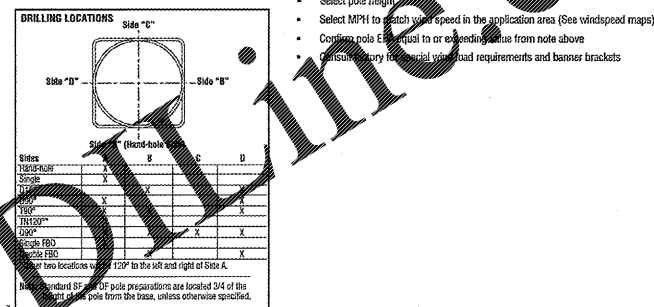
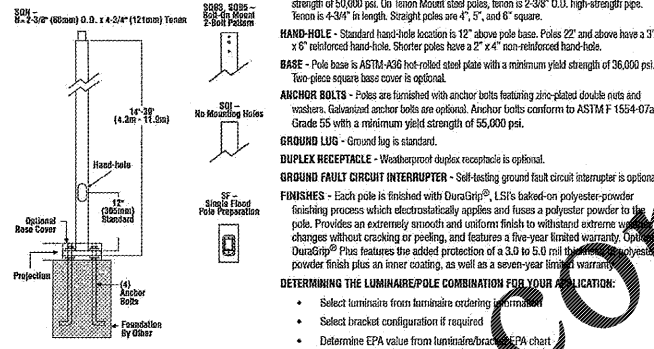
BOLT CIRCLE

	4" (102mm) square 18-18" (457mm) sq.	5" (127mm) square 19-1/2" (493mm) sq.	6" (152mm) square 20-1/2" (521mm) sq.	8" (203mm) square 27" (686mm) sq.
Anchor Bolt	3/4" x 3/4"	3/4" x 3/4"	3/4" x 3/4"	3/4" x 3/4"
Anchor Bolt Spacing	18-18"	19-1/2"	20-1/2"	27"
Anchor Bolt Pattern	18-18" Dia. Bolt Circle	19-1/2" Dia. Bolt Circle	20-1/2" Dia. Bolt Circle	27" Dia. Bolt Circle
Base Plate Opening for Utility Entry	3-5/8" x 3-5/8"	3-5/8" x 3-5/8"	3-5/8" x 3-5/8"	3-5/8" x 3-5/8"
Base Plate Dimensions	18-1/2" sq. x 3-5/8" THK. (457mm x 91mm)	19-1/4" sq. x 3-5/8" THK. (493mm x 91mm)	19-3/4" sq. x 3-5/8" THK. (502mm x 91mm)	27-1/2" sq. x 3-5/8" THK. (700mm x 91mm)

Project Name _____ Fixture Type _____ 1/2/2017
 Catalog # _____ LSI INDUSTRIES INC.

STEEL SQUARE POLES

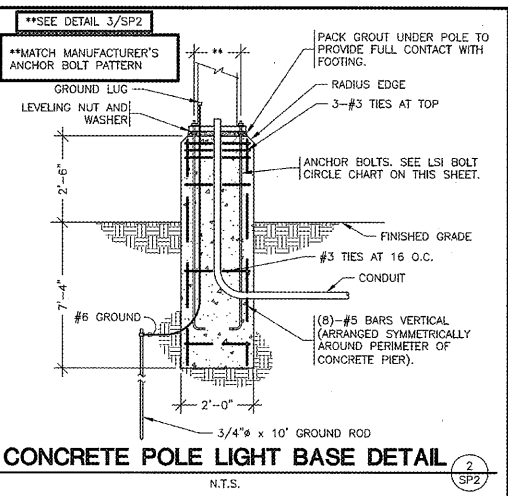
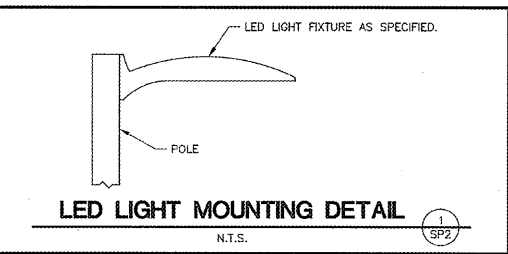
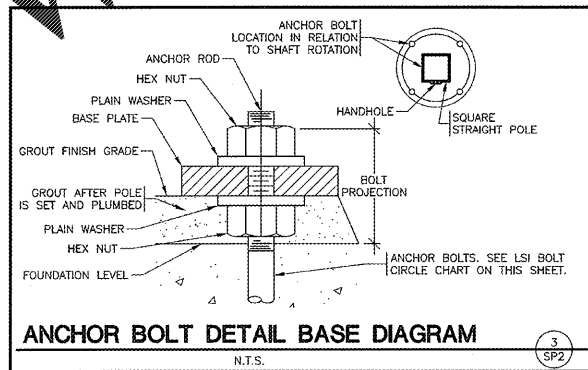
DIMENSIONS



SHIPPING WEIGHTS - Steel Square Poles

Pole Size	Weight (lb.)	Weight (kg.)
4" x 4" x 14'	7.5	3.4
4" x 4" x 16'	8.5	3.8
4" x 4" x 18'	9.5	4.3
4" x 4" x 20'	10.5	4.7
4" x 4" x 22'	11.5	5.2
4" x 4" x 24'	12.5	5.7
4" x 4" x 26'	13.5	6.1
4" x 4" x 28'	14.5	6.6
4" x 4" x 30'	15.5	7.0
4" x 4" x 32'	16.5	7.5
4" x 4" x 34'	17.5	7.9

Project Name _____ Fixture Type _____ 1/2/2017
 Catalog # _____ LSI INDUSTRIES INC.

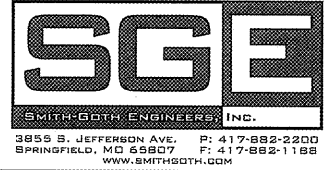


CRAIG A. SCHNEIDER, AIA
 ARCHITECT
 1736 East Sunshine, Suite 417
 Springfield, Missouri 65804
 417.862.0558
 Fax: 417.862.3265
 e-mail: architect@cretechinc.com

PROJECT: O'REILLY AUTO PARTS STORE
NEW O'REILLY AUTO PARTS STORE
US HWY 43
WINFIELD, AL
SITE LIGHTING DETAILS

O'Reilly AUTO PARTS
 CORPORATE OFFICES
 233 SOUTH PATTERSON
 SPRINGFIELD, MISSOURI 65802
 (417) 862-2674 TELEPHONE

COMM # 4308
 DATE: 05-03-19
 REVISION
 DATE:



© COPYRIGHT 2019-2020 - DESIGNS, DRAWINGS AND SPECIFICATIONS ARE INSTRUMENTS OF SERVICE AND ARE THE PROPERTY OF THE DESIGN PROFESSIONAL. REPRODUCTION PROHIBITED WITHOUT THE EXPRESSED WRITTEN CONSENT OF THE DESIGN PROFESSIONAL.