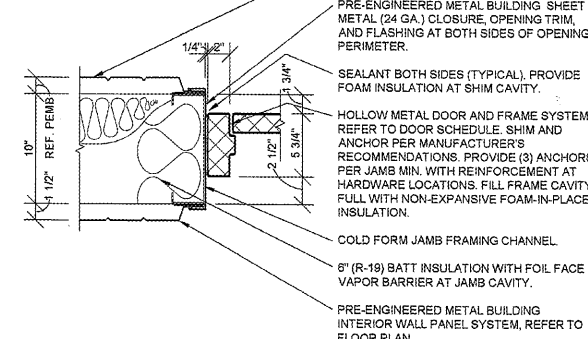
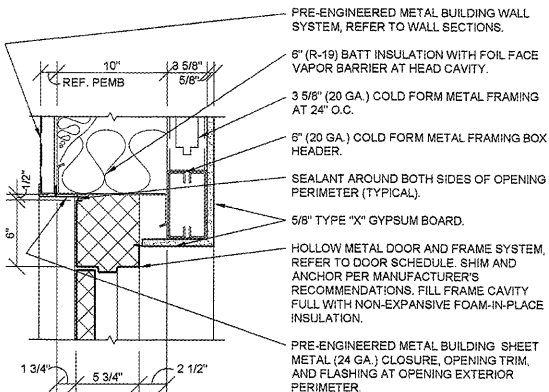


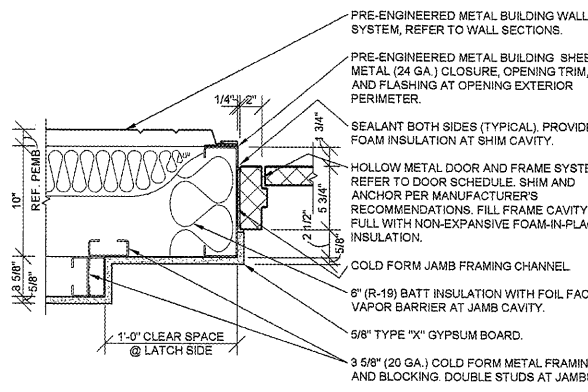
1 HEAD DETAIL
A5.1 SCALE: 1 1/2" = 1'-0"



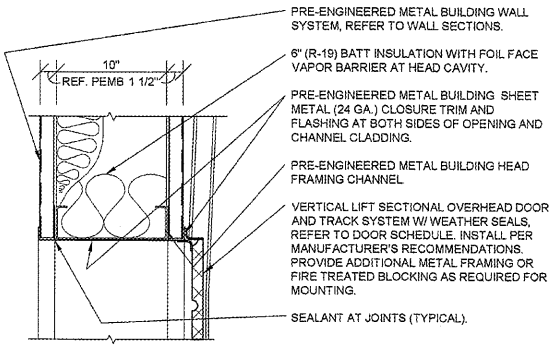
2 JAMB DETAIL
A5.1 SCALE: 1 1/2" = 1'-0"



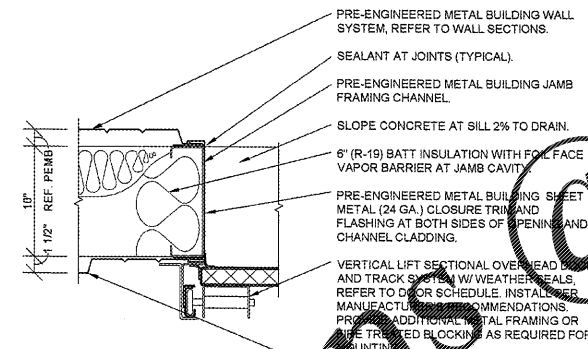
3 HEAD DETAIL
A5.1 SCALE: 1 1/2" = 1'-0"



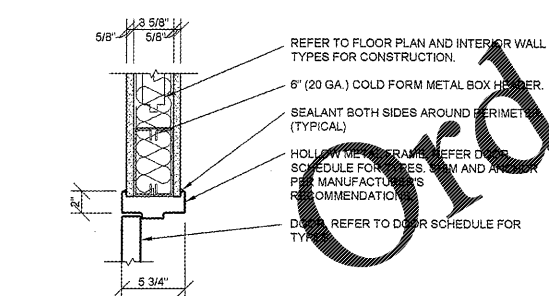
4 JAMB DETAIL
A5.1 SCALE: 1 1/2" = 1'-0"



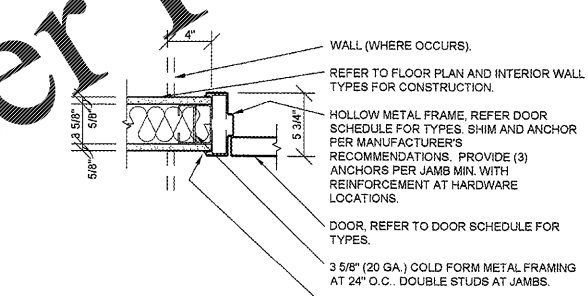
5 HEAD DETAIL
A5.1 SCALE: 1 1/2" = 1'-0"



6 JAMB DETAIL
A5.1 SCALE: 1 1/2" = 1'-0"



7 HEAD DETAIL
A5.1 SCALE: 1 1/2" = 1'-0"



8 JAMB DETAIL
A5.1 SCALE: 1 1/2" = 1'-0"

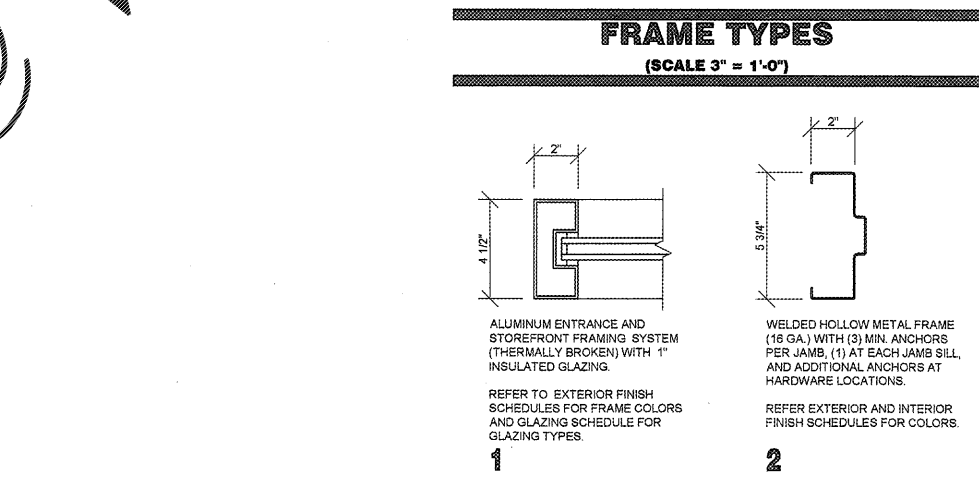
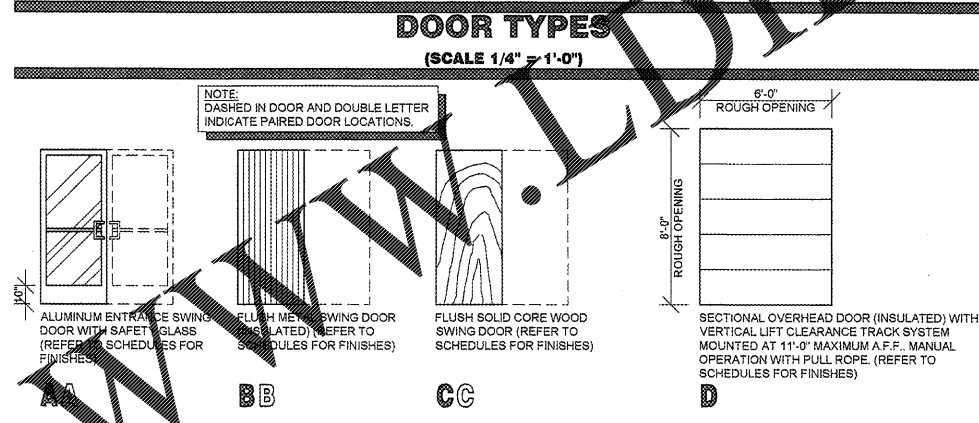
DOOR SCHEDULE

MK	DOOR			DOOR HARDWARE		FRAME		DETAILS			FIRE RATING	REMARKS (REFER NOTES)	
	SIZE (W X H X D)	TYPE	SWING	MATERIAL	GLAZ TYPE	SET #	KEYED	TYPE	MATERIAL	HEAD WIDTH			HEAD
1	3'-0" X 7'-0" X 1-3/4"	A	REFER TO FLOOR PLAN	ALUMINUM	1	1	A	1	ALUMINUM	4/A5.2	4/A5.2	5/A5.2	1, 2
2	3'-0" X 7'-0" X 1-3/4"	B	REFER TO FLOOR PLAN	INSULATED METAL		2	A	2	INSULATED METAL	1/A5.1	2/A5.1	5/A5.2 SIM.	1, 2, 3
3	6'-0" X 8'-0"	D	SECTIONAL OVERHEAD	INSULATED METAL		3			MANUFACTURER'S STANDARDS	5/A5.1	6/A5.1		1
4	3'-0" X 7'-0" X 1-3/4"	C	REFER TO FLOOR PLAN	SOLID WOOD		4		2	HOLLOW METAL	7/A5.1	8/A5.1		1, 4
5	3'-0" X 7'-0" X 1-3/4"	C	REFER TO FLOOR PLAN	SOLID WOOD		5		2	HOLLOW METAL	7/A5.1	8/A5.1		1, 4
6	3'-0" X 7'-0" X 1-3/4"	C	REFER TO FLOOR PLAN	SOLID WOOD		5		2	HOLLOW METAL	7/A5.1	8/A5.1		1, 4
7	3'-0" X 7'-0" X 1-3/4"	B	REFER TO FLOOR PLAN	INSULATED METAL		6		2	INSULATED METAL	3/A5.1	4/A5.1	5/A5.2 SIM.	1, 3

NOTES:
 1. ALL DOORS SHALL BE SHOP PREPARED FOR HARDWARE.
 2. ALL EXTERIOR DOORS TO BE KEYPED ALIKE. CONTRACTOR TO FIELD VERIFY AND MATCH CORE OF DOOR MARKED "2".
 3. EXTERIOR DOOR, FRAME AND HARDWARE OWNER FURNISHED AND CONTRACTOR INSTALLED. REFER TO SCOPE OF WORK SCHEDULE.
 4. CONTRACTOR'S OPTION TO PURCHASE INTERIOR DOORS, FRAMES, AND HARDWARE THROUGH PREFERRED VENDOR. REFER TO SCOPE OF WORK SCHEDULE.

LOCKNET
 100 COURCELLE DRIVE
 NICHOLASVILLE, KY 40356
 CONTACT: FRAM PEEL
 PHONE 800-887-4307 EXT 133
 FAX 859-981-5499
 EMAIL: construction@locknet.com

SPECIAL NOTE:
 UNLESS OTHERWISE INDICATED, KNOCK DOWN (KD) TYPE DOOR FRAMES ARE NOT PERMITTED.



DOOR HARDWARE SCHEDULE

HARDWARE NOTES:
 1. ALL HARDWARE TO BE ADA AND ANSI COMPLIANT.
 2. VERIFY COMPATIBILITY OF HARDWARE SPECIFIED. NOTIFY ARCHITECT OF INCOMPATIBILITY ISSUES PRIOR TO ORDERING AND INSTALLATION.

SET NO. 1 (DR. 1)
 1 CYLINDER: 20-062 X 626 - "E" KEYWAY (REMOVABLE CORE)..... SCHLAGE

(FOLLOWING REQUIRED HARDWARE FURNISHED WITH WINDOW FRAMING DOOR SYSTEM)
 1 PAIR OFFSET PIVOTS: 195/188 X 626..... RIXON
 1 DEADLOCK: M61850S X 626..... ADAMS RITE
 1 DEADLOCK LEVER: 4550 X 626..... ADAMS RITE
 1 STRIKE: MS4002 X 626..... ADAMS RITE
 1 SET PUSH/PULLS: 86-151 ULTRALINE W/ OFFSET PULLS..... EFCO
 1 CLOSER: 4041-3077-18T-JTB X 689 (ADJ. TO 8.5 LBS.)..... LCN
 1 SET PERIMETER GASKETS: POLYMERIC BULB LENGTH REQUIRED..... PEMKO
 1 SWEEP: 345AP X LENGTH REQUIRED..... PEMKO
 1 THRESHOLD: 270A X LENGTH REQUIRED (OFFSET NOT COMPLYABLE) (ANSI & ADA COMPLIANT)..... PEMKO

SET NO. 2 (DR. 2)
 1 CONTINUOUS HINGE: 780-1 1/2" X LENGTH REQUIRED X 626..... HAGER
 1 CYLINDER: 20-057 "E" KEYWAY (REMOVABLE CORE)..... SCHLAGE
 1 PROVIDE (2) SECURITY KEYS: CORE KEY, (1) BITTED..... SCHLAGE
 1 EXIT PANIC LOCK: 9300S X 450 X 630 (FR103 X 630) (THROUGH SEX BOLT MOUNTING)..... DORMA
 1 CLOSER: 6616DS (ENR) 689 (ADJ. TO 8.5 LBS.)..... LATCHGUARD
 1 PERIMETER GASKETS: OEBD-500 X LENGTH REQUIRED..... SCHLEGEL
 1 SWEEP: 100ZSF X 626 (STRAIGHT W/ PIN AND SEX BOLTS)..... LATCHGUARD
 1 DOOR BUMPER: 698 - 190 X 626..... IVES
 1 KNOCK LATE: 190S X 8" X 34" X 630..... HAGER
 1 DOOR BOTTOM SEAL: 31321 X LENGTH REQUIRED..... GLOBAL
 1 THRESHOLD: 31206 X LENGTH REQUIRED..... GLOBAL

SET NO. 3 (DR. 3)
 REQUIRED HARDWARE FURNISHED WITH OVERHEAD DOOR SYSTEM (LOOKING FROM INSIDE ONLY)
 3 HINGES: BB1276 X 4 1/2" X 4 1/2" X 626..... HAGER
 1 OFFICE LOCK: AU5302LN X 626..... YALE
 1 FLOOR STOP: 440 X US26D..... ROCKWOOD

SET NO. 4 (DR. 4)
 3 HINGES: BB1279 X 4 1/2" X 4 1/2" X 626..... HAGER
 1 PRIVACY LOCK: AU5302LN X 626..... YALE
 1 WALL BUMPER: 409 X 626..... ROCKWOOD

SET NO. 5 (DR. 5, 6)
 3 HINGES: ECBB1100 X 4 1/2" X 4 1/2" X 626 X NRP..... HAGER
 1 EXIT ONLY PANIC LOCK: 8300B X 486 X 689..... DORMA
 1 CLOSER: 5300MLT X 689 (ADJ. TO 8.5 LBS.) (THROUGH SEX BOLT MOUNTING)..... HAGER
 1 SET PERIMETER GASKETS: OEBD-500 X LENGTH REQUIRED..... SCHLEGEL
 1 LATCH GUARD: LG100ZSF X 626 (STRAIGHT W/ PIN W/ SEX BOLTS)..... LATCHGUARD
 1 DOOR BOTTOM SEAL: 31321 X LENGTH REQUIRED..... GLOBAL
 1 THRESHOLD: 31206 X LENGTH REQUIRED..... GLOBAL

SET NO. 6 (DR. 7)
 3 HINGES: ECBB1100 X 4 1/2" X 4 1/2" X 626 X NRP..... HAGER
 1 EXIT ONLY PANIC LOCK: 8300B X 486 X 689..... DORMA
 1 CLOSER: 5300MLT X 689 (ADJ. TO 8.5 LBS.) (THROUGH SEX BOLT MOUNTING)..... HAGER
 1 SET PERIMETER GASKETS: OEBD-500 X LENGTH REQUIRED..... SCHLEGEL
 1 LATCH GUARD: LG100ZSF X 626 (STRAIGHT W/ PIN W/ SEX BOLTS)..... LATCHGUARD
 1 DOOR BOTTOM SEAL: 31321 X LENGTH REQUIRED..... GLOBAL
 1 THRESHOLD: 31206 X LENGTH REQUIRED..... GLOBAL

GENERAL NOTES

(A) REFER TO PROJECT MANUAL FOR ADDITIONAL REQUIREMENTS.
 (B) REFER TO BUILDING CODE SUMMARY FOR PROJECT STRUCTURAL DESIGN CRITERIA. DOOR FRAMING AND ANCHORING SYSTEMS SHALL BE DESIGNED BY MANUFACTURER TO CONFORM TO PERFORMANCE AND TESTING REQUIREMENTS SPECIFIED.
 (C) REFER TO FLOOR PLAN, ELEVATIONS, AND SECTIONS FOR ADDITIONAL REQUIREMENTS.
 (D) REFER TO EXTERIOR AND INTERIOR FINISH SCHEDULES FOR COLORS. PERIMETER SEALANT COLOR TO MATCH FRAME COLOR UNLESS OTHERWISE INDICATED.

CRAIG A. SCHNEIDER, AIA
ARCHITECT

417-862-0558
 417-862-9268
 FAX: 417-862-9268
 E-MAIL: architect@estrefischneider.com

PROJECT:
NEW O'REILLY AUTO PARTS STORE
 US HWY 43
 WINFIELD, AL

O'Reilly AUTO PARTS

CORPORATE OFFICES
 233 SOUTH PATTERSON
 SPRINGFIELD, MISSOURI 65802
 (417) 862-2674 TELEPHONE

COMM # 4308
 DATE: 5-3-19
 REVISION
 DATE:

A5.1