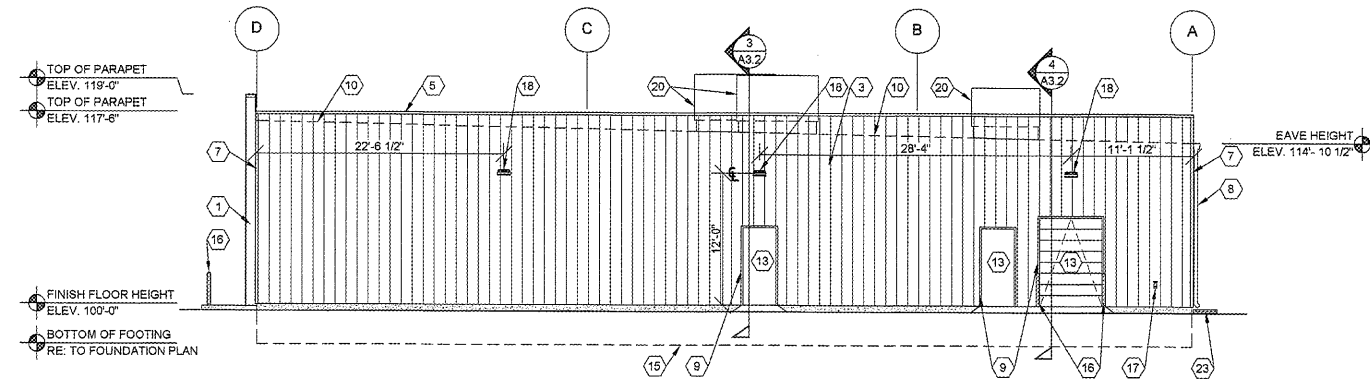


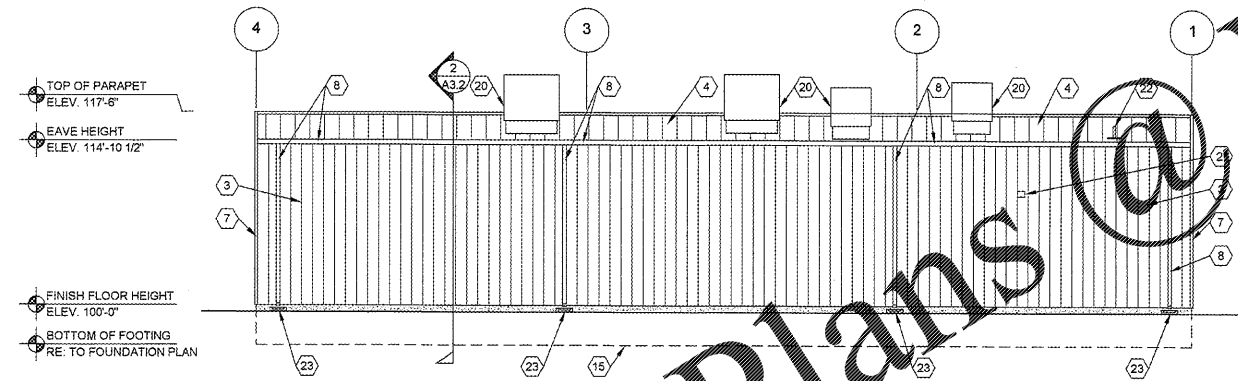
**1 NORTH EXTERIOR ELEVATION**

A2.1 SCALE: 1/8" = 1'-0"



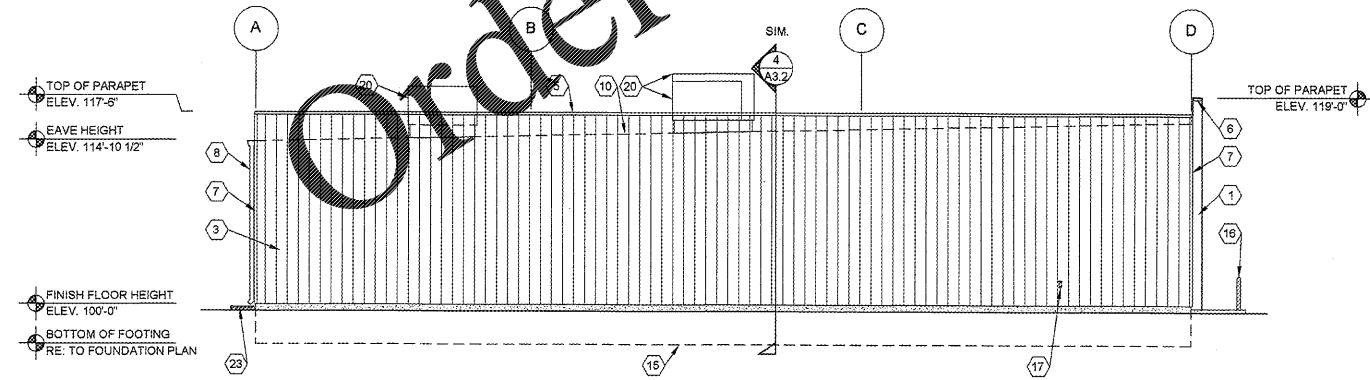
**2 WEST EXTERIOR ELEVATION**

A2.1 SCALE: 1/8" = 1'-0"



**3 SOUTH EXTERIOR ELEVATION**

A2.1 SCALE: 1/8" = 1'-0"



**4 EAST EXTERIOR ELEVATION**

A2.1 SCALE: 1/8" = 1'-0"

**EXTERIOR FINISH SCHEDULE**

**PRE-ENGINEERED METAL BUILDING WALL PANEL SYSTEMS**  
**KEY NOTE NO. 1:**  
 TYPE: EXTERIOR WALL PANEL (TYPE 1)  
 MFG: (REFER TO PRE-ENGINEERED METAL BUILDING SHOP DRAWINGS)  
 SERIES: EQUAL TO BUTLER BUILDING "STYLWALL"  
 FINISH: PREFINISHED  
 COLOR: EQUAL TO SHERWIN WILLIAMS "POSITIVE RED" SW6871 GLOSS

**KEY NOTE NO. 2:**  
 TYPE: EXTERIOR WALL PANEL (TYPE 2)  
 MFG: (REFER TO PRE-ENGINEERED METAL BUILDING SHOP DRAWINGS)  
 SERIES: EQUAL TO BUTLER BUILDING "STYLWALL"  
 FINISH: PREFINISHED  
 COLOR: EQUAL TO BUTLER BUILDING "COOL BIRCH WHITE"

**KEY NOTE NO. 3:**  
 TYPE: EXTERIOR WALL PANEL (TYPE 3)  
 MFG: (REFER TO PRE-ENGINEERED METAL BUILDING SHOP DRAWINGS)  
 SERIES: EQUAL TO BUTLER BUILDING "SHADOWWALL"  
 FINISH: PREFINISHED  
 COLOR: EQUAL TO BUTLER BUILDING "COOL BIRCH WHITE"

**FLASHING AND SHEET METAL**  
**KEY NOTE NO. 4:**  
 TYPE: STANDING SEAM ROOFING SYSTEM  
 MFG: (REFER TO PRE-ENGINEERED METAL BUILDING SHOP DRAWINGS)  
 COLOR: GALVALUME

**KEY NOTE NO. 5:**  
 TYPE: CAP FLASHING AT WALL PANELS (TYPE 2 AND TYPE 3)  
 MFG: (REFER TO PRE-ENGINEERED METAL BUILDING SHOP DRAWINGS)  
 FINISH: PREFINISHED  
 COLOR: EQUAL TO BUTLER BUILDING "COOL BIRCH WHITE"

**KEY NOTE NO. 6:**  
 TYPE: CAP FLASHING AT WALL PANELS (TYPE 1)  
 MFG: (REFER TO PRE-ENGINEERED METAL BUILDING SHOP DRAWINGS)  
 FINISH: PREFINISHED  
 COLOR: SHERWIN WILLIAMS "POSITIVE RED" SW6871 (SHER-CRYL) GLOSS  
 COATING: SHERWIN WILLIAMS THROUGH THE LINE (B85T105 / B69V105 / B66C105) POLYURETHANE

**KEY NOTE NO. 7:**  
 TYPE: WALL PANEL TRIM  
 MFG: (REFER TO PRE-ENGINEERED METAL BUILDING SHOP DRAWINGS)  
 FINISH: PREFINISHED  
 COLOR: EQUAL TO BUTLER BUILDING "COOL BIRCH WHITE"

**KEY NOTE NO. 8:**  
 TYPE: GUTTER AND DOWNSPOUTS  
 MFG: (REFER TO PRE-ENGINEERED METAL BUILDING SHOP DRAWINGS)  
 FINISH: PREFINISHED  
 COLOR: EQUAL TO BUTLER BUILDING "COOL BIRCH WHITE"

**KEY NOTE NO. 9:**  
 TYPE: DOOR TRIM  
 MFG: (REFER TO PRE-ENGINEERED METAL BUILDING SHOP DRAWINGS)  
 FINISH: PREFINISHED  
 COLOR: EQUAL TO BUTLER BUILDING "COOL BIRCH WHITE"

**DOORS AND WINDOWS**  
**KEY NOTE NO. 13:**  
 TYPE: STEEL DOORS AND FRAMES (DOORS NO. 2 AND 7)  
 MFG: (OWNER FURNISHED / CONTRACTOR INSTALLED)  
 FINISH: FACTORY PRIMED AND FIELD PAINTED  
 COLOR: SHERWIN WILLIAMS (MATCH ADJACENT PANEL COLOR) (SEMI-GLOSS)

**KEY NOTE NO. 14:**  
 TYPE: (REFER TO WINDOW SCHEDULE)  
 MFG: EFCO, KAWNEER, OR OLD CASTLE (VISTA WALL). (NO SUBSTITUTES)  
 FINISH: PREFINISHED  
 COLOR: SHERWIN WILLIAMS "HUNT CLUB" SW6468 (SEMI-GLOSS)

**PAINTING**  
**KEY NOTE NO. 16:**  
 TYPE: STEEL BOLLARDS (REFER TO CIVIL DRAWINGS)  
 FINISH: FIELD PRIME AND PAINT  
 COLOR: SHERWIN WILLIAMS "HUNT CLUB" SW6468 (SEMI-GLOSS)

**GENERAL NOTES**

- (A) REFER TO PROJECT MANUAL FOR ADDITIONAL REQUIREMENTS.
- (B) REFER TO CIVIL DRAWINGS FOR ADDITIONAL REQUIREMENTS.
- (C) REFER TO PLUMBING, MECHANICAL, AND ELECTRICAL DRAWINGS FOR SYSTEM TYPES AND ADDITIONAL REQUIREMENTS.
- (D) REFER TO EXTERIOR FINISH SCHEDULE FOR MATERIAL TYPES.
- (E) REFER TO PRE-ENGINEERED METAL BUILDING SHOP DRAWINGS FOR ADDITIONAL REQUIREMENTS.
- (F) REFER TO SCOPE OF WORK SCHEDULE FOR ADDITIONAL REQUIREMENTS.

**KEYNOTES**

- (1) PRE-ENGINEERED METAL BUILDING EXTERIOR WALL PANEL SYSTEM (TYPE 1)
- (2) PRE-ENGINEERED METAL BUILDING EXTERIOR WALL PANEL SYSTEM (TYPE 2)
- (3) PRE-ENGINEERED METAL BUILDING EXTERIOR WALL PANEL SYSTEM (TYPE 3)
- (4) PRE-ENGINEERED METAL BUILDING SHEET METAL ROOFING SYSTEM
- (5) PRE-ENGINEERED METAL BUILDING SHEET METAL FLASHING WITH 3" VERTICAL FACE. (AT TYPE 2 AND TYPE 3 WALL PANELS)
- (6) PRE-ENGINEERED METAL BUILDING SHEET METAL FLASHING WITH 3" VERTICAL FACE (AT TYPE 1 WALL PANELS)
- (7) PRE-ENGINEERED METAL BUILDING SHEET METAL WALL PANEL TRIM
- (8) PRE-ENGINEERED METAL BUILDING SHEET METAL GUTTER AND DOWNSPOUT SYSTEM
- (9) PRE-ENGINEERED METAL BUILDING SHEET METAL DOOR TRIM
- (10) LINE OF ROOF BEYOND WITH 1/4":12" SLOPE MINIMUM
- (11) SURFACE MOUNTED SIGN OWNER FURNISHED AND INSTALLED. PROVIDE BACKING FOR MOUNTING AND ROUGH-IN ELECTRICAL COORDINATE REQUIREMENTS WITH OWNER. REFER TO SHEET SG2.1.
- (12) BUILDING ADDRESS NUMBERS IN 6" HIGH HELVETICA WHITE VINYL ADHERED TO EXTERIOR FACE OF GLAZING.
- (13) EXTERIOR DOOR AND FRAME SYSTEM. REFER TO FLOOR PLAN AND DOOR SCHEDULE FOR TYPES.
- (14) EXTERIOR WINDOW SYSTEM. REFER TO FLOOR PLAN AND WINDOW SCHEDULE FOR TYPES.
- (15) APPROXIMATE LINE OF FOUNDATION. REFER TO STRUCTURAL DRAWINGS.
- (16) STEEL BOLLARDS. REFER TO CIVIL AND STRUCTURAL DRAWINGS.
- (17) HOSE BIB. REFER TO PLUMBING DRAWINGS.
- (18) LIGHT FIXTURE. REFER TO ELECTRICAL DRAWINGS.
- (19) (NOT USED)
- (20) MECHANICAL ROOF TOP UNIT. REFER TO MECHANICAL DRAWINGS.
- (21) MECHANICAL WALL PENETRATIONS. REFER TO MECHANICAL DRAWINGS. PROVIDE FRAMING, FLASHING, AND SEALANT AS REQUIRED. INSTALL RESTROOM EXHAUST FANS 12" MINIMUM ABOVE INTERIOR CEILING FRAMING.
- (22) PLUMBING ROOF VENT. REFER TO PLUMBING DRAWINGS AND DETAIL 11/A4.2
- (23) CONCRETE SPLASH BLOCK INSTALL AT EACH DOWNSPOUT.



**CRAIG A. SCHNEIDER, AIA**  
 ARCHITECT  
 1736 East Sunshine, Suite 417  
 Springfield, Missouri 65804  
 417.862.6558  
 Fax: 417.862.3265  
 e-mail: architect@estrlschneider.com

**PROJECT:**  
 NEW O'REILLY AUTO PARTS STORE  
 US HWY 43  
 WINFIELD, AL  
**EXTERIOR ELEVATIONS**

**O'Reilly AUTO PARTS**  
 CORPORATE OFFICES  
 233 SOUTH PATTERSON  
 SPRINGFIELD, MISSOURI 65802  
 (417) 862-2674 TELEPHONE

COMM # 4308  
 DATE: 5-3-19  
 REVISION  
 DATE: