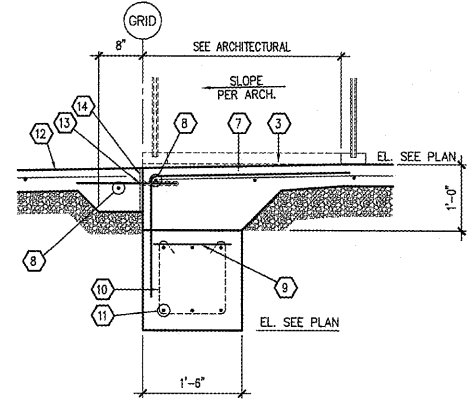
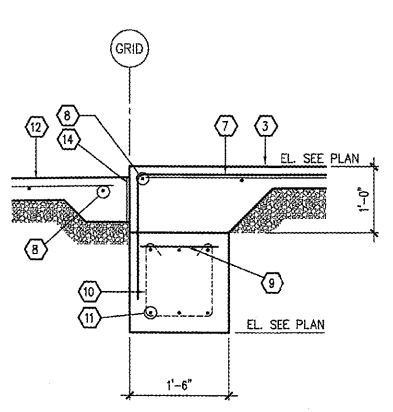


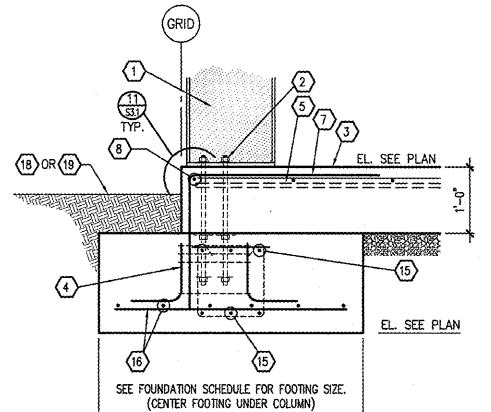
1 SECTION
S3.1 SCALE: 3/4" = 1'-0"



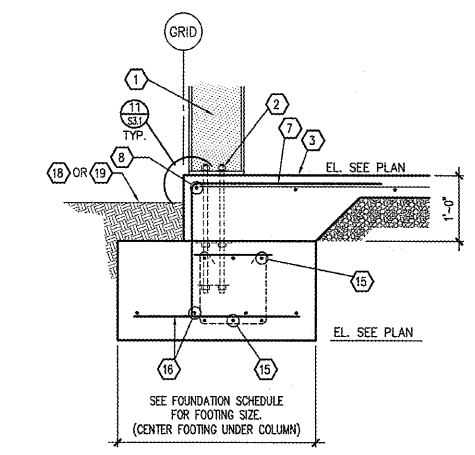
2 SECTION
S3.1 SCALE: 3/4" = 1'-0"



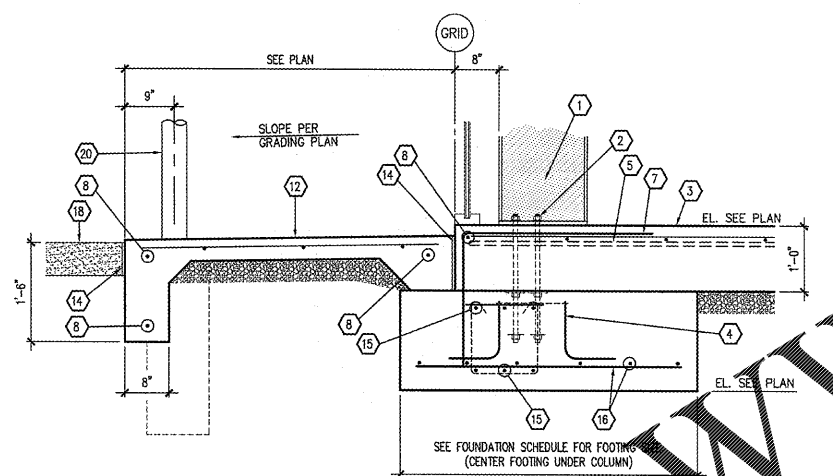
3 SECTION
S3.1 SCALE: 3/4" = 1'-0"



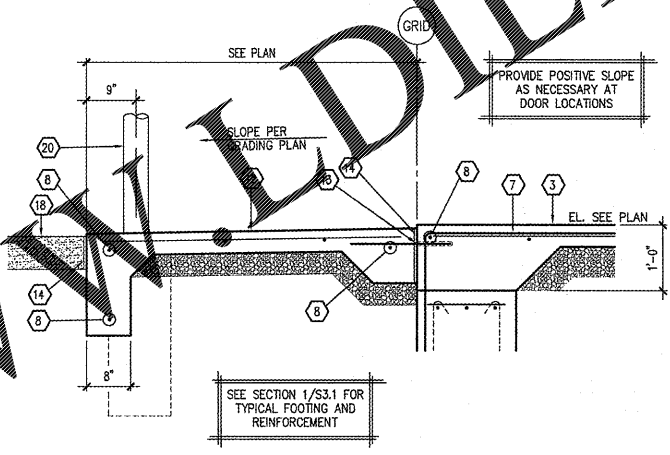
4 SECTION
S3.1 SCALE: 3/4" = 1'-0"



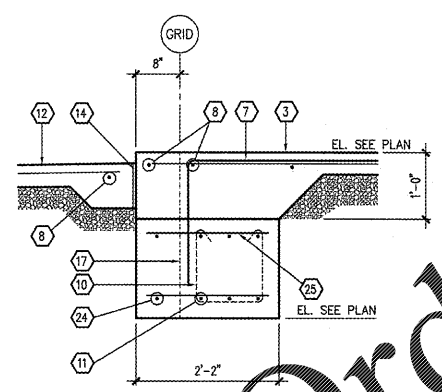
5 SECTION
S3.1 SCALE: 3/4" = 1'-0"



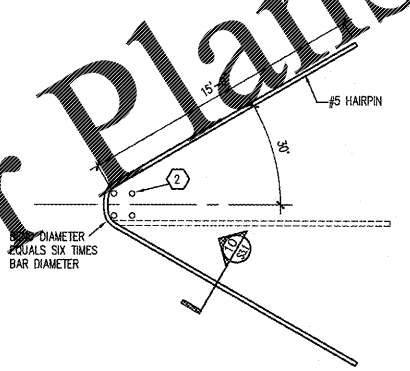
6 SECTION
S3.1 SCALE: 3/4" = 1'-0"



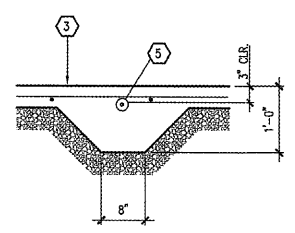
7 SECTION
S3.1 SCALE: 3/4" = 1'-0"



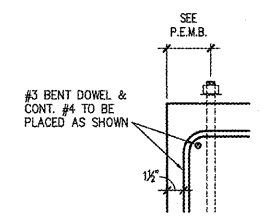
8 SECTION
S3.1 SCALE: 3/4" = 1'-0"



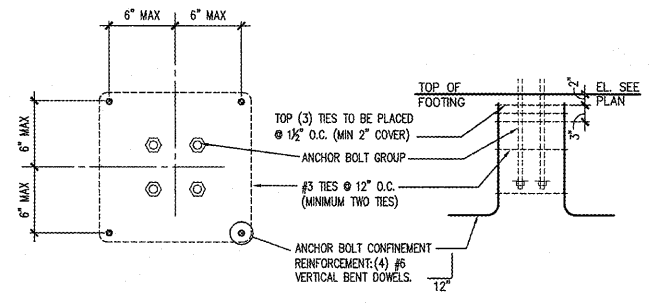
9 TYPICAL HAIRPIN DETAIL
S3.1 SCALE: NONE



10 SECTION
S3.1 SCALE: 3/4" = 1'-0"



11 DETAIL
S3.1 SCALE: 3/4" = 1'-0"



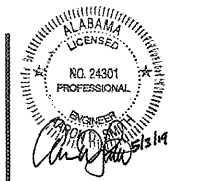
12 SECTION
S3.1 SCALE: VARIES

KEYNOTES

- 1 PRE-ENGINEERED METAL BUILDING STRUCTURAL SYSTEM. SEE P.E.M.B. SHOP DRAWINGS FOR ADDITIONAL INFORMATION.
- 2 ANCHOR BOLTS. SEE FOUNDATION DETAILS AND PRE-ENGINEERED METAL BUILDING DRAWINGS FOR SIZE, QUANTITY AND PLAN LOCATION. SEE 1/S3.2 FOR TYPICAL SHOP FABRICATED ANCHOR ASSEMBLY.
- 3 INTERIOR CONCRETE SLAB SEE FOUNDATION PLAN.
- 4 SEE DETAIL 12/S3.1 FOR VERTICAL ANCHOR BOLT CONFINEMENT REINFORCEMENT
- 5 SLAB HAIRPIN - SEE DETAIL 9/S3.1
- 6 SEE FOUNDATION SCHEDULE FOR PILASTER REINFORCEMENT.
- 7 #3x5'-0" DOWEL @ 36" O.C. FIELD BEND AS SHOWN 24"
- 8 #4 CONTINUOUS (PROVIDE BENT BARS AT LAB CORNERS)
- 9 #3 DOWELS @ 48" O.C.
- 10 #3 STIRRUPS @ 48" O.C.
- 11 (3) #4'S CONTINUOUS TOP & BOTTOM.
- 12 EXTERIOR CONCRETE SLAB OR SIDEWALK SEE FOUNDATION PLAN.
- 13 AT EXTERIOR DOOR LOCATIONS DRILL 6" DEEP HOLES FOR #4x1'-6" DOWELS @ 24" O.C. AND ADHERE IN PLACE. SEE ADHESIVE ANCHOR SYSTEM NOTES SHEET S1.1 FOR INFORMATION
- 14 1/2" ISOLATION JOINT WITH ASPHALTIC FILLER & SEALANT
- 15 CONTINUOUS FOOTING REINFORCEMENT TO RUN THROUGH COLUMN FOUNDATIONS. SEE SECTION 1/S3.1 FOR REINFORCEMENT INFORMATION.
- 16 COLUMN FOOTING REINFORCEMENT-SEE FOUNDATION SCHEDULE.
- 17 CONTINUOUS FOOTING BEYOND
- 18 PAVING, SEE SITE DEVELOPMENT DRAWINGS FOR ADDITIONAL INFORMATION.
- 19 SEE GRADING PLAN FOR FINISHED GRADES.
- 20 STEEL BOLLARD SEE SITE PLAN.
- 21 #4 CORNER REINFORCEMENT CENTERED IN SLAB. 36"
- 22 (5) #3 TIES @ 12" O.C.
- 23 #3 TIES @ 12" O.C.
- 24 ADDITIONAL #4 CONTINUOUS AT TOP AND BOTTOM.
- 25 #3 @ 18" TOP AND BOTTOM.

Order Plans @

WWW.DIline.com



CRIG A. SNEIDER, AIA
ARCHITECT
417.862.0558
417.862.3265
417.862.3265
e-mail: architect@estefysneider.com

PROJECT:
NEW O'REILLY AUTO PARTS STORE
US HWY 43
WINFIELD, AL
FOUNDATION DETAILS

O'Reilly AUTO PARTS
CORPORATE OFFICES
233 SOUTH PATTERSON
SPRINGFIELD, MISSOURI 65802
(417) 862-2674 TELEPHONE

COMM # 4308
DATE: 5-3-19
REVISION
DATE:

JS Smith Consulting Engineers
Alabama State Certificate of Authorization CA-2283-E
Aaron D. Smith P.E. 24301
1801 W 32nd St. Bldg B Site 104 * JOPLIN, MISSOURI 64802
P.O. Box 8102 * JOPLIN, MISSOURI 64802
PHONE: 417-624-0444 * FAX: 417-624-0430