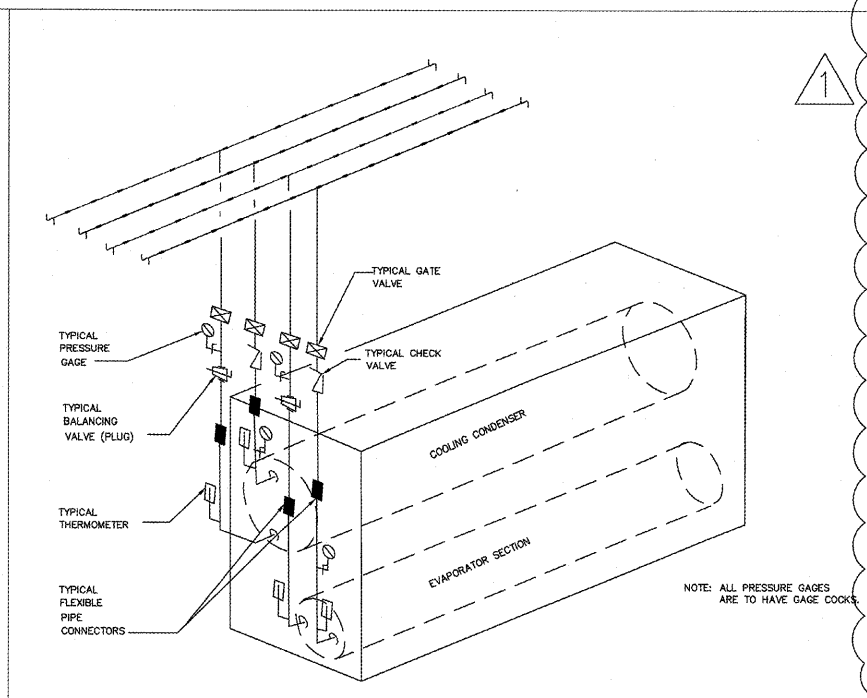
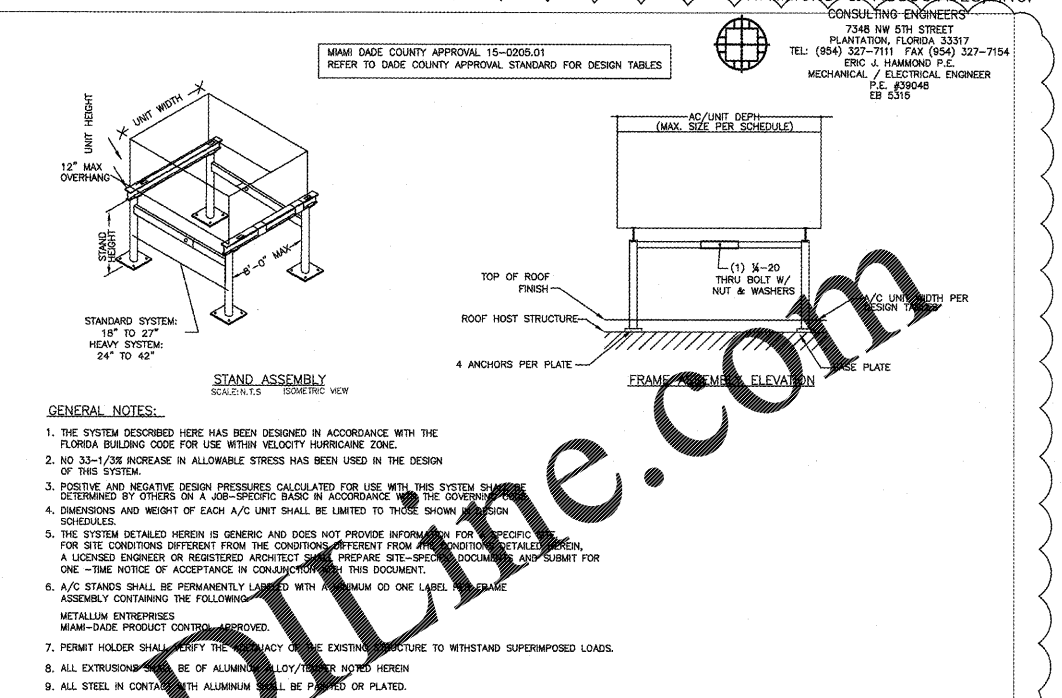


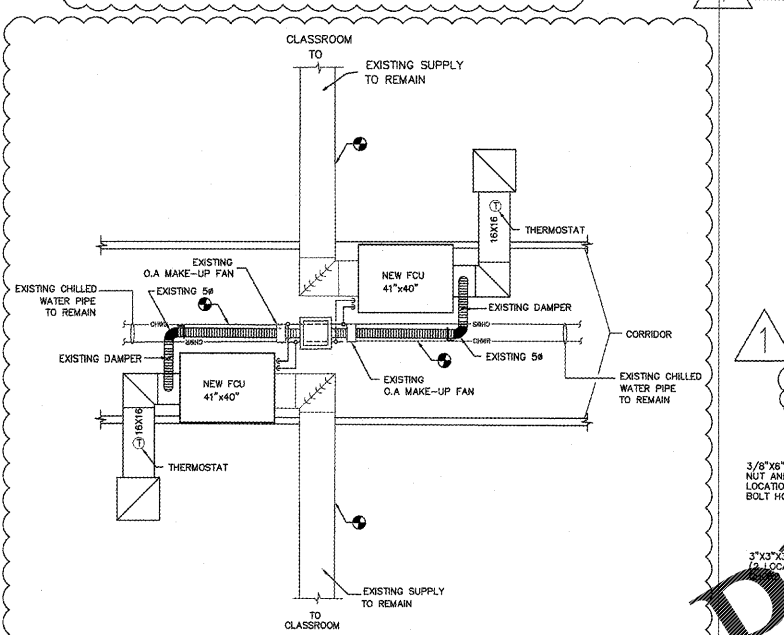
1 ENLARGED FAN COIL UNIT DEMOLITION PLAN  
 M301 SCALE: N.T.S.



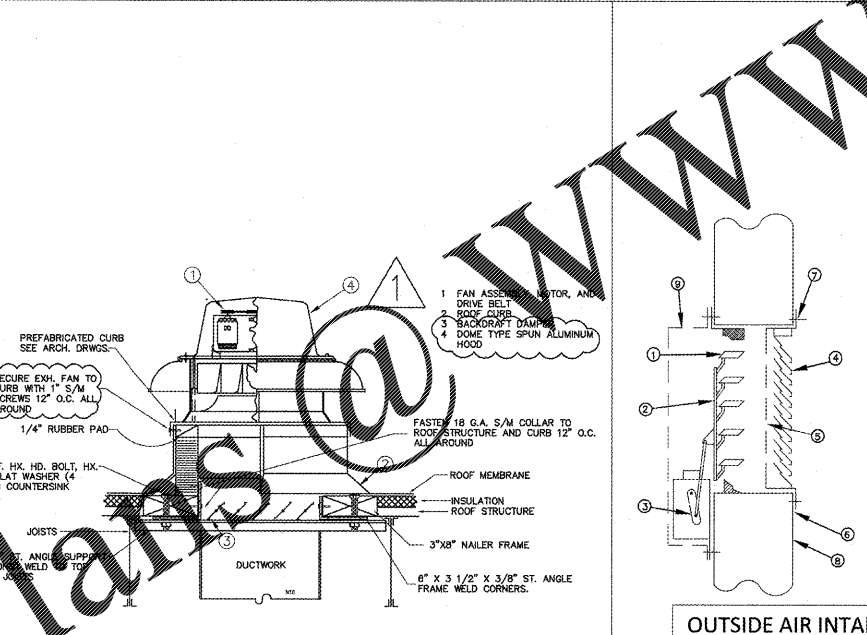
2 EXISTING TYPICAL CHILLER PIPING DIAGRAM TO REMAIN  
 M301 SCALE: N.T.S.



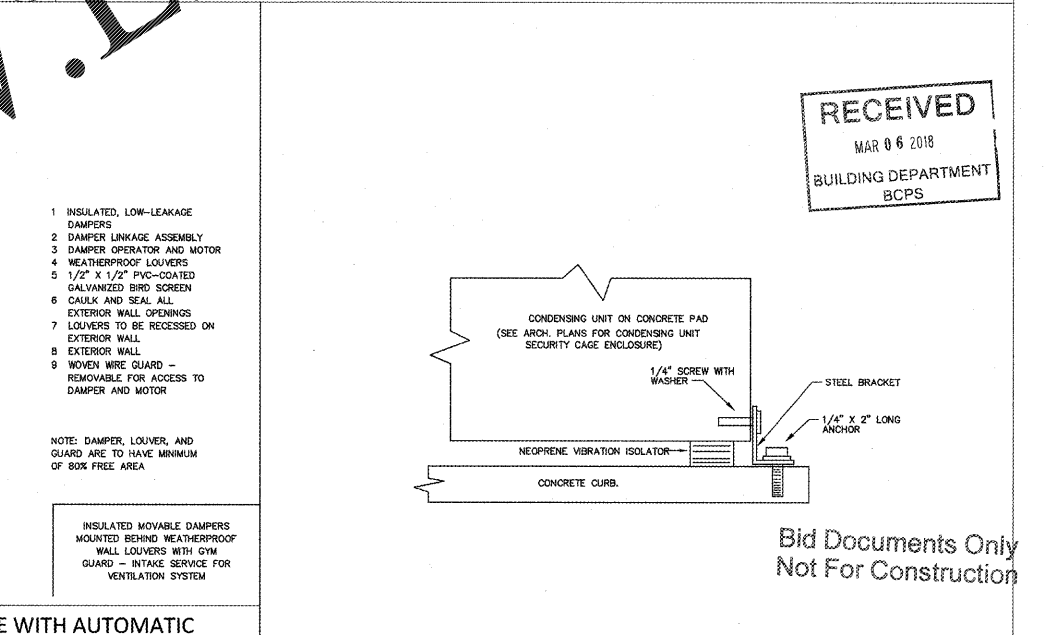
3 ROOF TOP CONDENSING UNIT MOUNTING DETAIL  
 M301 SCALE: N.T.S.



4 ENLARGED FAN COIL UNIT NEW WORK PLAN  
 M301 SCALE: N.T.S.



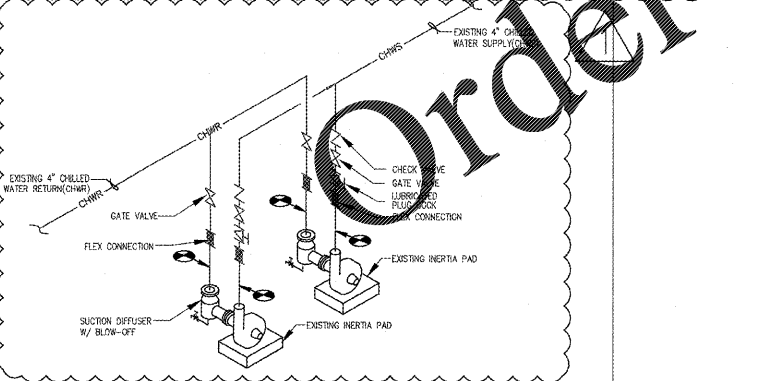
5 CENTRIFUGAL ROOF EXHAUST DETAIL  
 M301 SCALE: N.T.S.



6 AND MANUAL DAMPER  
 M301 SCALE: N.T.S.

RECEIVED  
 MAR 06 2018  
 BUILDING DEPARTMENT  
 BCPS

Bid Documents Only  
 Not For Construction



8 NEW CHILLED WATER PUMP CONNECTION DETAIL  
 M301 SCALE: N.T.S.

SEA CASTLE  
 ELEMENTARY SCHOOL  
 9000 MIRAMAR BOULEVARD  
 MIRAMAR, FLORIDA 33025



THE SCHOOL BOARD OF BROWARD COUNTY  
 MECHANICAL DETAILS CONT'D.

JOB PHASE: 100% SUBMITTAL  
 SBBC PROJECT: P.001632  
 DATE: 12.13.16  
 SCALE: AS SHOWN  
 DRAWN BY: HA  
 CHECKED BY: E.H.  
 CAE PROJECT NO. 2015.55

FL LICENSED PROFESSIONAL ENGINEER  
 ERIC J. HAMMOND  
 NO. 39048  
 SEAL

DRAWING No.  
 M-301