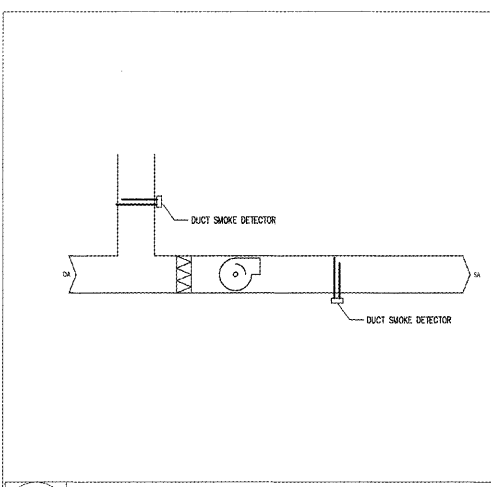


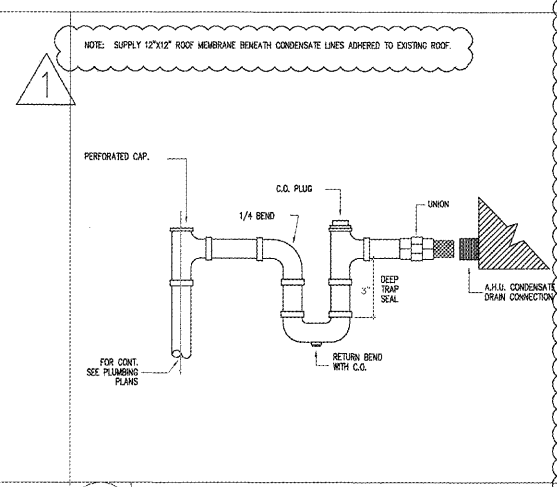


REVISIONS	BUILDING DEPARTMENT COMMENTS
1	10/23/18

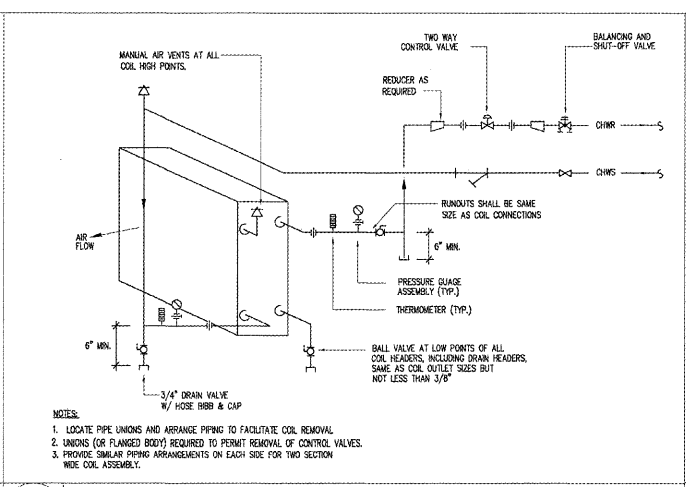
RECEIVED  
 MAR 06 2018  
 BUILDING DEPARTMENT  
 BCPS



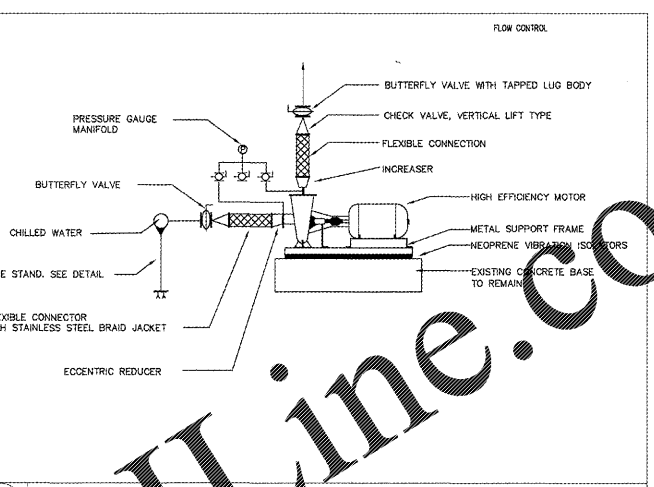
1 DUCT SMOKE DETECTOR DETAIL  
 M300 SCALE: N.T.S.



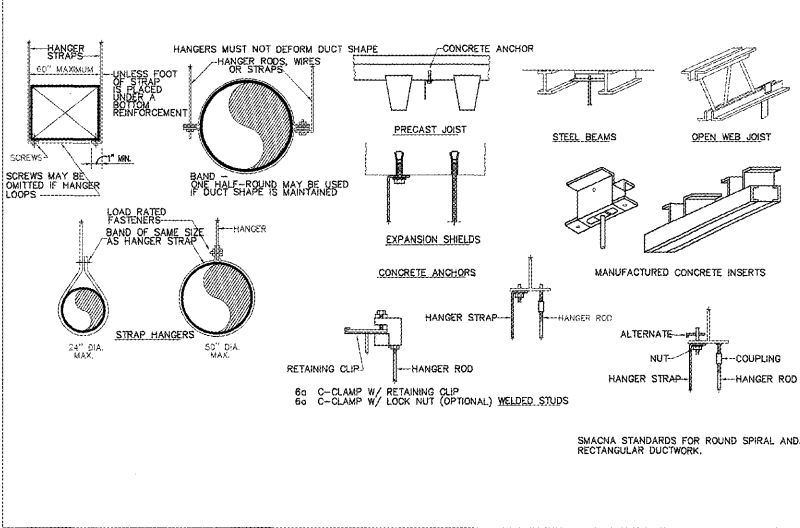
2 CONDENSATE DRAIN DETAIL  
 M300 SCALE: N.T.S.



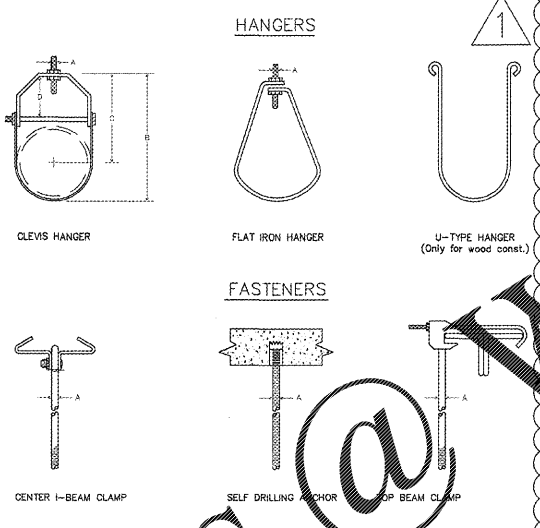
3 2-WAY MODULATING COIL PIPING DIAGRAM  
 M300 SCALE: N.T.S.



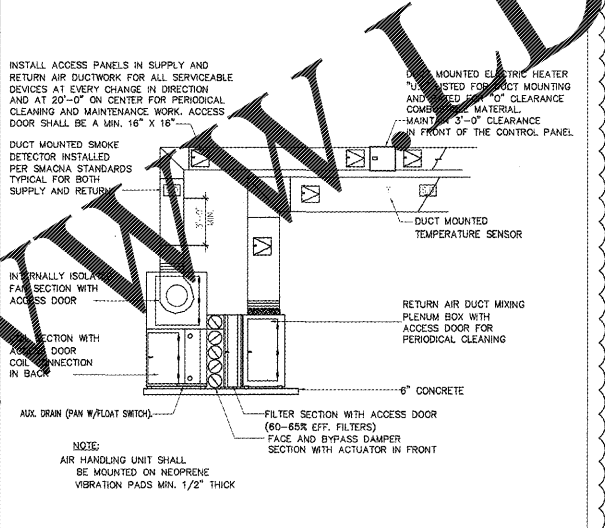
4 PUMP INSTALLATION DETAIL  
 M-300 SCALE: N.T.S.



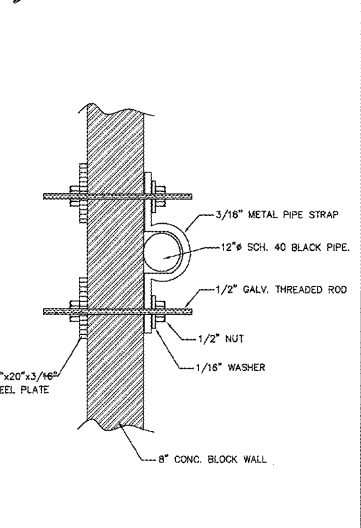
5 DUCT HANGING DETAIL  
 M300 SCALE: N.T.S.



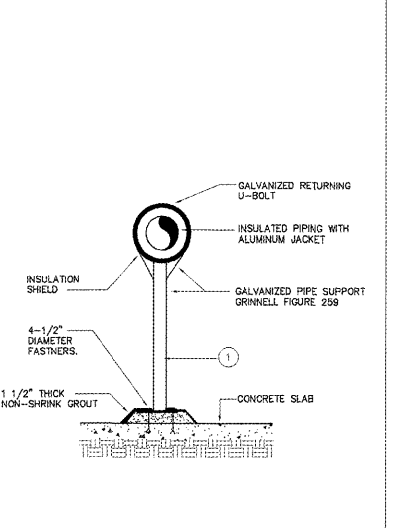
6 PIPE HANGING DETAIL  
 M300 SCALE: N.T.S.



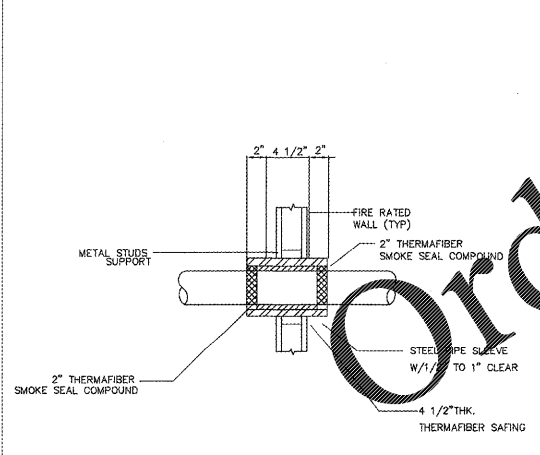
7 AHU MOUNTING DETAIL  
 M300 SCALE: N.T.S.



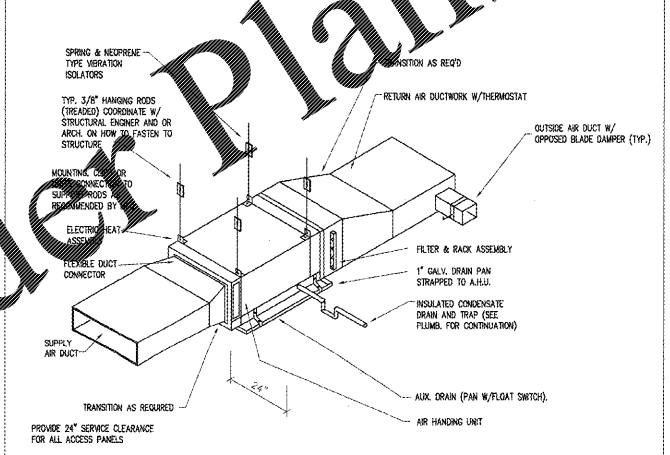
8 PIPE SUPPORT DETAIL  
 M300 SCALE: N.T.S.



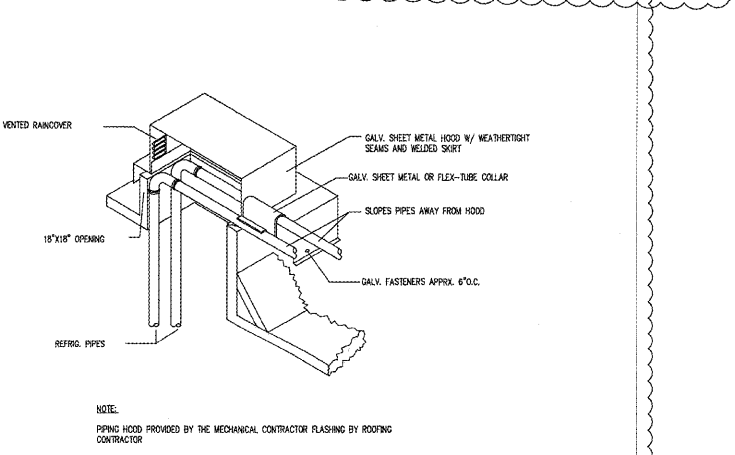
9 PIPE SUPPORT DETAIL  
 M300 SCALE: N.T.S.



10 PIPE SLEEVE DETAIL  
 M-300 SCALE: N.T.S.



11 FAN COIL UNIT DETAIL  
 M300 SCALE: N.T.S.



12 ROOF REFRIGERANT LINES COVER DETAIL  
 M300 SCALE: N.T.S.

Bid Documents Only  
 Not For Construction

Order Plans @ [www.dl-line.com](http://www.dl-line.com)

SEA CASTLE  
 ELEMENTARY SCHOOL  
 9600 MIRAMAR BOULEVARD  
 MIRAMAR, FLORIDA 33025



THE SCHOOL BOARD OF BROWARD COUNTY

MECHANICAL DETAILS

JOB PHASE: 100% SUBMITTAL  
 SBBC PROJECT: P-001632  
 DATE: 12.13.18  
 SCALE: AS SHOWN  
 DRAWN BY: HA  
 CHECKED BY: E.H.  
 CAE PROJECT NO. 2015.55



SEAL  
 DRAWING No.  
**M-300**

THIS IS A VIOLATION OF THE LAW FOR ANY PERSON, UNLESS ACTING UNDER THE DIRECTION OF A LICENSED ARCHITECT, TO ALTER THESE PLANS AND SPECIFICATIONS. THIS DOCUMENT CONTAINS PROPERTY INFORMATION AND SHALL NOT BE USED OR REPRODUCED, OR ITS CONTENTS DISCLOSED, IN WHOLE OR IN PART, WITHOUT THE PRIOR WRITTEN CONSENT OF CRAIN ATLANTIS ENGINEERING, INC. COPYRIGHT 2014 CRAIN ATLANTIS ENGINEERING, INC.