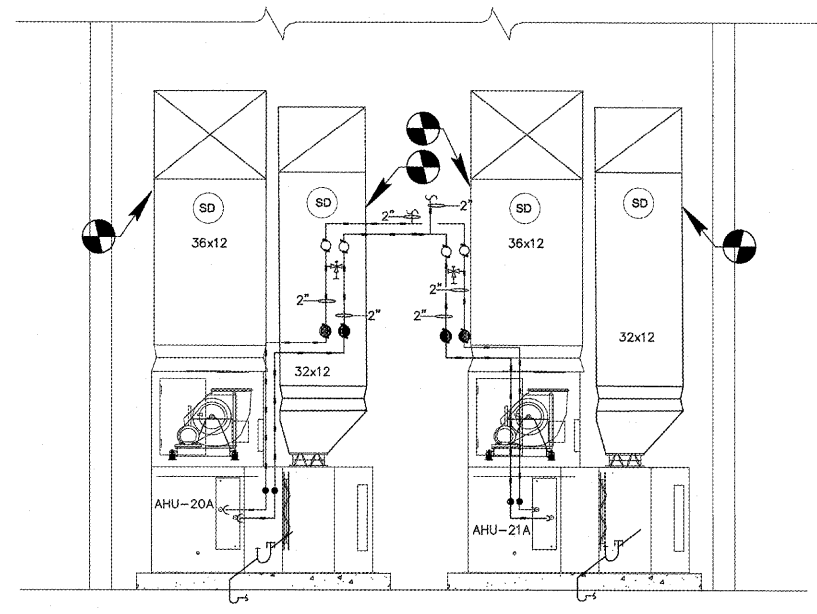


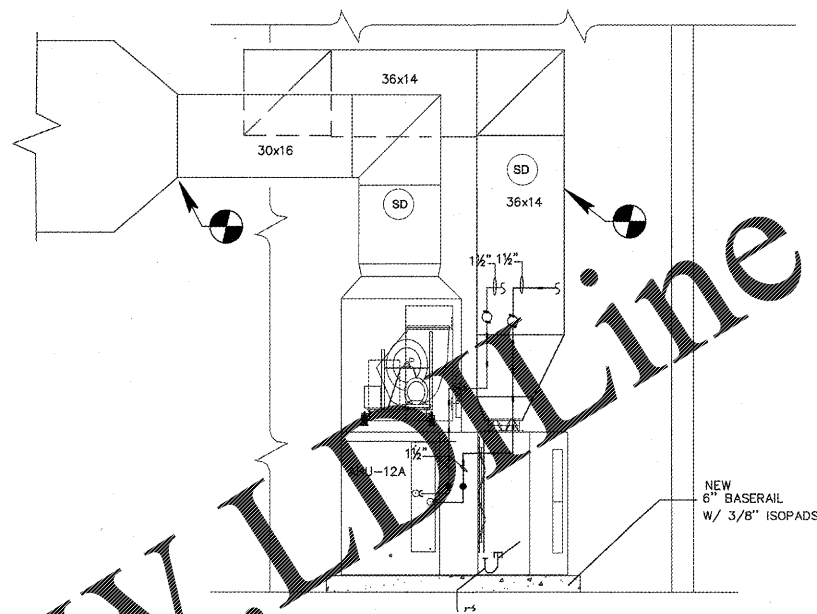
DRAWING KEY NOTES:
 ① LOCATION OF NEW AIR HANDLING UNIT.
 ② COIL PULL AREA

HAMMOND & ASSOCIATES, INC.
 CONSULTING ENGINEERS
 7348 NW 5TH STREET
 PLANTATION, FLORIDA 33317
 TEL: (954) 327-7111 FAX (954) 327-7154
 ERIC J. HAMMOND P.E.
 MECHANICAL / ELECTRICAL ENGINEER
 P.E. #39048
 EB 5315

CRAIN ATLANTIS
 ENGINEERING, INC.
 CONSULTING ENGINEERS & ARCHITECTS
 210 SW 14TH AVENUE
 DEERFIELD BEACH, FLORIDA 33441
 AA 25001858 EB - 27488

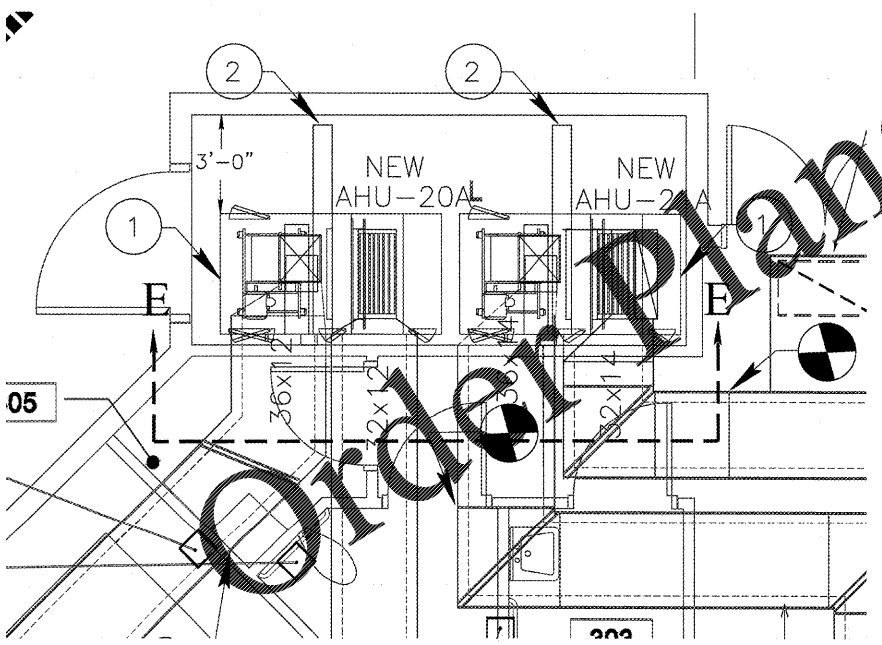


1 SECTION E-E MECHANICAL RM 306 BLDG 03
 SCALE: 3/8" = 1'-0"

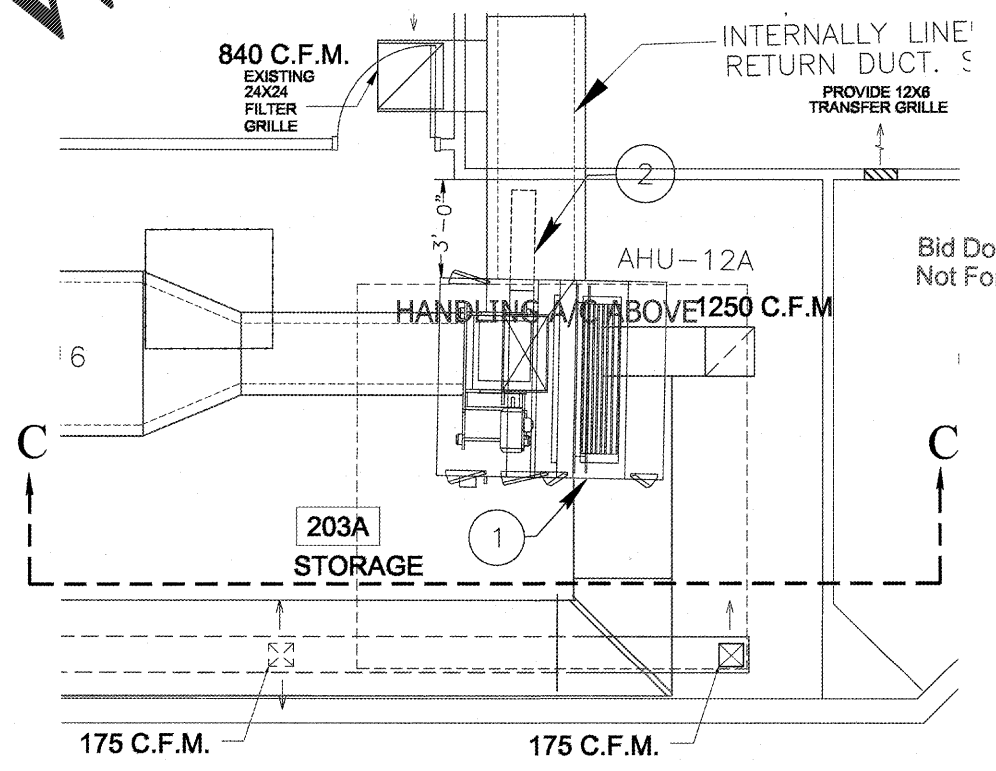


3 SECTION C-C MECHANICAL RM 203A BLDG 02
 SCALE: 3/8" = 1'-0"

RECEIVED
 MAR 06 2018
 BUILDING DEPARTMENT
 BCPS



2 ENLARGEMENT OF MECHANICAL RM 306 BLDG 03
 SCALE: 3/8" = 1'-0"



4 ENLARGEMENT OF MECHANICAL RM 203A BLDG 02
 SCALE: 3/8" = 1'-0"

CHANGES MADE TO
 ENTIRE SHEET

REVISIONS	BUILDING DEPARTMENT COMMENTS
Δ 02/23/18	

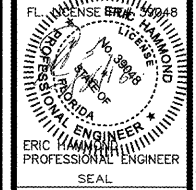
SEA CASTLE
 ELEMENTARY SCHOOL
 9600 MIRAMAR BOULEVARD
 MIRAMAR, FLORIDA 33025



THE SCHOOL BOARD OF BROWARD COUNTY

MECHANICAL ROOM
 ENLARGEMENT
 AND SECTION PLAN
 (CONT.)

JOB PHASE: 100% SUBMITTAL
 SBBC PROJECT: P-001632
 DATE: 12.13.16
 SCALE: AS SHOWN
 DRAWN BY: HA
 CHECKED BY: E.H.
 CAE PROJECT NO. 2015.55



DRAWING No.
M-202

THIS IS A VIOLATION OF THE LAW FOR ANY PERSON, UNLESS ACTING UNDER THE DIRECTION OF A LICENSED ARCHITECT, TO ALTER THESE PLANS AND SPECIFICATIONS. THIS DOCUMENT CONTAINS PROPERTY INFORMATION AND SHALL NOT BE USED OR REPRODUCED, IN WHOLE OR IN PART, WITHOUT THE PRIOR WRITTEN CONSENT OF CRAIN ATLANTIS ENGINEERING, INC. COPYRIGHT 2014 CRAIN ATLANTIS ENGINEERING, INC.