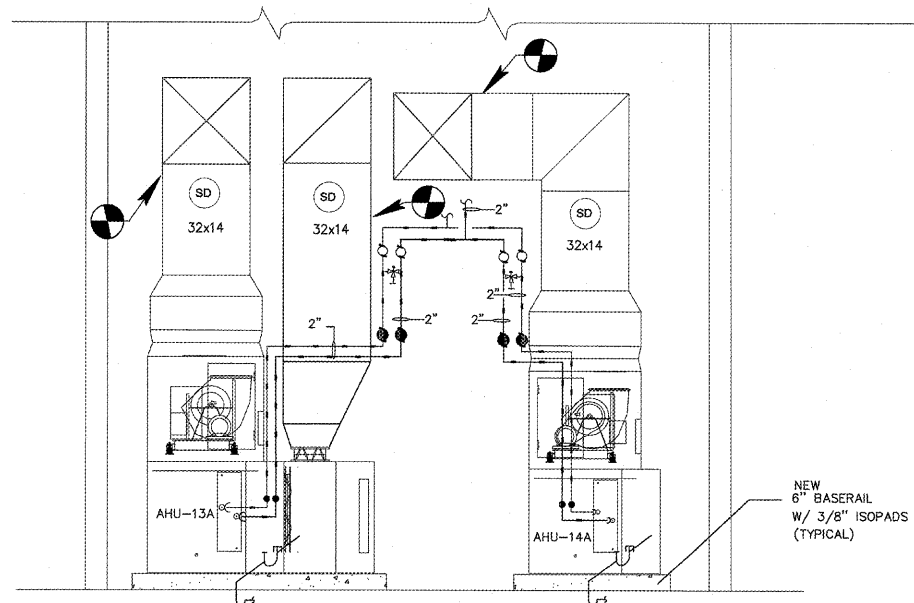


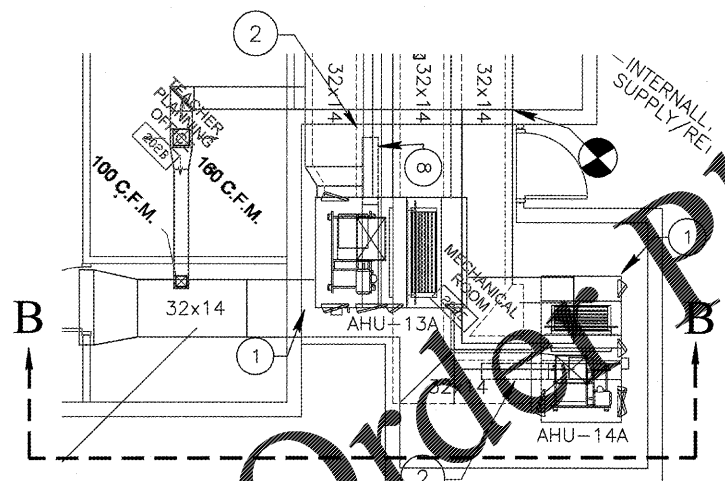
DRAWING KEY NOTES:

- ① LOCATION OF NEW AIR HANDLING UNIT.
- ② COIL PULL AREA

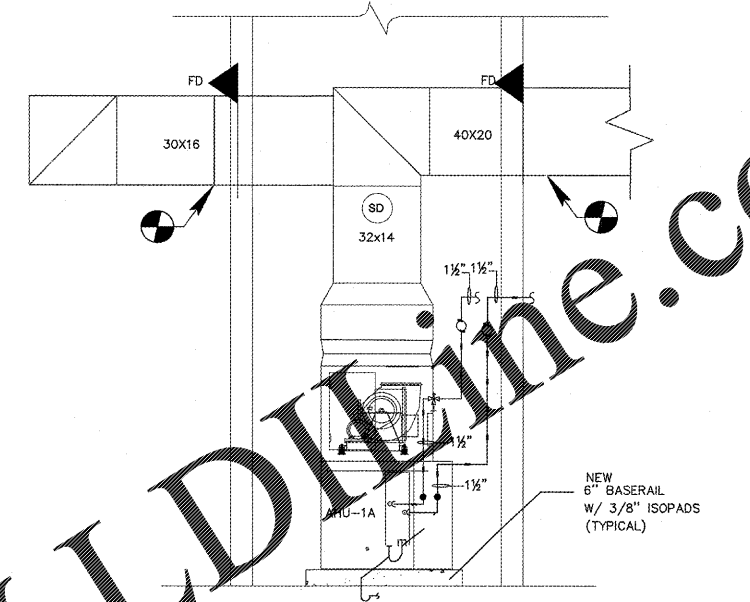


SECTION B-B

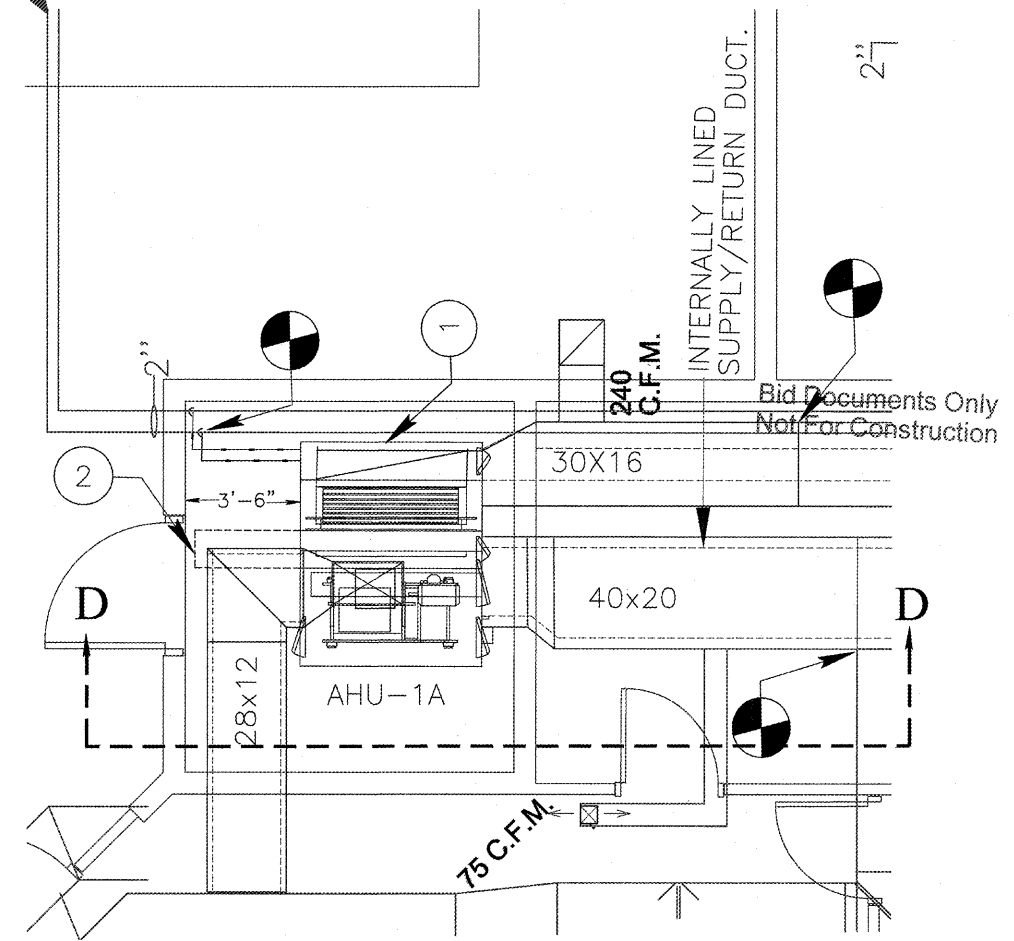
1 SECTION B-B MECHANICAL RM 202A BLDG 02
SCALE: 3/8" = 1'-0"



2 ENLARGEMENT OF MECHANICAL RM 202A BLDG 02
SCALE: 3/8" = 1'-0"



SECTION D-D MECHANICAL RM 124 BLDG 01
SCALE: 3/8" = 1'-0"



4 ENLARGEMENT OF MECHANICAL RM 124 BLDG 01
SCALE: 3/8" = 1'-0"

HAMMOND & ASSOCIATES, INC.
CONSULTING ENGINEERS
7348 NW 5TH STREET
PLANTATION, FLORIDA 33317
TEL: (954) 327-7111 FAX (954) 327-7154
ERIC J. HAMMOND P.E.
MECHANICAL / ELECTRICAL ENGINEER
P.E. #39048
EB 5315



CRAIN ATLANTIS
ENGINEERING, INC.
CONSULTING ENGINEERS & ARCHITECTS
210 SW ANDRUE AVENUE
DEERFIELD BEACH, FLORIDA 33441
AA 26001838 EB - 27488
COPYRIGHT 2014 CRAIN ATLANTIS ENGINEERING, INC.

REVISIONS	BUILDING DEPARTMENT COMMENTS
Δ 02/23/18	

SEA CASTLE
ELEMENTARY SCHOOL
9600 MIRAMAR BOULEVARD
MIRAMAR, FLORIDA 33025



THE SCHOOL BOARD OF BROWARD COUNTY

RECEIVED
MAR 06 2018
BUILDING DEPARTMENT
BCPS

MECHANICAL ROOM
ENLARGEMENT
AND SECTION PLAN
(CONT.)

JOB PHASE: 100% SUBMITTAL
SBBG PROJECT: P-001632
DATE: 12.13.16
SCALE: AS SHOWN
DRAWN BY: HA
CHECKED BY: E.H.
CAE PROJECT NO. 2015.55

FLORIDA PROFESSIONAL ENGINEER
ERIC J. HAMMOND
P.E. #39048
EB 5315

SEAL
DRAWING No.

M-201

CHANGES MADE TO
ENTIRE SHEET

1

Order Plans @ WWW.LDLINE.COM

Bid Documents Only
Not For Construction

THIS IS A VIOLATION OF THE LAW FOR ANY PERSON, UNLESS ACTING UNDER THE DIRECTION OF A LICENSED ARCHITECT, TO ALTER THESE PLANS AND SPECIFICATIONS. THIS DOCUMENT CONTAINS PROPERTY INFORMATION AND SHALL NOT BE USED, REPRODUCED, OR ITS CONTENTS DISCLOSED, IN WHOLE OR IN PART, WITHOUT THE PRIOR WRITTEN CONSENT OF CRAIN ATLANTIS ENGINEERING, INC.