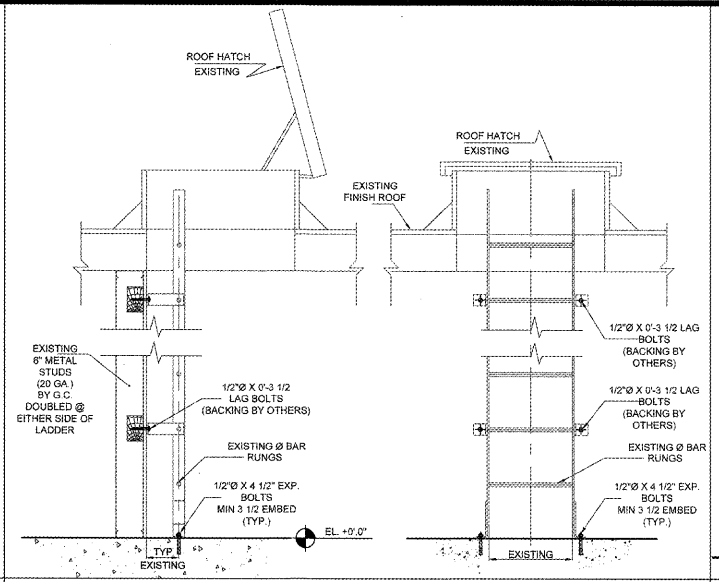
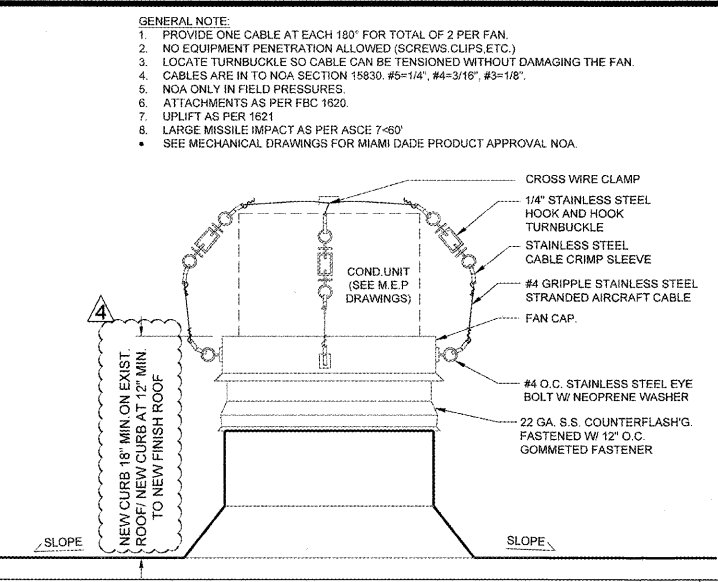


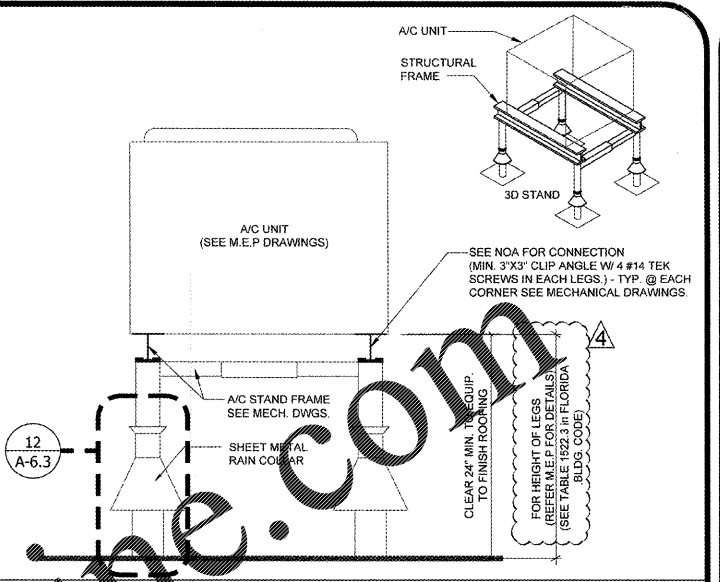
8 TYP. GAZEBO ROOF EDGE REPAIR DETAIL
 N.T.S.



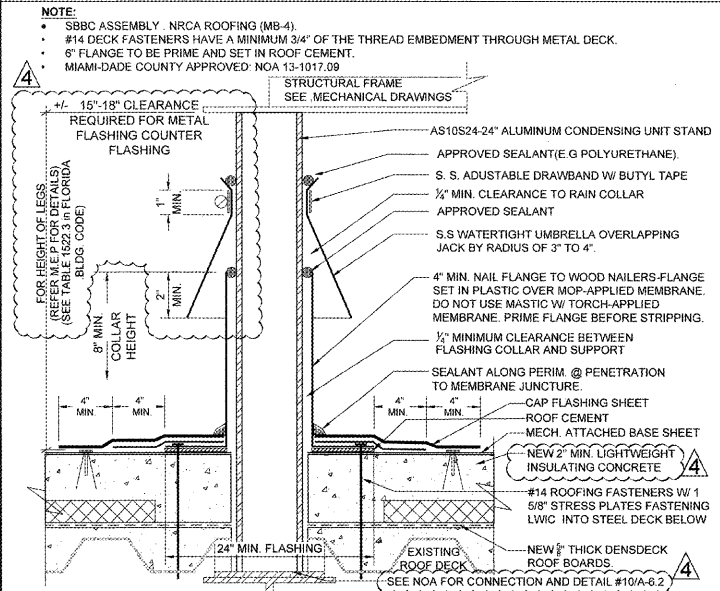
10 INTERIOR ROOF LADDER-RE-BOLT
 N.T.S.



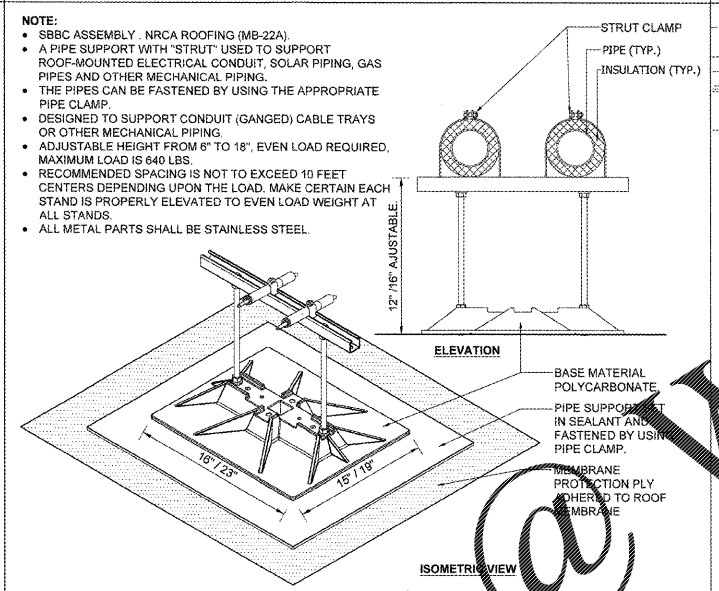
11 COND. UNIT TIE DOWN DETAIL
 N.T.S.



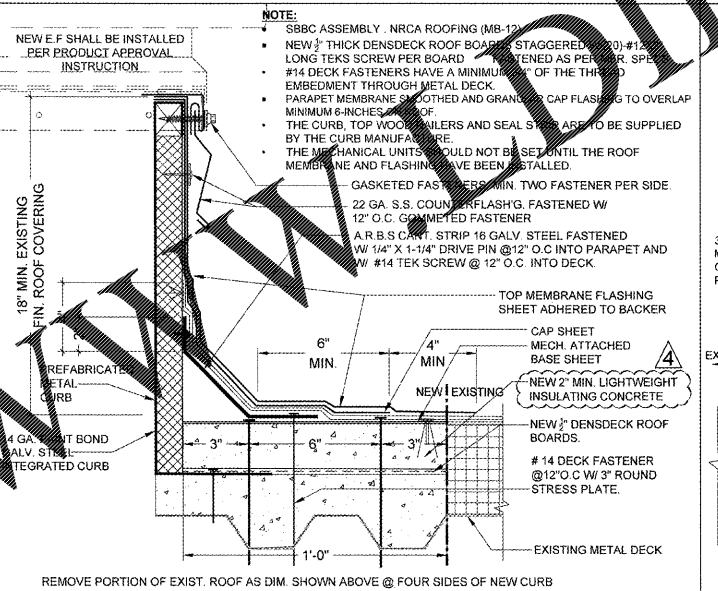
13 STAND TIE DOWN DETAIL - BLD #4
 N.T.S.



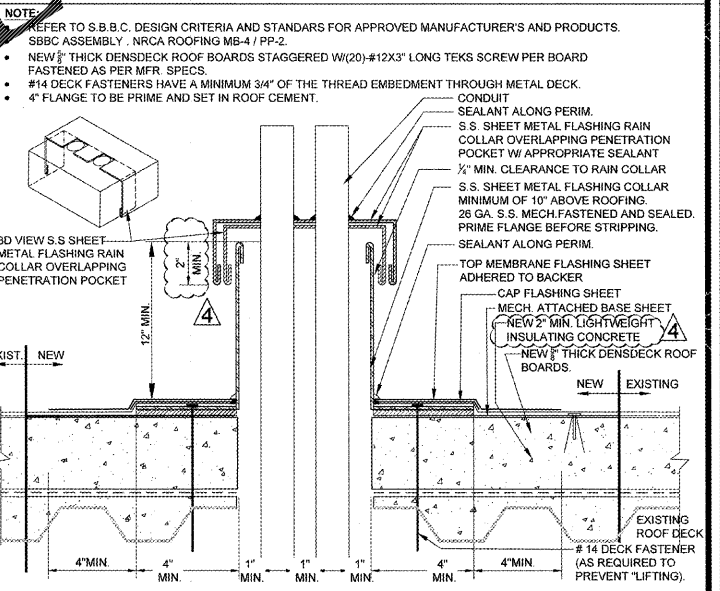
12 EQUIP. SUPPORT STAND - BLD #4
 N.T.S.



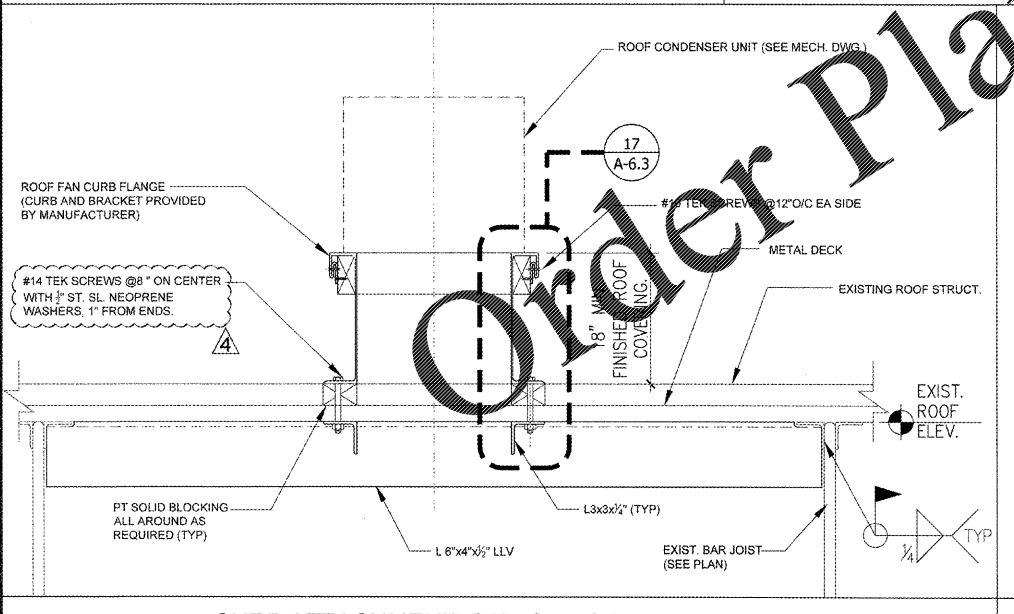
14 PIPING SUPPORT AT ROOF
 N.T.S.



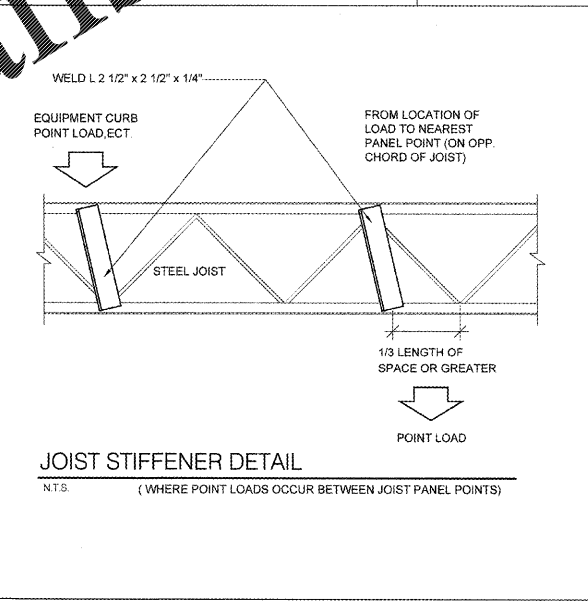
17 NEW CURB DETAIL-BLD #3 @EXIST. ROOF
 N.T.S.



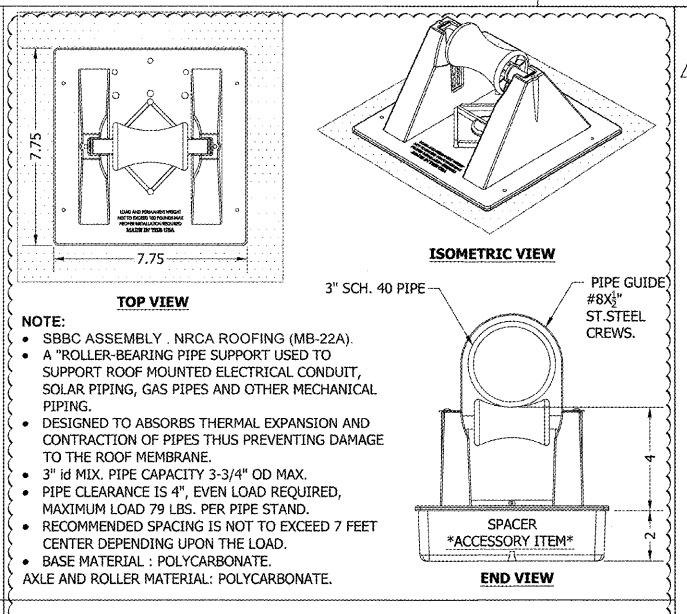
18 ELECTRIC CONDUIT SUPPORT @ EXIST. ROOF
 N.T.S.



15 CURB ATTACHMENT @EXIST ROOF - BLD #3
 N.T.S.



16 JOIST STIFFENER-BLD #4 @EXIST. ROOF
 N.T.S.



19 CONDENSATED PIPE SUPPORT AT ROOF
 N.T.S.

RECEIVED
 APR 22 2019
 BUILDING DEPARTMENT
 BCPS

Bid Documents Only
 Not For Construction

NOTE:
 ALL LOW/PARAPET WALL TO BE SMOOTHED AND FREE OF ROUGH SURFACES TO RECEIVE MEMBRANE FLASHING.

NOTE:
 REFER TO ROOFING SPECIFICATION AND DESIGN WIND PRESSURE DIAGRAM FOR ROOFING MEMBRANE ANCHORING SYSTEM & SPACING. PER FBC 2-14 FIFTH EDITION

NOTE:
 ALL DIMENSIONS AND EXACT LOCATION OF ALL EXISTING EQUIPMENT AND ASSOCIATED PARTS AND ACCESSORIES ARE TO BE FIELD VERIFIED BY THE CONTRACTOR.

100% CONSTRUCTION DOCUMENTS
 12-13-2017

CRAIN ATLANTIS ENGINEERING, INC.
 CONSULTING ENGINEERS & ARCHITECTS
 2710 SW 39th AVENUE, SUITE 3541
 DEERFIELD BEACH, FLORIDA 33441
 407.260.1858 EB - 27488

REVISIONS

NO.	DATE	DESCRIPTION
1	02/23/2018	BUILDING DEPARTMENT COMMENTS
2	06/05/2018	BUILDING DEPARTMENT COMMENTS
3	09/09/2018	BUILDING DEPARTMENT COMMENTS
4	04/15/2019	BUILDING DEPARTMENT COMMENTS

SEA CASTLE ELEMENTARY SCHOOL
 9600 MIRAMAR BOULEVARD
 MIRAMAR, FLORIDA 33025

THE SCHOOL BOARD OF BROWARD COUNTY

DETAILS

100% CONSTRUCTION DOCUMENTS
 SBBC PROJECT: P.001632
 DATE: 12-13-2017
 SCALE: AS SHOWN
 DRAWN BY: C.A.E.
 CHECKED BY: A.O./R.P.
 CAE PROJECT No. 2016.55

STATE OF FLORIDA
 REGISTERED ARCHITECT
 XAVIER SALAS
 AR # 88387

DRAWING No. A-6.3
 NEW SHEET