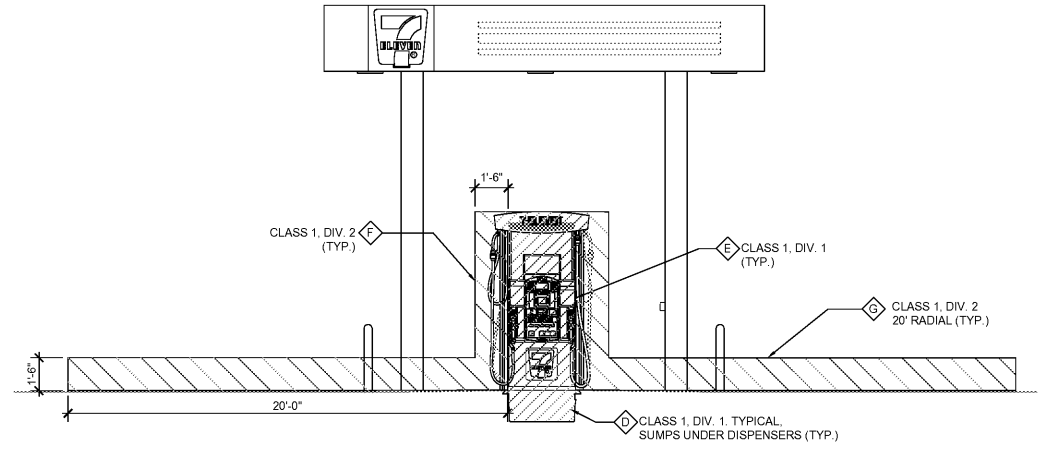
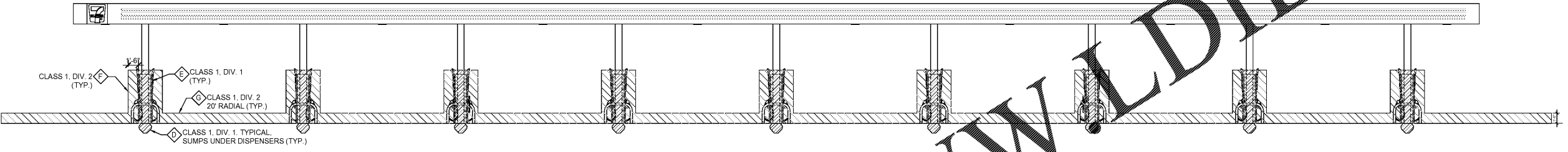


N.E.C. HAZARDOUS AREA NOTES

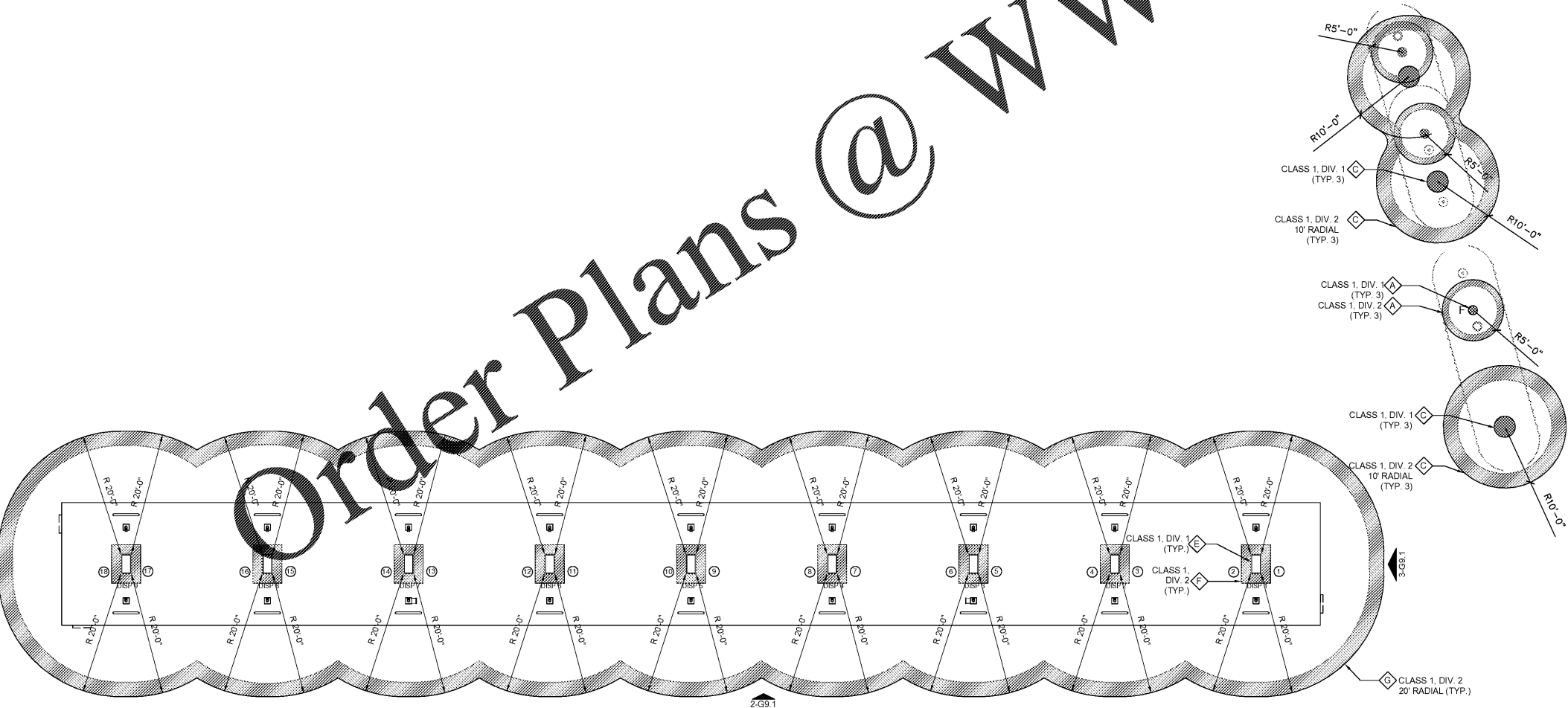
- A** TYPICAL N.E.C. ARTICLE 514 CLASS 1 LOCATION (UNDERGROUND TANK - FILL OPENING)
EXTENT OF CLASS 1, GROUP D, DIVISION 1 LOCATION:
ANY PIT, BOX, OR SPACE BELOW GRADE LEVEL, ANY PART OF WHICH IS WITHIN THE DIVISION 1 OR 2 CLASSIFIED LOCATION.
EXTENT OF CLASS 1, GROUP D, DIVISION 2 LOCATION:
UP TO 18 INCHES ABOVE GRADE LEVEL WITHIN A HORIZONTAL RADIUS OF 10 FEET FROM A LOOSE FILL CONNECTION AND WITHIN A HORIZONTAL RADIUS OF 5 FEET FROM A TIGHT FILL CONNECTION.
- B** TYPICAL N.E.C. ARTICLE 514 CLASS 1 LOCATION (UNDERGROUND TANK - VENT DISCHARGING UPWARD)
EXTENT OF CLASS 1, GROUP D, DIVISION 1 LOCATION:
WITHIN 5 FEET OF OPEN END OF VENT, EXTENDING IN ALL DIRECTIONS.
EXTENT OF CLASS 1, GROUP D, DIVISION 2 LOCATION:
SPACE BETWEEN 5 FEET AND 10 FEET OF OPEN END OF VENT, EXTENDING IN ALL DIRECTIONS.
- C** TYPICAL N.E.C. ARTICLE 514 CLASS 1 LOCATION (REMOTE PUMP - OUTDOOR)
EXTENT OF CLASS 1, GROUP D, DIVISION 1 LOCATION:
ANY PIT, BOX, OR SPACE BELOW GRADE LEVEL IF ANY PART IS WITHIN A HORIZONTAL DISTANCE OF 10 FEET FROM ANY EDGE OF PUMP.
EXTENT OF CLASS 1, GROUP D, DIVISION 2 LOCATION:
WITHIN 3 FEET OF ANY EDGE OF PUMP, EXTENDING IN ALL DIRECTION, ALSO UP TO 18 INCHES ABOVE GRADE LEVEL WITHIN 10 FEET HORIZONTALLY FROM ANY EDGE OF PUMP.
- D** TYPICAL N.E.C. ARTICLE 514 CLASS 1 LOCATION (DISPENSING DEVICE AND REMOTE VENT - PITS)
EXTENT OF CLASS 1, GROUP D, DIVISION 1 LOCATION:
ANY PIT, BOX, OR SPACE BELOW GRADE LEVEL, ANY PART OF WHICH IS WITHIN THE DIVISION 1 OR 2 CLASSIFICATION LOCATION.
- E** TYPICAL N.E.C. ARTICLE 514 CLASS 1 LOCATION (DISPENSING DEVICE - DISPENSER)
EXTENT OF CLASS 1, GROUP D, DIVISION 1 LOCATION:
SPACE CLASSIFICATION INSIDE THE DISPENSER ENCLOSURE IS COVERED IN ANSIIUL 87, "POWER OPERATED DISPENSING DEVICES FOR PETROLEUM PRODUCTS."
EXTENT OF CLASS 1, GROUP D, DIVISION 2 LOCATION:
WITHIN 18 INCHES HORIZONTALLY IN ALL DIRECTIONS EXTENDING TO GRADE FROM (1) THE DISPENSER ENCLOSURE OR (2) THAT PORTION OF THE DISPENSER ENCLOSURE CONTAINING LIQUID HANDLING COMPONENTS. SPACE CLASSIFICATION INSIDE THE DISPENSER ENCLOSURE IS COVERED IN ANSIIUL 87, "POWER OPERATED DISPENSING DEVICES FOR PETROLEUM PRODUCTS."
- F** TYPICAL N.E.C. ARTICLE 514 CLASS 1 LOCATION (DISPENSING DEVICE - DISPENSER)
EXTENT OF CLASS 1, GROUP D, DIVISION 1 LOCATION:
WITHIN 18 INCHES HORIZONTALLY IN ALL DIRECTIONS EXTENDING TO GRADE FROM (1) THE DISPENSER ENCLOSURE OR (2) THAT PORTION OF THE DISPENSER ENCLOSURE CONTAINING LIQUID HANDLING COMPONENTS. SPACE CLASSIFICATION INSIDE THE DISPENSER ENCLOSURE IS COVERED IN ANSIIUL 87, "POWER OPERATED DISPENSING DEVICES FOR PETROLEUM PRODUCTS."
- G** TYPICAL N.E.C. ARTICLE 514 CLASS 1 LOCATION (DISPENSING DEVICE - OUTDOOR)
EXTENT OF CLASS 1, GROUP D, DIVISION 1 LOCATION:
ANY PIT, BOX, OR SPACE BELOW GRADE LEVEL, ANY PART OF WHICH IS WITHIN THE DIVISION 1 OR 2 CLASSIFICATION LOCATION.
EXTENT OF CLASS 1, GROUP D, DIVISION 2 LOCATION:
UP TO 18 INCHES ABOVE GRADE LEVEL WITHIN 20 FEET HORIZONTALLY OF ANY EDGE OF ENCLOSURE.



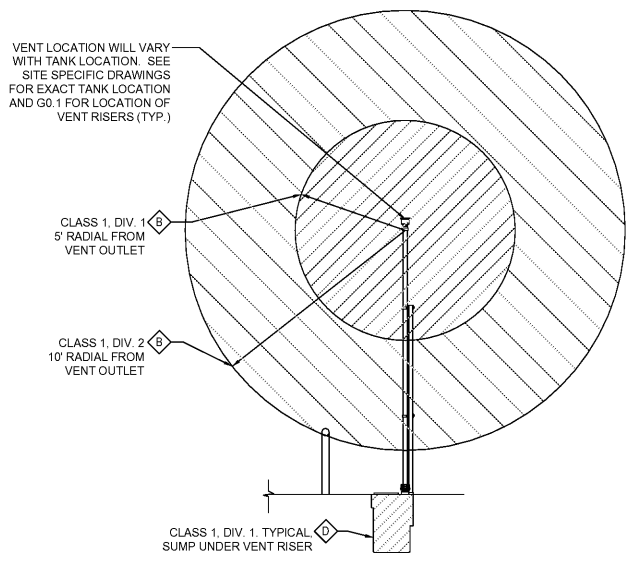
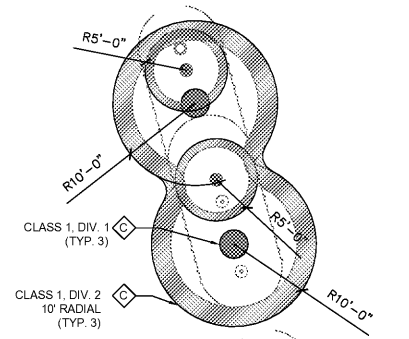
3 END ELEVATION
1/4" = 1'-0"



2 SIDE ELEVATION
1/4" = 1'-0"



1 N.E.C. CLASSIFIED AREA @ GROUND LEVEL
3/32" = 1'-0"



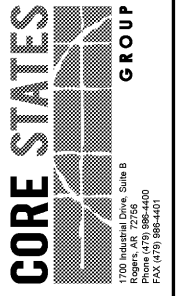
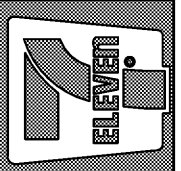
4 N.E.C. CLASSIFIED AREA AT REMOTE VENT
1/4" = 1'-0"

PRINTED BY: RINGITZ
DRAWING NAME: 30777 - 03.1 N.E.C. CLASSIFIED AREAS
PRINT DATE: Jan 04, 2019 - 5:42pm

Order Plans @ www.WLDLine.com

Rev. #	Date	Description

7-ELEVEN, INC.
3200 HACKBERRY ROAD, IRVING TEXAS 75063
7-ELEVEN #38777
US 301 & FORT HAMER ROAD
PARRISH, FL 34219
N.E.C. CLASSIFIED AREA



Job#: SEI-26848
Scale: AS NOTED
Date: 05/06/19
Drawn By: RMK
Checked By: KMS

Documents prepared by Core States Group are to be used only for the specific project and intended. Any extension of use to other projects, by owner or any other party, without the consent of Core States Group is done at the user's own risk. If used in a manner not intended, user will hold Core States Group harmless from all claims and losses.



SHEET:
G9.1
FUELING - USA