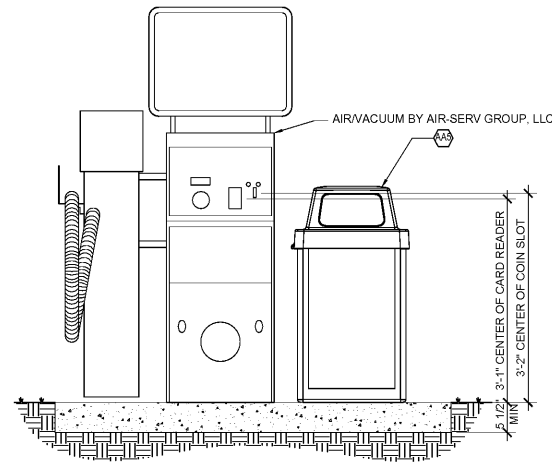


KEY NOTES

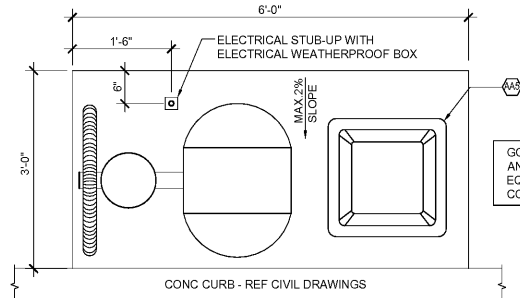
- 1 PAINT VENT PIPES "EXTRA WHITE" SW7006.
- 2 PAINT VENT RACK, BOLLARDS AND ALL OTHER EXPOSED METALS "SEAL SKIN" SW7675.



FRONT

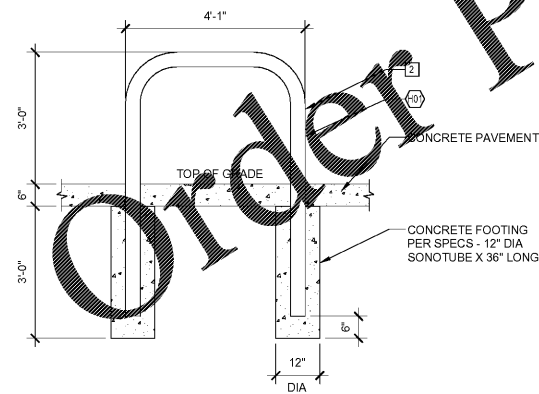
NOTE:  
MAXIMUM 2 PERCENT GRADE SLOPE EACH WAY  
REQUIRED FOR AMERICANS WITH DISABILITIES ACT

1. ELECTRICAL NEEDS ARE #10 WIRE (30 AMP) WITH GROUND

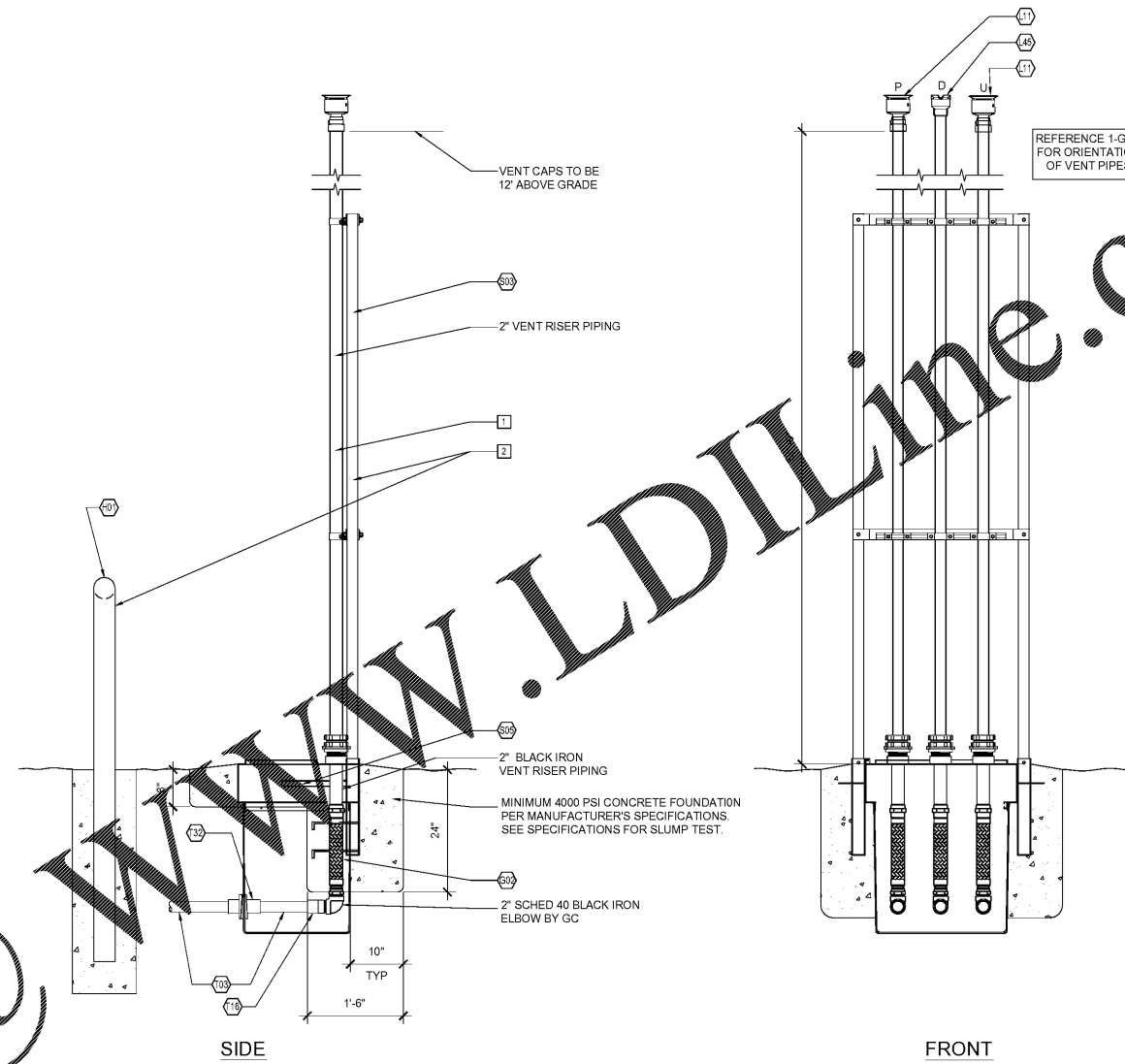


PLAN

3 AIR-VAC MACHINE DETAILS  
3/4"=1'-0"

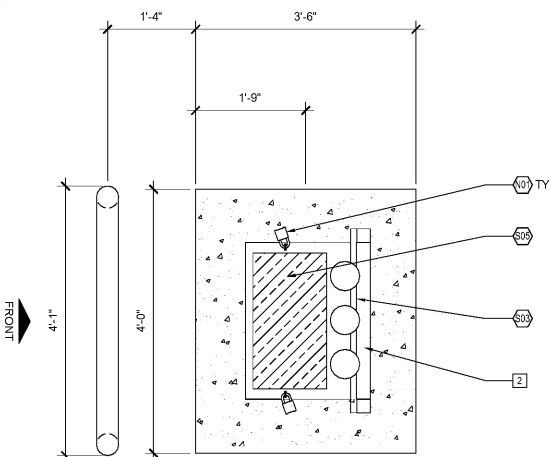


2 HOOP BOLLARD DETAIL  
1/2"=1'-0"



SIDE

FRONT



PLAN

1 TANK VENT RISER SECTIONS  
3/4"=1'-0"

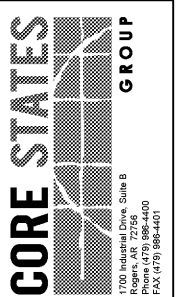
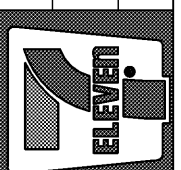
Rev. #	Date	Description

Proto 11-05-18

7-ELEVEN, INC.  
3200 HACKBERRY ROAD, IRVING TEXAS 75063

7-ELEVEN #38777  
US 301 & FORT HAMER ROAD  
PARRISH, FL. 34219

REMOTE VENT AND DETAILS



Job#:	SEI-26848
Scale:	AS NOTED
Date:	05/06/19
Drawn By:	RMK
Checked By:	KMS

Documents prepared by Core States Group are to be used only for the specific project and no other project or extension of use intended. Any extension of use to other projects, by owner or any other party, without the written consent of Core States Group is done at the user's own risk. If used in a project not intended by Core States Group, Core States Group shall not be held responsible for any claims and losses.



SHEET:  
**G6.0**  
FUELING - USA