

GENERAL NOTES

- 1 AFTER ALL UNDERGROUND PIPING AND ELECTRIC CONDUITS ARE INSTALLED AND DURING EXCAVATION, BACKFILLING, AND CONCRETE POURING; A CONTINUOUS HYDROSTATIC TEST SHALL BE PERFORMED ON ALL SUMPS AND SPILL BUCKETS TO ENSURE TIGHTNESS AND PROPER INSTALLATION.
- 2 SUMP TO BE CLEANED OF DEBRIS AND DRIED AFTER TESTING.

KEY NOTES

- 1 SOURCE NORTH AMERICA TO SUPPLY U-BOLTS SECURING PIPING TO CROSS BRACKETS SUPPLIED BY GILBARCO.
- 2 CRITICAL - MUST HAVE 2" RAIN LIP ABOVE INTEGRAL RAIN LIP FRAME.
- 3 SHEAR SECTIONS OF SHEAR VALVES SHALL BE MOUNTED FLUSH WITH TOP OF PAVEMENT.
- 4 HOSE RETRACTOR REQUIRES FIELD MODIFICATION, REF MANUFACTURER'S INSTALLATION INSTRUCTIONS FOR SPECIFIC USE.

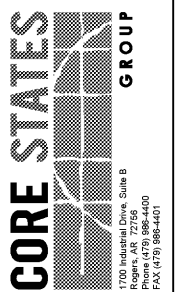
Rev. #	Date	Description

Proto 11-05-18

7-ELEVEN, INC.  
3200 HACKBERRY ROAD, IRVING TEXAS 75063

7-ELEVEN #38777  
US 301 & FORT HAMER ROAD  
PARRISH, FL 34219

DISPENSER AND SUMP DETAILS

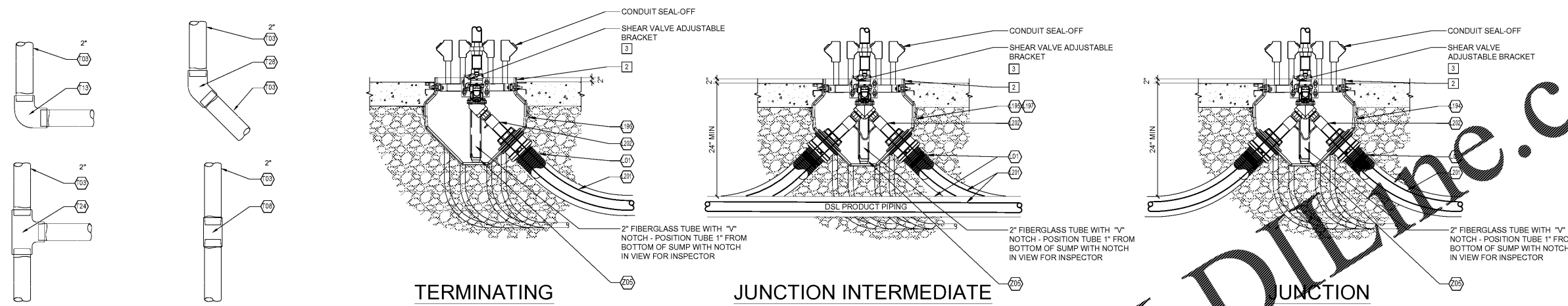


Job#: SEI26848  
Scale: AS NOTED  
Date: 05/06/19  
Drawn By: RMK  
Checked By: KMS

Documents prepared by Core States Group are to be used only for the specific project and not for any other project. Any extension of use to other projects, by owner or any other party, without the written consent of Core States Group is done at the user's own risk. If used in a project not intended by Core States Group, Core States Group will hold Core States Group harmless from all claims and losses.

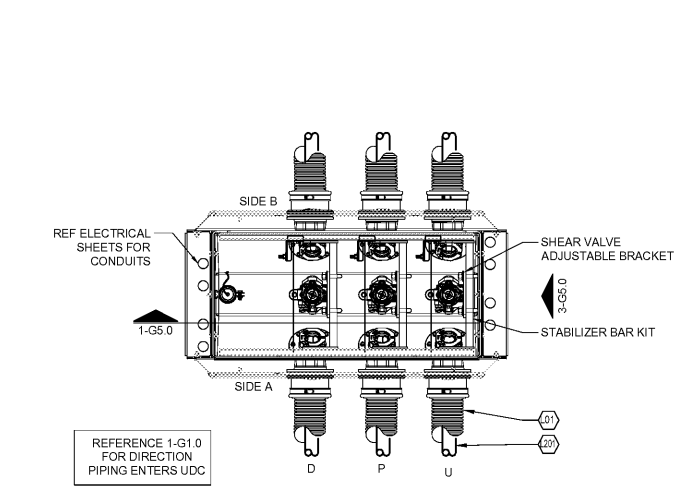


SHEET:  
**G5.0**  
FUELING - USA

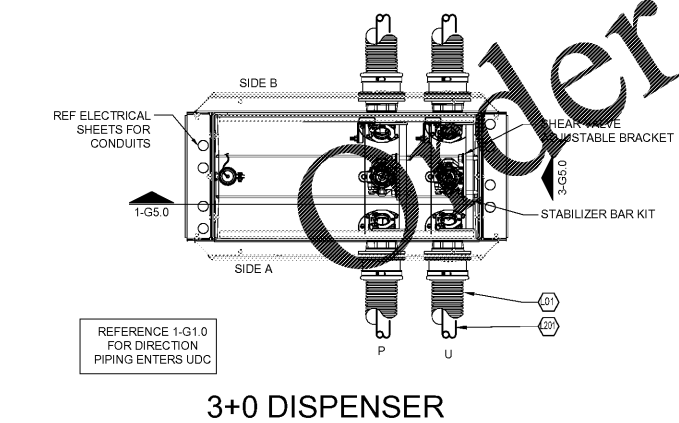


3 DISPENSER SUMP SECTION  
1" = 1'-0"

4 PIPING CONNECTIONS  
1" = 1'-0"

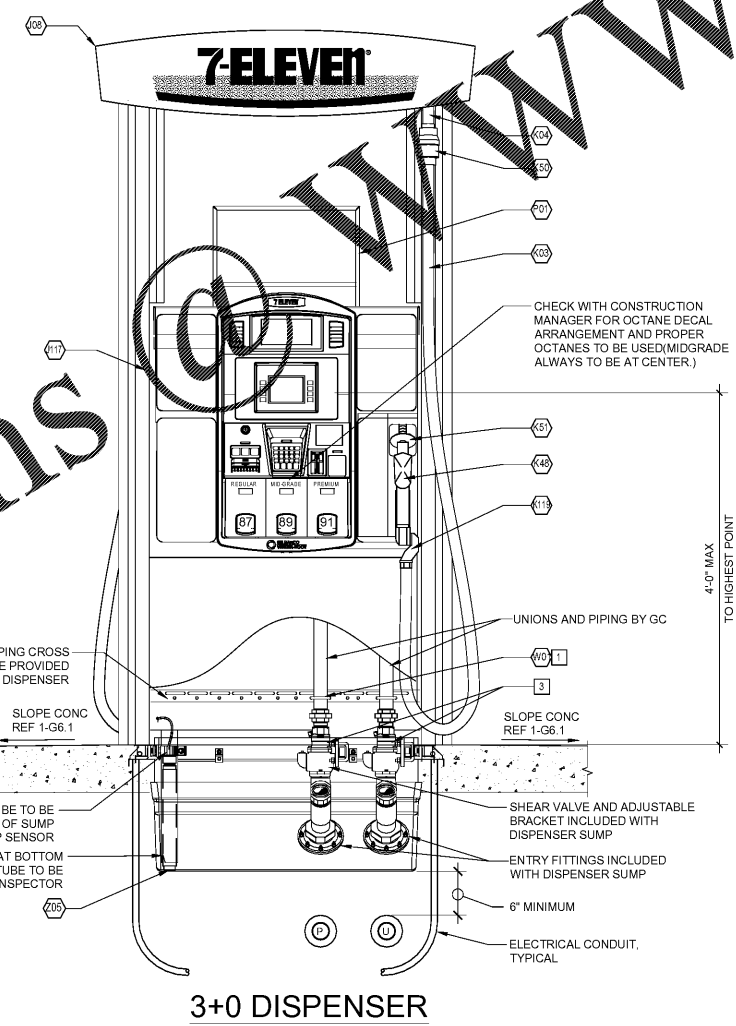


3+1 DISPENSER

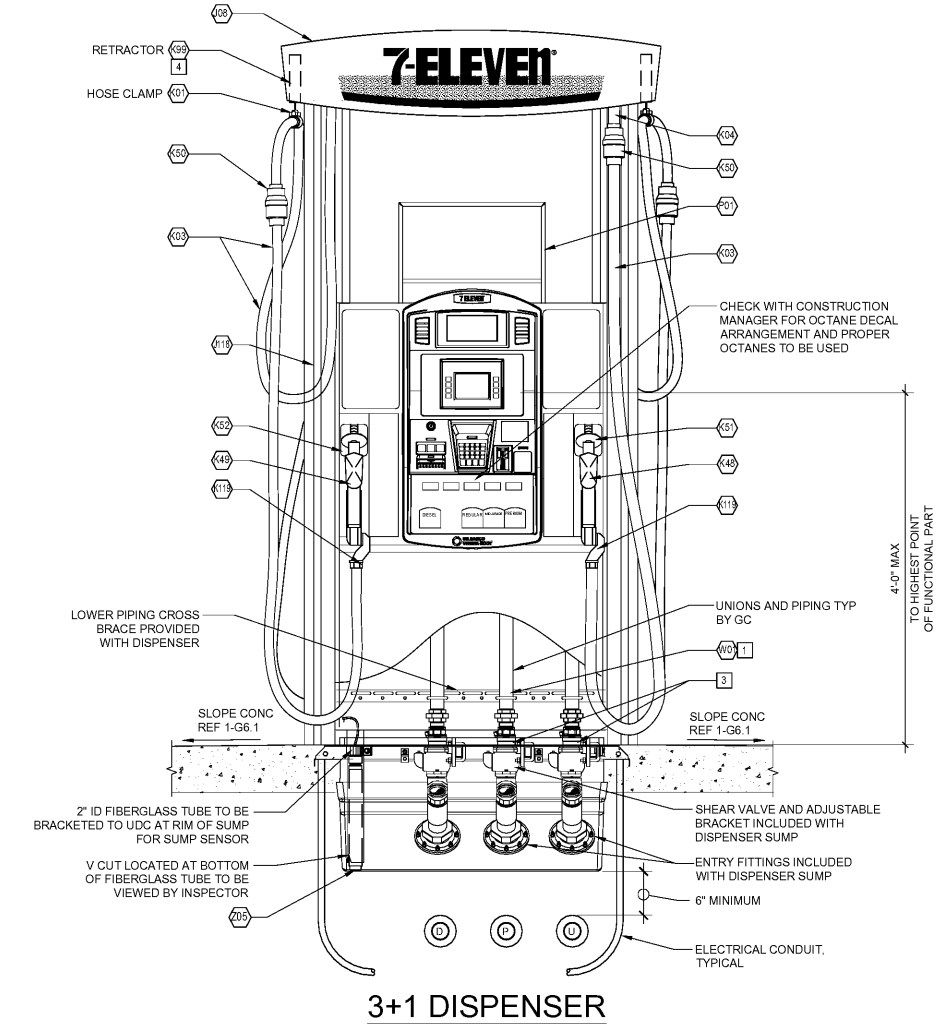


3+0 DISPENSER

2 DISPENSER SUMP - PLAN VIEWS  
1" = 1'-0"



1 GILBARCO ENCORE 700S DISPENSER  
1" = 1'-0"



3+1 DISPENSER

PRINTED BY: RIKENTZ  
DRAWING NAME: 30177 - G5.0 DISPENSER AND SUMP DETAILS  
PRINT DATE: Jun 04, 2019 - 5:41pm

Order Plans

WWW.LDLINE.COM