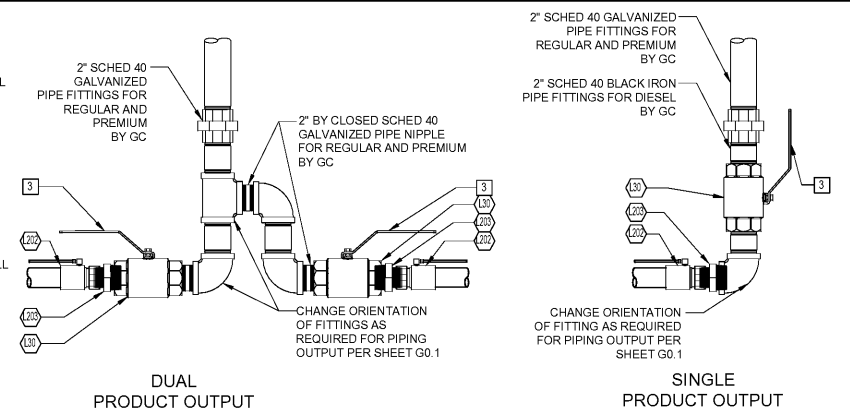
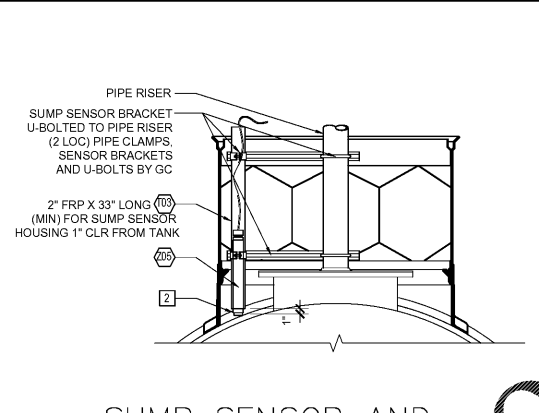


6 TANK SUMP LAYUP DETAILS
NTS



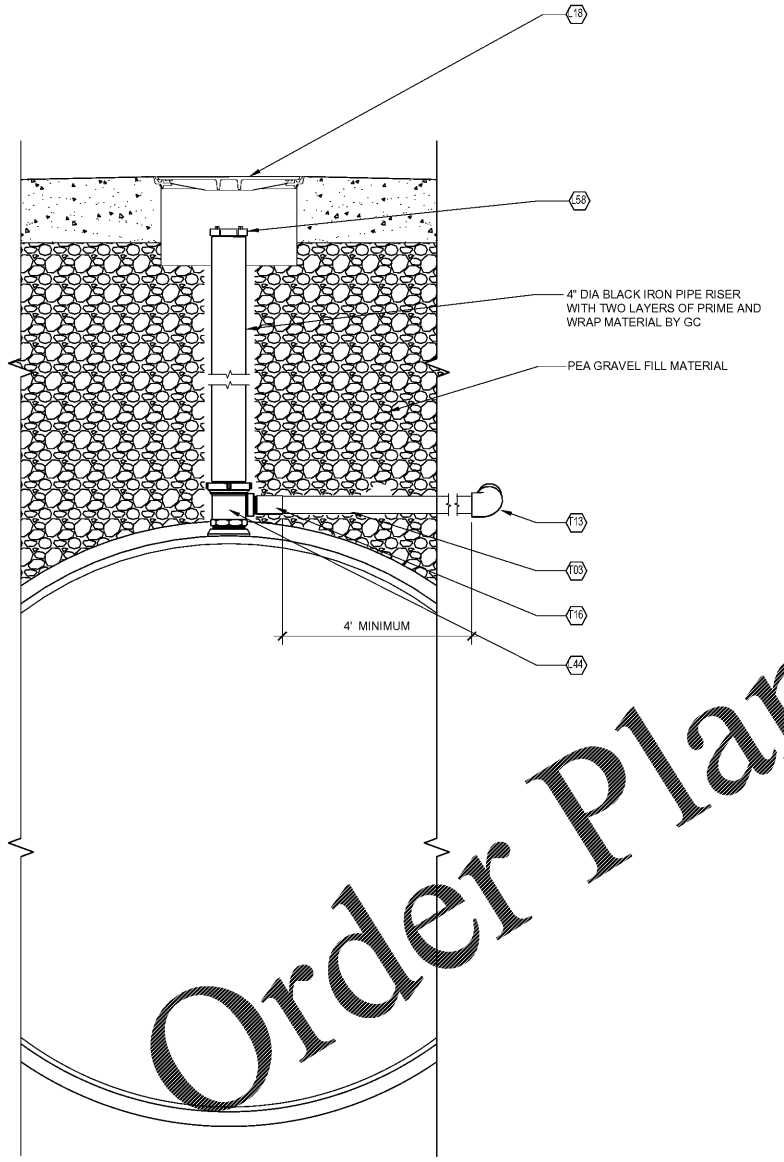
5 FUEL PIPING TREE DETAILS
1 1/2"=1'-0"



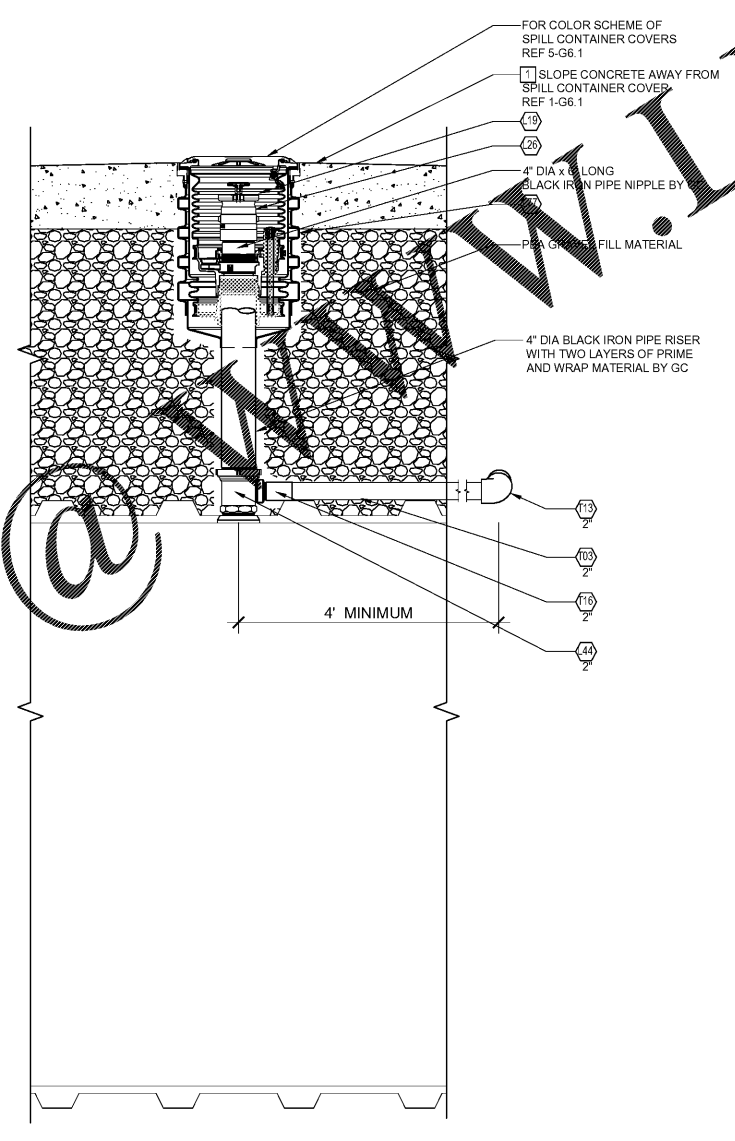
4 SUMP SENSOR AND SENSOR BRACKET DETAIL
3/4"=1'-0"

KEY NOTES

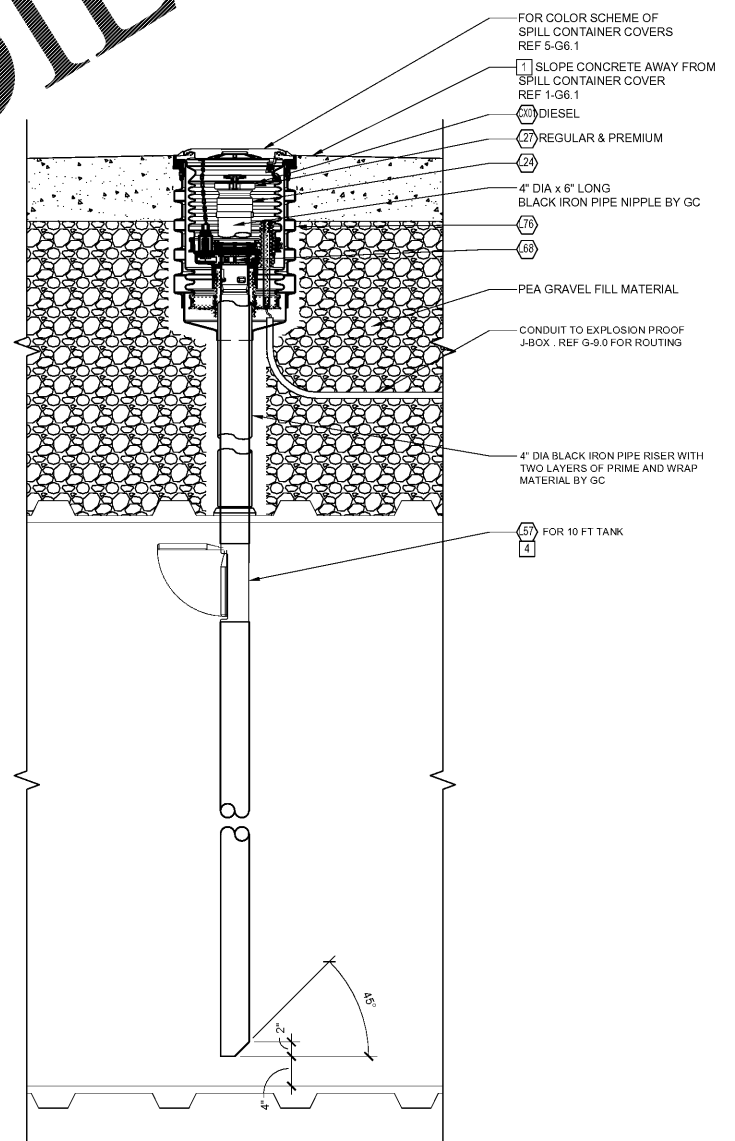
- CONCRETE SLAB, REF G0.1 AND CIVIL DRAWINGS FOR TOS ELEVATIONS. ALL MANHOLES COVERS WITHIN THE TANK SLAB AREA ARE TO BE SET 1" ABOVE THE FINISH GRADE AND SLOPE CONCRETE AWAY FROM MANWAY COVERS AT 2% GRADE. SUMP SENSOR TO REST AT LOWEST POINT OF SUMP ENCLOSURE ON PRODUCT PIPING SIDE OF SUMP. TANK CONTRACTOR TO SUPPLY UNISTRUT BRACKETS, PIPE CLAMPS AND 2" FRP SLEEVE FOR 2-POINT MOUNTING OF THE SLEEVE.
- SUMP SENSOR TO REST AT LOWEST POINT OF SUMP ENCLOSURE ON PRODUCT PIPING SIDE OF SUMP. TANK CONTRACTOR TO SUPPLY UNISTRUT BRACKETS, PIPE CLAMPS AND 2" FRP SLEEVE FOR 2-POINT MOUNTING OF THE SLEEVE.
- POSITION BALL VALVE FOR UNOBSTRUCTED USE OF SHUT-OFF HANDLE.
- OVERFILL PREVENTION VALVE INSTALLED PER MFRS RECOMMENDATIONS. SET OVERFILL DEVICE FOR RESTRICTION TO FLOW AT OR BELOW 90% TANK CAPACITY AND POSITIVE SHUT-OFF AT 95% TANK CAPACITY TO MEET NFPA 30 REQUIREMENTS.



3 DIESEL VENT DETAIL
1"=1'-0"



2 RUL / PUL VENT/VAPOR DETAIL
1"=1'-0"



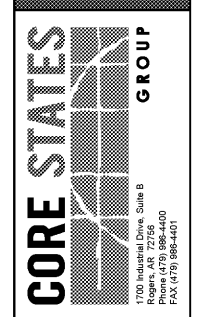
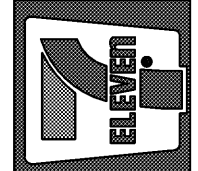
1 FUEL FILL CONTAINER DETAIL
1"=1'-0"

Order Plans @

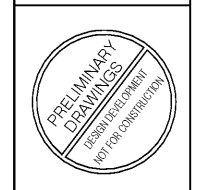
www.LDILine.com

Rev. #	Date	Description

7-ELEVEN, INC.
3200 HACKBERRY ROAD, IRVING TEXAS 75063
7-ELEVEN #38777
US 301 & FORT HAMER ROAD
PARRISH, FL 34219
TANK SUMP DETAILS



Job#: SEI-26848
Scale: AS NOTED
Date: 05/06/19
Drawn By: RMK
Checked By: KMS



SHEET:
G4.1
FUELING - USA FL