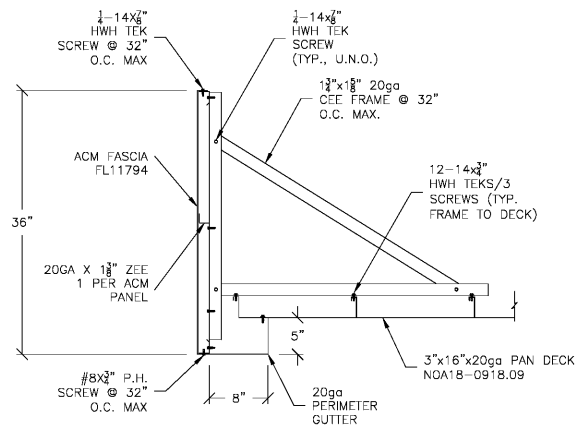
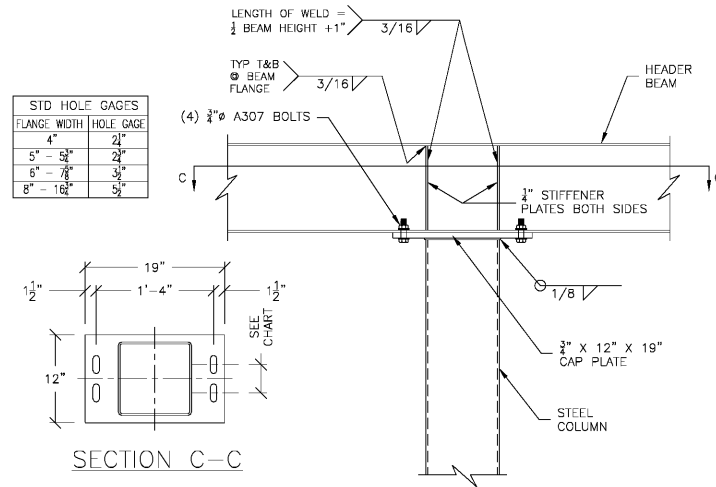


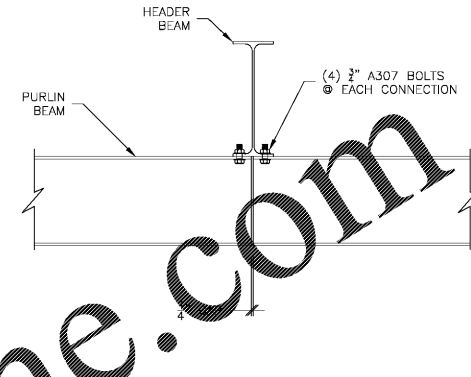
1 SIDE FASCIA DETAIL
SCALE: 1"=1'-0"



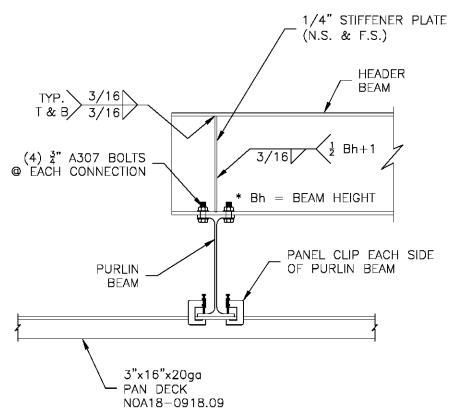
2 END FASCIA DETAIL
SCALE: 1"=1'-0"



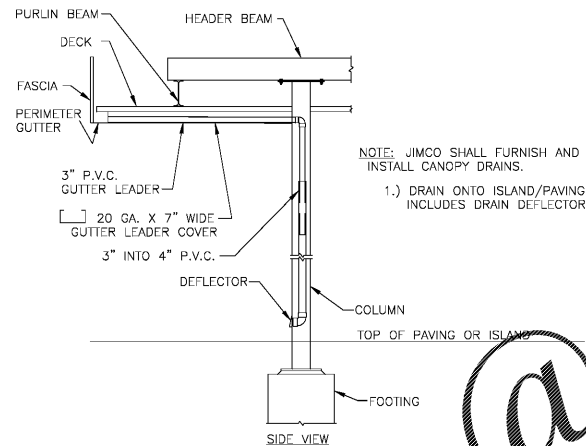
3 COLUMN/BEAM CONNECTION DETAIL
SCALE: 1"=1'-0"



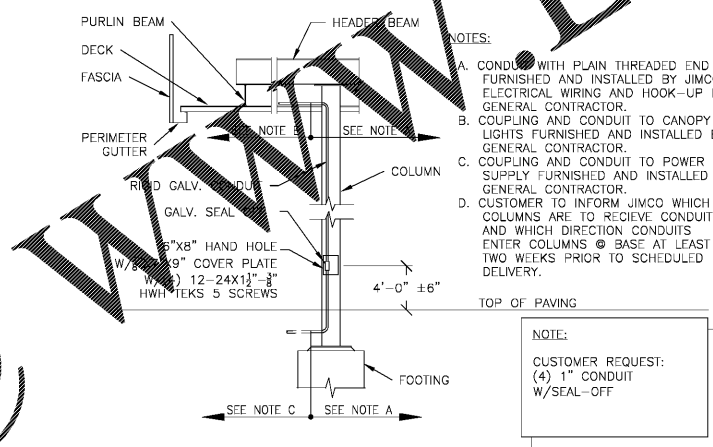
4 BEAM SPLICE DETAIL
SCALE: 1"=1'-0"



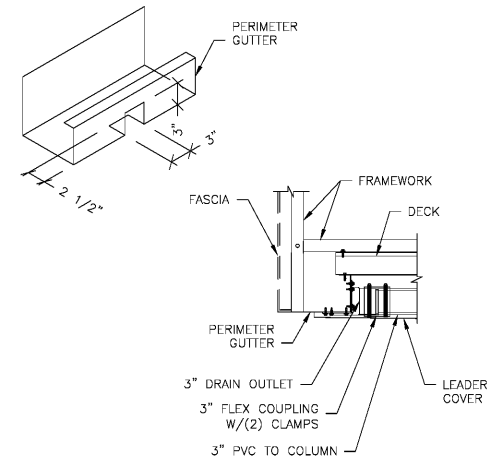
5 BEAM CONNECTION DETAIL
SCALE: 1"=1'-0"



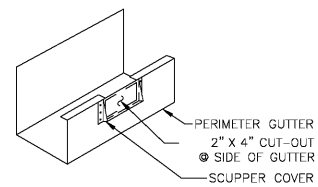
6 COLUMN DRAIN DETAIL
SCALE: 3"=1'-0"



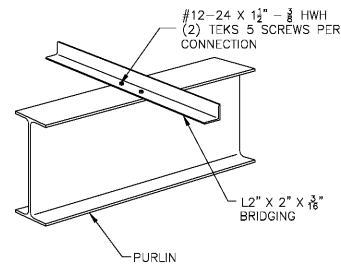
6A INTERNAL CONDUIT DETAIL
SCALE: 3"=1'-0"



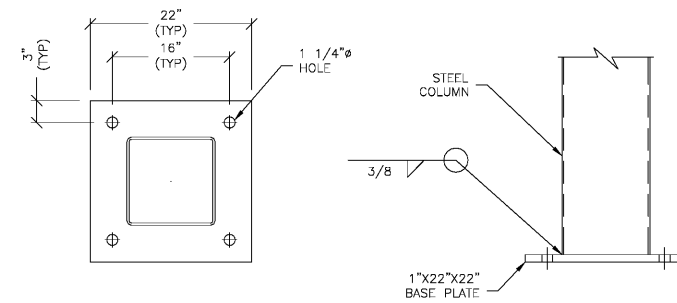
7 LEADER CONNECTION DETAIL
SCALE: 1"=1'-0"



8 OVERFLOW SCUPPER DETAIL
SCALE: 1"=1'-0"



9 PURLIN BRIDGING DETAIL
SCALE: 1"=1'-0"



10 BASE PLATE DETAIL
SCALE: 1"=1'-0"

WWW.LDILine.com

3113 St. Louis Ave. Fort Worth, Texas (817)924-6173

DRAWING DESCRIPTION
CANOPY STRUCTURAL SECTIONS AND DETAILS

JOB LOCATION
7-ELEVEN #58777
US 301 & FORT HAMER RD
PARRISH, FL

5/2/2019
PATRICK T. BRENNAN
LICENSE
No. 85805
Professional Engineer
STATE OF FLORIDA

CUSTOMER	7-ELEVEN, INC - CYPRESS WATERS	
	REVISIONS	DATE:
NO. DESCRIPTION:	BY:	DATE:

R. LAUER
DRAWN BY:
P. BRENNAN
CHECKED BY:
5-1-2019
DATE:

JOB NO.
19-2361R0
DWG. NO.
CS2
OF 2 SHEETS

NOTICE: THIS DOCUMENT IS THE PROPERTY OF JIMCO SALES & MFG. NEITHER THIS DOCUMENT NOR ANY DATA OR INFORMATION HEREIN SHALL BE COPIED OR REPRODUCED IN ANY MANNER, LOANED OR OTHERWISE DISPOSED OF, OR USED FOR ANY PURPOSE WHATSOEVER, WITHOUT THE PRIOR WRITTEN PERMISSION OF JIMCO SALES & MFG. IF THIS DOCUMENT IS LOANED BY OR WITH THE AUTHORITY OF JIMCO SALES & MFG, THE BORROWER, INCONSIDERATION OF SUCH LOAN, AGREES TO THE FOREGOING CONDITIONS AND TO RETURN THIS DOCUMENT ON REQUEST OR UPON COMPLETION OF THE SPECIFICALLY AUTHORIZED WORK FOR WHICH IT WAS USED.