

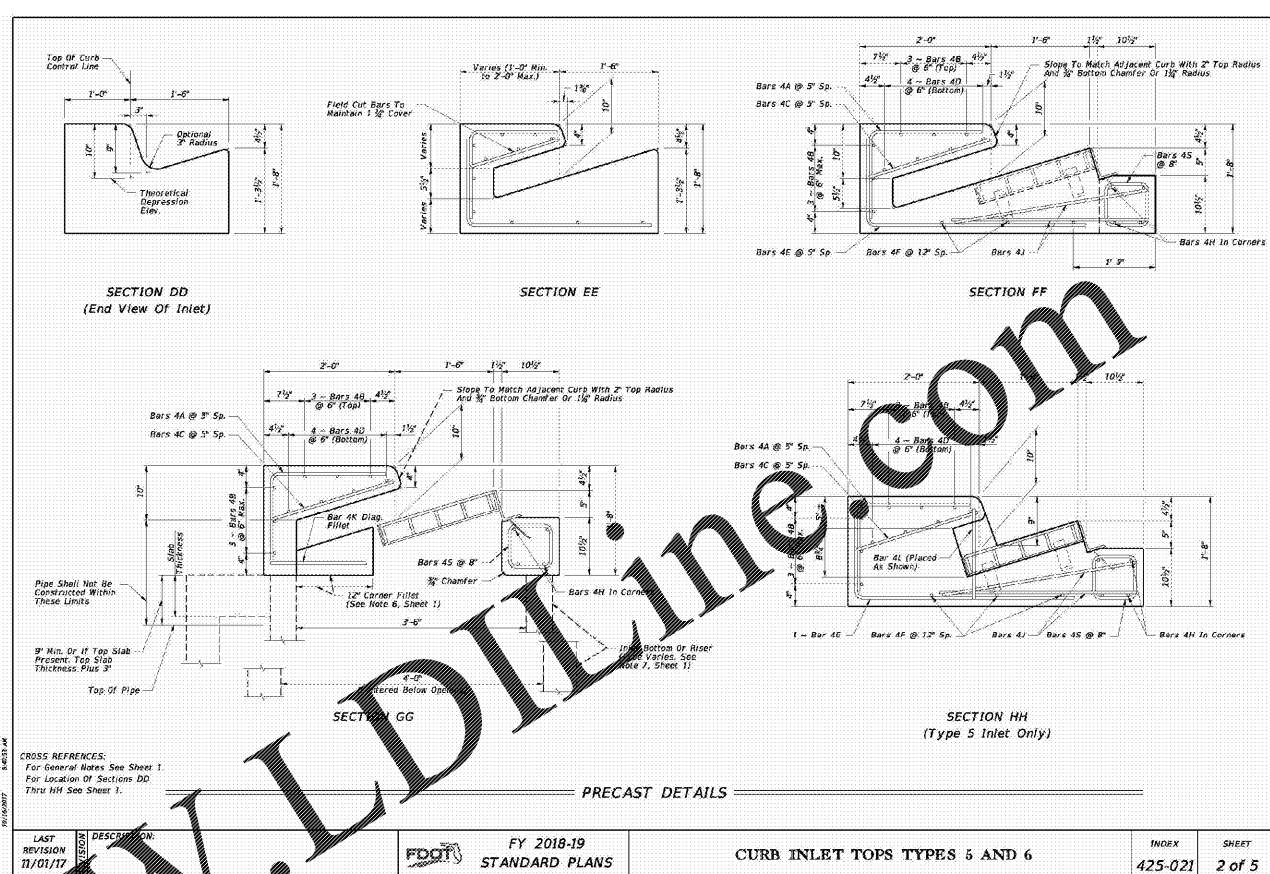
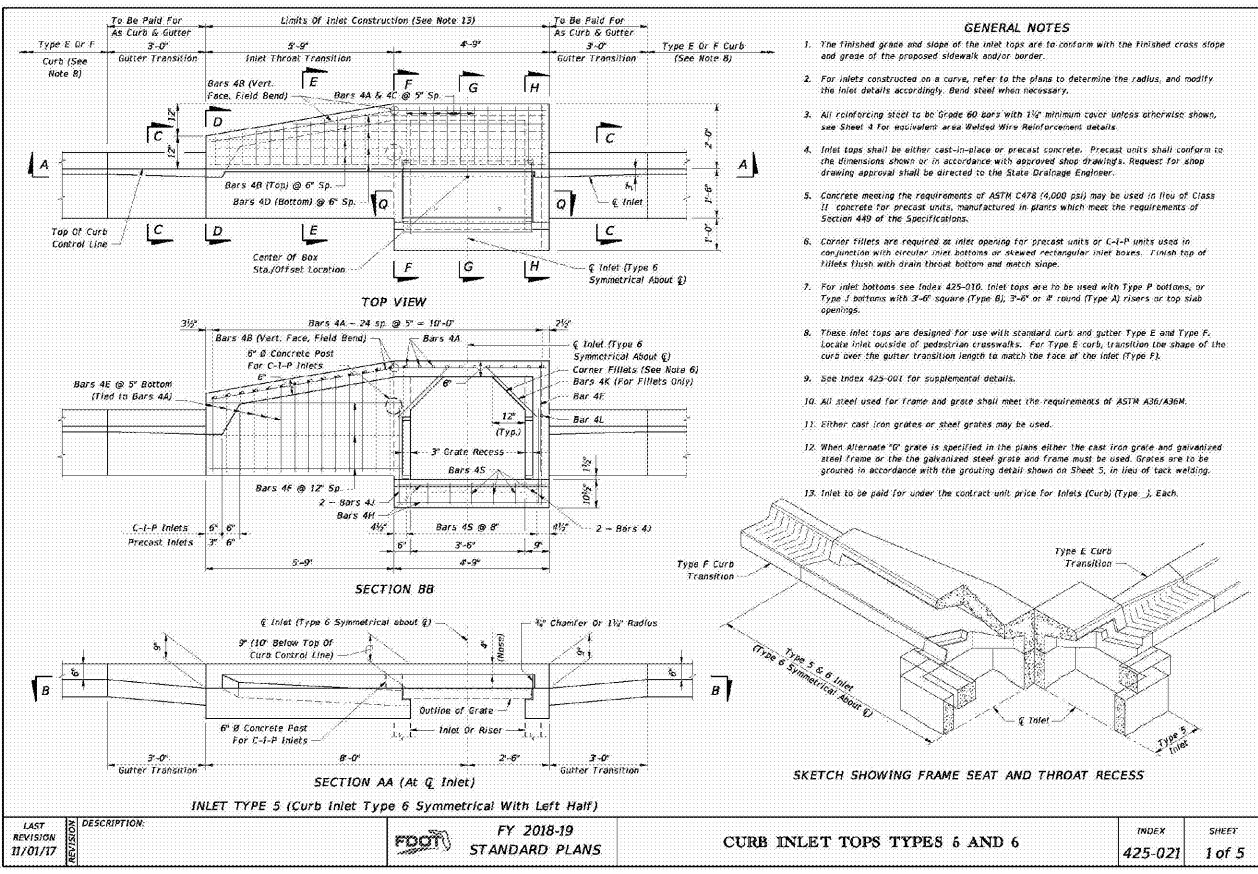
DATE	DESCRIPTION
11/22/2019	ADDED INDEX AND DATE TAGS
11/22/2019	ADDED INDEX AND DATE TAGS
11/22/2019	ADDED INDEX AND DATE TAGS
11/22/2019	ADDED INDEX AND DATE TAGS
11/22/2019	ADDED INDEX AND DATE TAGS
11/22/2019	ADDED INDEX AND DATE TAGS
11/22/2019	ADDED INDEX AND DATE TAGS
11/22/2019	ADDED INDEX AND DATE TAGS
11/22/2019	ADDED INDEX AND DATE TAGS
11/22/2019	ADDED INDEX AND DATE TAGS
11/22/2019	ADDED INDEX AND DATE TAGS
11/22/2019	ADDED INDEX AND DATE TAGS
11/22/2019	ADDED INDEX AND DATE TAGS
11/22/2019	ADDED INDEX AND DATE TAGS
11/22/2019	ADDED INDEX AND DATE TAGS
11/22/2019	ADDED INDEX AND DATE TAGS
11/22/2019	ADDED INDEX AND DATE TAGS

DATE	DESCRIPTION
11/22/2019	ADDED INDEX AND DATE TAGS
11/22/2019	ADDED INDEX AND DATE TAGS
11/22/2019	ADDED INDEX AND DATE TAGS
11/22/2019	ADDED INDEX AND DATE TAGS
11/22/2019	ADDED INDEX AND DATE TAGS
11/22/2019	ADDED INDEX AND DATE TAGS
11/22/2019	ADDED INDEX AND DATE TAGS
11/22/2019	ADDED INDEX AND DATE TAGS
11/22/2019	ADDED INDEX AND DATE TAGS
11/22/2019	ADDED INDEX AND DATE TAGS
11/22/2019	ADDED INDEX AND DATE TAGS
11/22/2019	ADDED INDEX AND DATE TAGS
11/22/2019	ADDED INDEX AND DATE TAGS
11/22/2019	ADDED INDEX AND DATE TAGS
11/22/2019	ADDED INDEX AND DATE TAGS
11/22/2019	ADDED INDEX AND DATE TAGS
11/22/2019	ADDED INDEX AND DATE TAGS
11/22/2019	ADDED INDEX AND DATE TAGS
11/22/2019	ADDED INDEX AND DATE TAGS

DATE	DESCRIPTION
11/22/2019	ADDED INDEX AND DATE TAGS
11/22/2019	ADDED INDEX AND DATE TAGS
11/22/2019	ADDED INDEX AND DATE TAGS
11/22/2019	ADDED INDEX AND DATE TAGS
11/22/2019	ADDED INDEX AND DATE TAGS
11/22/2019	ADDED INDEX AND DATE TAGS
11/22/2019	ADDED INDEX AND DATE TAGS
11/22/2019	ADDED INDEX AND DATE TAGS
11/22/2019	ADDED INDEX AND DATE TAGS
11/22/2019	ADDED INDEX AND DATE TAGS
11/22/2019	ADDED INDEX AND DATE TAGS
11/22/2019	ADDED INDEX AND DATE TAGS
11/22/2019	ADDED INDEX AND DATE TAGS
11/22/2019	ADDED INDEX AND DATE TAGS
11/22/2019	ADDED INDEX AND DATE TAGS
11/22/2019	ADDED INDEX AND DATE TAGS
11/22/2019	ADDED INDEX AND DATE TAGS
11/22/2019	ADDED INDEX AND DATE TAGS
11/22/2019	ADDED INDEX AND DATE TAGS
11/22/2019	ADDED INDEX AND DATE TAGS

7-ELEVEN, PARRISH
 Driveway Connection Permit
 Right Turn Lane
 Paving, Grading & Drainage Details
 SECTION 12.1 LOCATED IN 38. RANGE, 19E
 MANATEE COUNTY, FLORIDA

DATE	DESCRIPTION
11/22/2019	ADDED INDEX AND DATE TAGS
11/22/2019	ADDED INDEX AND DATE TAGS
11/22/2019	ADDED INDEX AND DATE TAGS
11/22/2019	ADDED INDEX AND DATE TAGS
11/22/2019	ADDED INDEX AND DATE TAGS
11/22/2019	ADDED INDEX AND DATE TAGS
11/22/2019	ADDED INDEX AND DATE TAGS
11/22/2019	ADDED INDEX AND DATE TAGS
11/22/2019	ADDED INDEX AND DATE TAGS
11/22/2019	ADDED INDEX AND DATE TAGS
11/22/2019	ADDED INDEX AND DATE TAGS
11/22/2019	ADDED INDEX AND DATE TAGS
11/22/2019	ADDED INDEX AND DATE TAGS
11/22/2019	ADDED INDEX AND DATE TAGS
11/22/2019	ADDED INDEX AND DATE TAGS
11/22/2019	ADDED INDEX AND DATE TAGS
11/22/2019	ADDED INDEX AND DATE TAGS
11/22/2019	ADDED INDEX AND DATE TAGS
11/22/2019	ADDED INDEX AND DATE TAGS
11/22/2019	ADDED INDEX AND DATE TAGS
11/22/2019	ADDED INDEX AND DATE TAGS



INDEX 425-021 CURB INLET TOPS TYPES 5 & 6
 N.T.S.

BID SET
 7-1-2019

