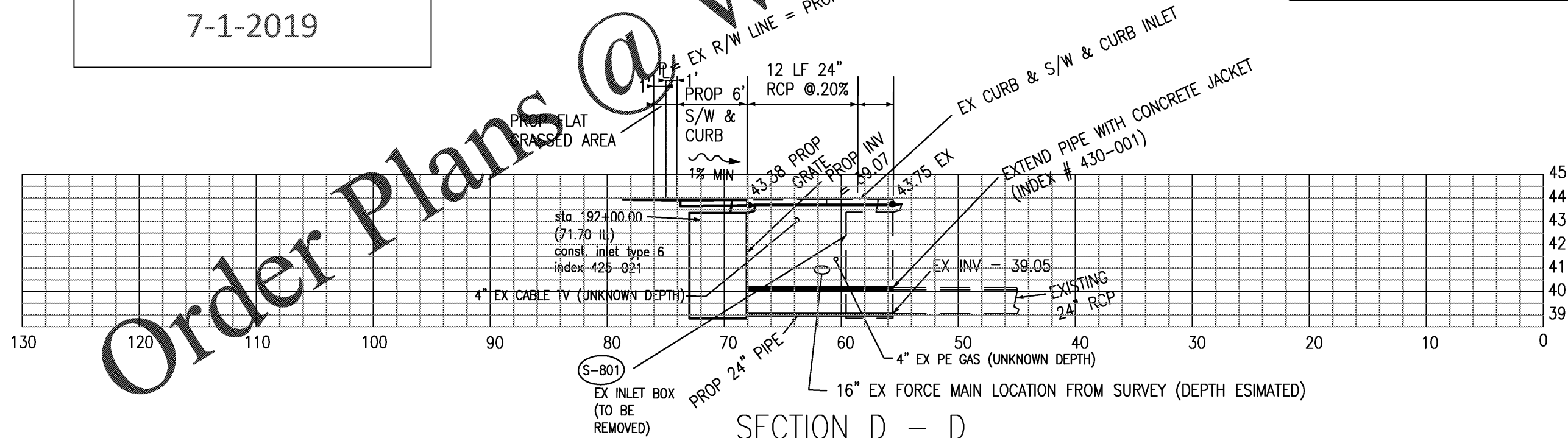


SECTION B - B

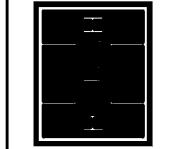
BID SET
7-1-2019

SCALE:
HORIZONTAL 1" = 10'
VERTICAL 1" = 5'



SECTION D - D

HOUGH ENGINEERING, INC.
CONSULTING ENGINEERS
1771 MANATEE AVE. W., BRADENTON FLORIDA 34205
PHONE : (941) 747-4338 · FAX : (941) 747-4072



DATE	DESCRIPTION
07/20/19	ISSUE FOR PERMIT
07/20/19	ISSUE FOR PERMIT
07/20/19	ISSUE FOR PERMIT

DATE	DESCRIPTION
07/20/19	ISSUE FOR PERMIT
07/20/19	ISSUE FOR PERMIT
07/20/19	ISSUE FOR PERMIT

PROJECT NO. SEP-01
7-ELEVEN, PARRISH
Driveway Connection Permit
Right Turn Lane
Cross Sections
SECTION 32, 15, 18, RANGE, 19E
MANATEE COUNTY, FLORIDA

DATE
SHEET NO. 3a