

SEAL:

**THIS DOCUMENT IS NOT  
FOR REGULATORY  
APPROVAL, PERMITTING,  
OR CONSTRUCTION.**

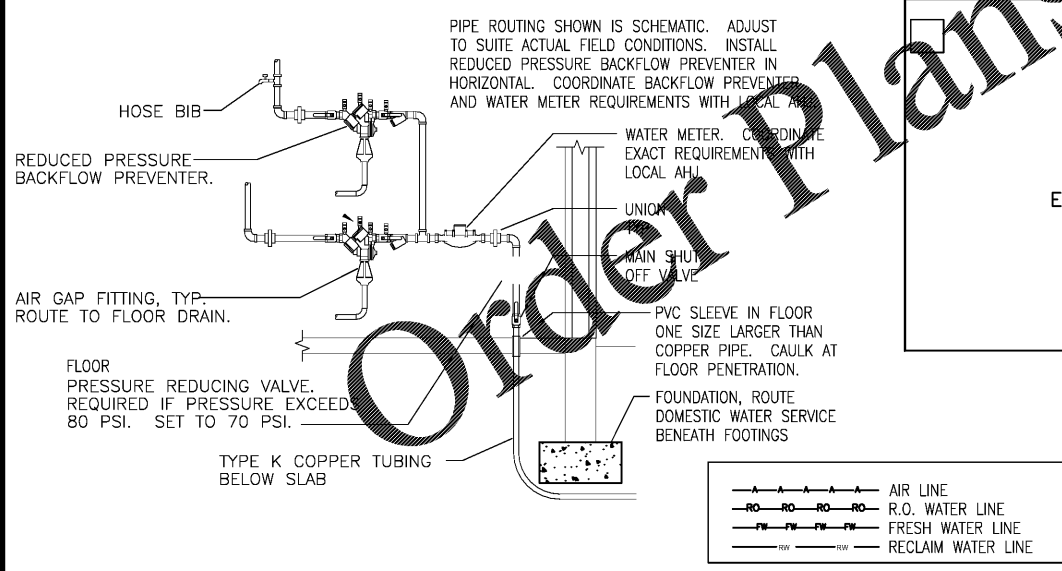
PLUMBING CHART

REFERENCE NUMBER	SIZE	DESCRIPTION	ORIGIN	TERMINUS	THREADING/ VALVE AT ORIGIN	THREADING/ VALVE AT TERMINUS	NOTES	REFERENCE NUMBER	SIZE	DESCRIPTION	ORIGIN	TERMINUS	THREADING/ VALVE AT ORIGIN	THREADING/ VALVE AT TERMINUS	NOTES
3	3/8"	AIR TO OFFBOARD CHEMICAL INJECTION PUMP	COMPRESSED AIR SUPPLY	WALL NEXT TO PUMP BOX	N/A	3/8" FPT SHUT-OFF VALVE	4 SCFM, 80 PSI MIN, 150 PSI MAX	15	1"	RO WATER TO WASH BAY WALL	PURCLEAN R.O. UNIT	EQUIPMENT ROOM WALL	TERMINATE WITH 1" FPT	1" FPT SHUT-OFF VALVE	N/A
4	3/8"	AIR TO WASH BAY WALL	COMPRESSED AIR SUPPLY	RIGHT WASH BAY WALL	N/A	3/8" FPT SHUT-OFF VALVE	5 SCFM, 100 PSI MIN, 125 PSI MAX	16	3/4"	HIGH PRESSURE LINE TO TO WASH BAY WALL	NEAR HIGH PRESSURE PUMP	RIGHT WASH BAY WALL	3/4" FPT SHUT-OFF VLV	3/4" FPT SHUT-OFF VALVE	HIGH PRESSURE LINE REQUIRED
5	1/2"	AIR TO DRYER PNEUMATIC CONTROL BOX	COMPRESSED AIR SUPPLY	RIGHT WASH BAY WALL	1/2" FPT SHUT-OFF VALVE	SHUT-OFF REDUCED HOSE BARB	1 SCFM, 120 PSI MIN, 125 PSI MAX	17	2"	UNDERGROUND SUCTION LINES TO RECLAIM	WALL NEXT TO RECLAIM	UNDERGROUND PITS	TERMINATE WITH 2" FPT	TERMINATE WITH 2" FPT	40 GPM FLOW
6	3/4"	FRESH WATER TO OFFBOARD CHEMICAL INJECTION PUMP	INCOMING FRESH WATER	WALL UNDER INJECTION PUMP	N/A	3/4" FPT SHUT-OFF VALVE	7 GPM @ 40 PSI MIN, 75 PSI MAX	18	1"	UNDERFLOW LINE TO FIRST COMPARTMENT OF TANK 1	INGROUND LINE FROM RECLAIM	UNDERGROUND PITS	TERMINATE WITH 1" FPT	TERMINATE WITH 1" FPT	1" SCHEDULE 80 PVC PIPE TO BE USED
7	3/4"	FRESH WATER TO COLOR WAVE VALVE ASSEMBLY	INCOMING FRESH WATER	WALL UNDER INJECTION PUMP	N/A	3/4" FPT SHUT-OFF VALVE	10 GPM @ 40 PSI MIN, 75 PSI MAX	19	1"	AIR SPARGER OR OZONE RECIRCULATION LINE	INGROUND LINE FROM RECLAIM	UNDERGROUND PITS	TERMINATE WITH 1" FPT	TERMINATE WITH 1" FPT	1" SCHEDULE 80 PVC PIPE TO BE USED
8	3/4"	FRESH WATER TO WASH BAY WALL	INCOMING FRESH WATER	RIGHT WASH BAY WALL	N/A	3/4" FPT SHUT-OFF VALVE		20	1"	UNDERGROUND CHASE FOR WIRING TO FLOAT SWITCHES	INGROUND LINE FROM RECLAIM	FLOAT SWITCHES	N/A	N/A	1" PVC PIPE TO BE USED
9	1"	FRESH WATER TO PURCLEAN RECLAIM SYSTEM	INCOMING FRESH WATER	WALL NEXT TO ULTRACLEAR	N/A	1" FPT SHUT-OFF VALVE	15 GPM @ 40 PSI MIN (4 FT FROM THE FLOOR)	21	1"	RECLAIM WATER TO UNDERCAR MANIFOLD	WALL NEXT TO ULTRACLEAR	VALVE ASSY/ WALL MOUNTED	TERMINATE WITH 1" FPT	TERMINATE WITH 1" FPT	THIS MAY BE HOSE CONNECTED
10	(2) 1"	FRESH WATER TO PURCLEAN R.O. SYSTEM	INCOMING FRESH WATER	WALL NEXT TO RAINMAKER	N/A	3/4" FPT SHUT-OFF VALVE	8 GPM @ 30 PSI MIN (1 LINE FOR R.O. SYSTEM, 1 LINE FOR AUTOMATIC BYPASS)	22	1"	UNDERGROUND PLUMBING LINE	EQUIPMENT ROOM FLOOR	NEAR UNDERCAR	TERMINATE WITH 1" FPT	TERMINATE WITH 1" FPT	N/A
11	1"	RECLAIM WATER TO WASH BAY WALL	RECLAIM WATER	RIGHT WASH BAY WALL	N/A	1" FPT SHUT-OFF VALVE	35 GPM @ 40 PSI MIN, 40 GPM @ 150 PSI MAX	23	1/2"	EYEWASH SUPPLY LINE	INCOMING FRESH WATER	EQUIPMENT ROOM WALL	N/A	TERMINATE WITH 1/2" NPT	N/A
12	3/4"	RECLAIM WATER TO HIGH PRESSURE PUMP	RECLAIM WATER	NEAR HIGH PRESSURE PUMP	N/A	3/4" FPT SHUT-OFF VALVE	18 GPM FLOW RATE @ 0-70 PSI FILTER WATER TO 10 MICRON OR LESS	24	1-1/4"	EYEWASH DRAIN LINE	EQUIPMENT ROOM WALL	EQUIPMENT ROOM FLOOR	N/A	TERMINATE WITH 1-1/4" NPT	N/A

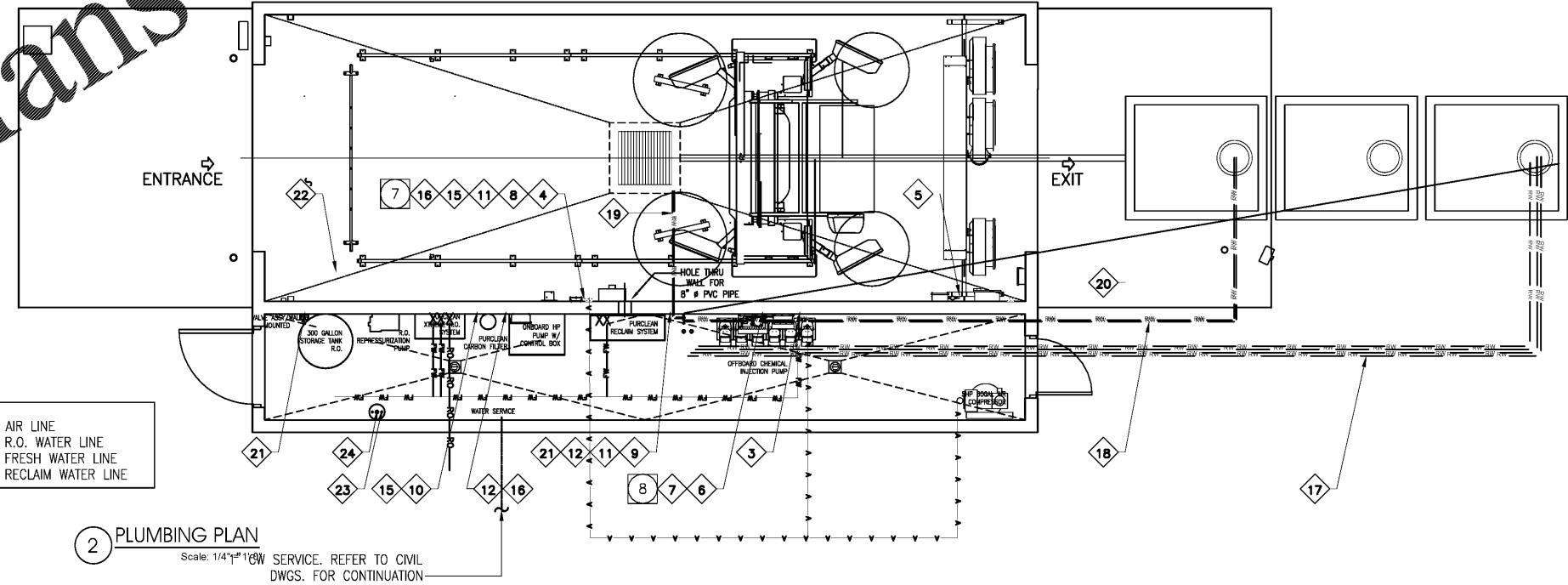
NOTES:

- 7 RECOMMEND 4" PVC SLEEVE THRU WALL FOR HOSES.
- 8 RUN WATER LINE FROM FLOOR LEVEL UP TO BOTTOM OF OFFBOARD CHEMICAL INJECTION PUMP.

www.LDilines.com



1 PLUMBING DETAIL  
Scale: 1/4" = 1'-0"



2 PLUMBING PLAN  
Scale: 1/4" = 1'-0"  
DWG. SERVICE. REFER TO CIVIL DWGS. FOR CONTINUATION

NO. DATE REMARKS  
REVISIONS



BID SET  
JUNE 27, 2019

**7-ELEVEN  
STORE #38777**

12060 US 301 N  
PARRISH, FL  
34219

PROJECT NO: 2018.0891  
DATE: FEBRUARY 26, 2019

**CWP1.1**  
CARWASH PLUMBING PLAN

CHECKED: MM DRAWN: LE

COPYRIGHT © 2019 INTERPLAN LLC. RESERVE RIGHTS RESTRICTING THE DOCUMENT TO THE ORIGINAL USE OR PURPOSE FOR WHICH THEY WERE PREPARED. REPRODUCTIONS, CHANGES OR ASSIGNMENTS ARE PROHIBITED.