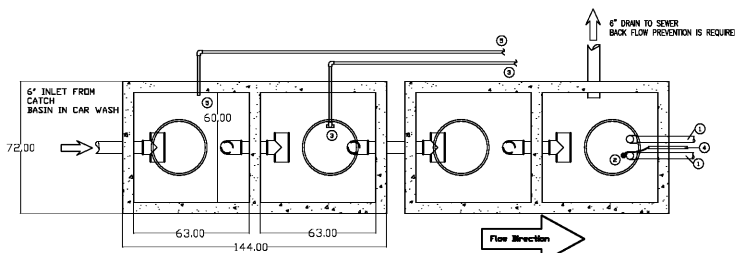


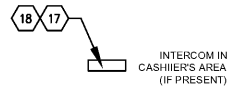
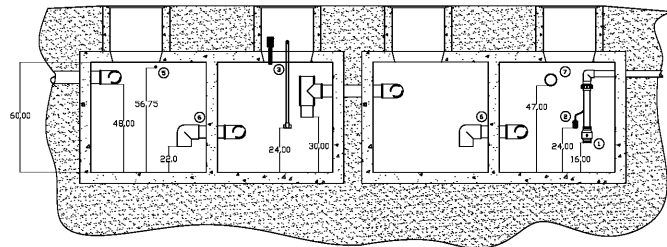
2 TANK CONFIGURATION FOR 5 MICRON PUR-WATER RECOVERY SYSTEMS

THIS IS THE SUGGESTED IDEAL CONFIGURATION FOR A 30 GPM LOW VOLUME 5 MICRON PUR-WATER SYSTEM. PUR-WATER RECOGNIZES THE FACT THAT SEPTIC TANKS ARE A LOCAL BUSINESS AND NOT ALL AREAS WILL HAVE THESE CONFIGURATIONS. THIS DRAWING IS OFFERED AS A GUIDELINE ONLY. IF YOU HAVE ANY QUESTIONS ABOUT A SIZE OR CONFIGURATION OF TANKS IN YOUR AREA, PLEASE CONTACT PUR-WATER AT 800-882-8854

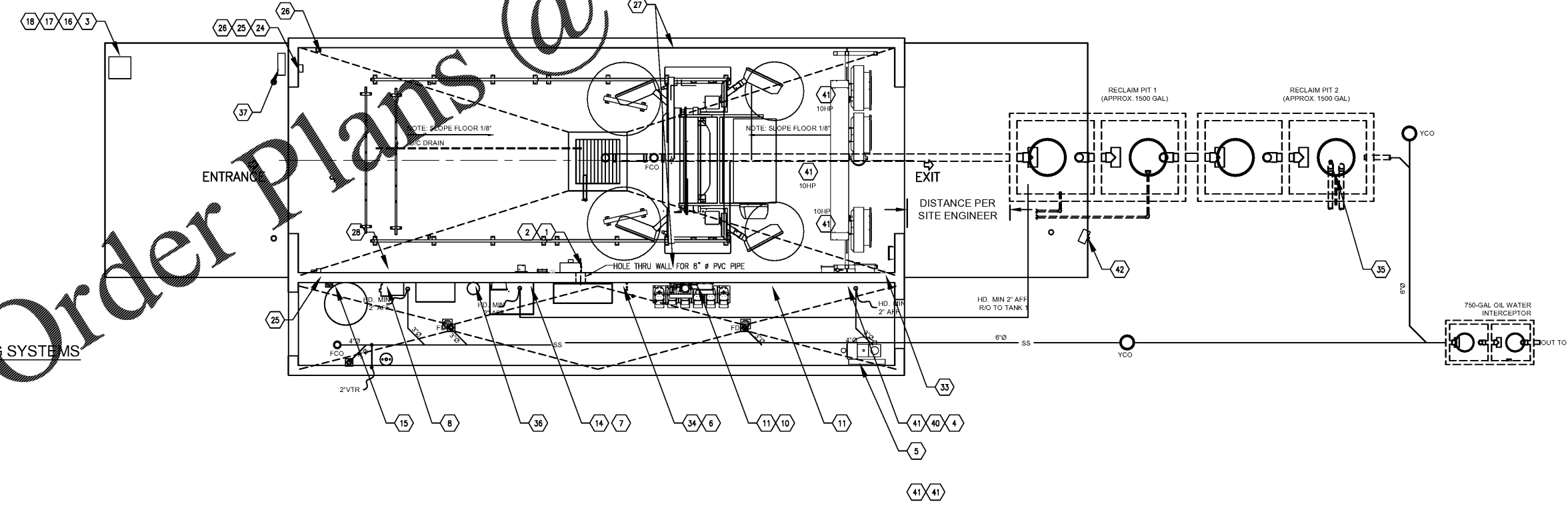


- TO PURWATER RECOVERY SYSTEM (2) 2" SCH 80 PVC SUCTION LINES, ONE TO SERVE AS A SPARE. LINES ARE STRAPPED TO THE TANK WALL. INSTALL SCH 80 UNIONS ABOVE THE WATERLINE TO ALLOW SERVICING OF EACH SUCTION LINE. TERMINATE SUCTION LINES W/ FULL FLOW FLAPPER CHECK VALVES (PURWATER SUPPLIED). NO SPRING LOADED FOOT VALVES.
- PURWATER PROVIDED (1) LOW-WATER SAFETY LEVEL FLOAT SHOULD BE MOUNTED SO THAT IT WILL BE IN THE DOWN POSITION 8" ABOVE THE BOTTOM OF THE FLAPPER CHECK. THIS FLOAT CONTROLS THE SAFETY FUNCTION TO PROTECT THE PUMP FROM A LOW WATER SITUATION.
- (1) 1" SCH 80 AIR SPARGER OR OZONE RECIRCULATION LINE. FOR AIR SPARGER SYSTEMS, ALLOW THE SPARGER TO BE 6-12" ABOVE THE WATER LINE. MOUNT IN THE MANWAY, IF POSSIBLE, TO ALLOW ACCESS FOR MAINTENANCE. FOR OZONE SYSTEMS, PLUMB THE LINE WITH A TEE, ON THE WET END, 24" UP FROM THE BOTTOM OF THE TANK.
- (1) 1" SCH 80 PVC LINE TO SERVE AS A CONDUIT FOR (4) 14 GAUGE WIRES (TWO ARE SPARES) TERMINATED IN A WATER TIGHT JUNCTION BOX ABOVE THEIR WATER LINE TO PURWATER RECLAIM SYSTEM FOR FLOAT CONTROLS.
- (1) 1" SCH 80 UNDERFLOW LINE FROM THE BOTTOM OF THE RECLAIM SYSTEM CYCLONE SEPARATOR. THIS LINE SHOULD BE LEVEL, OR PREFERABLY, SLOPE FROM THE RECLAIM SYSTEM TO THE CAR WASH CATCH BASIN OR THE FIRST COMPARTMENT OF TANK 1.
- USE 6" PIPE AS INTERCONNECT PIPING BETWEEN COMPARTMENTS AND BETWEEN TANKS. ELEVATION DIMENSIONS ARE TO PIPE INVERTS.
- (1) 6" SCH 80 PVC PIPE TO BE ROUTED TO SEWER OR OIL WATER SEPARATOR. NOTE: BACK FLOW PREVENTION FROM THE SEWER IS REQUIRED. CONSULT WITH LOCAL AUTHORITIES ON WHETHER FURTHER TREATMENT (I.E. OIL/WATER SEPARATION IS REQUIRED TO MEET DISCHARGE PERMIT).

NOTES:
DRAWING IS FOR REFERENCE ONLY AND IS TO BE USED FOR PLUMBING REFERENCE. CONSULT WITH TANK MANUFACTURER FOR TANK LOADS. CONSULT WITH CIVIL ENGINEER FOR SOIL PREPARATION AND TANK PLACEMENT. SEAL ALL TANK PENETRATIONS TO PROVIDE WATER TIGHT SEAL TO PREVENT TANK LEAKAGE INTO SOIL. LINE TO SEWER TO HAVE BACK FLOW PREVENTION. CONSULT WITH LOCAL AUTHORITIES ON WHETHER FURTHER TREATMENT (I.E. OIL/WATER SEPARATION IS REQUIRED TO MEET DISCHARGE PERMIT). APPROX. TANK VOLUME IS 1500 GALLONS PER TANK, EACH TANK IS DIVIDED BY INTERNAL BAFFLE. TOTAL WATER STORAGE IS APPROX. 3000 GALLONS.



1 HEATING SYSTEMS
SCALE: 1/4"=1'-0"



PLUMBING SYMBOLS

SS	SANITARY SEWER	UNION	FLOOR SINK
GW	GREASE WASTE	ELBOW - TURNED DOWN	FLOOR CLEANOUT
	DOMESTIC COLD WATER	ELBOW - TURNED UP	YCO YARD CLEANOUT
	DOMESTIC HOT WATER	TEE - TURNED DOWN	FFPMH FREEZE PROOF WALL HYDRANT
RM	RECLAIM WATER LINE	TEE - TURNED UP	HB HOSE BIBB
RO	R.O. WATER LINE	BALL VALVE	HWCO WALL CLEANOUT
AIR	AIR LINE	SHUT-OFF VALVE IN VERTICAL LINE	GR GAS PRESSURE REGULATOR
G	NATURAL GAS	BACKFLOW PREVENTER	GC GAS COCK
	PLUMBING VENT	FD FLOOR DRAIN	WM WATER METER

SPECIALTY PLUMBING FIXTURE SCHEDULE

TAG	FIXTURE	MANUFACTURER	MODEL	DESCRIPTION	NOTES
WHA	WATER HAMMER ARRESTER	SIOUX CHIEF	652A	CONFORM TO PDH WH-201, ASSE 1010; TEMP TO 250F, MAX 350 PSIG WORKING PRESSURE	1
---	TRAP PRIMER	SIOUX CHIEF	695	BRONZE PRIMER VALVE WITH REMOVABLE OPERATING PARTS INTEGRAL VACUUM BREAKER, AND GASKETED ACCESS COVER.	
---	REDUCED PRESSURE BACKFLOW PREVENTER	WILKINS	975XL	BRONZE BODY, WITH SHUT-OFF VALVES, Y STRAINER, AND TEST COCKS.	
FD	FLOOR DRAIN	JOSAM	3000-SA-50	CAST IRON FLOOR DRAIN, TWO-Piece BODY WITH DOUBLE DRAINAGE FLANGE, WEALOC INVERTIBLE NON-PUNCTURING FLASHING COLLAR, WEEPHOLES, BOTTOM OUTLET AND ADJUSTABLE SATIN NIKALOY ROUND SUPER-FLO STRAINER. (OBSERVE TWO PIPE SIZE CHANGES OF DRAINS WHERE FLOOR DRAIN NOT DIRECTLY VENTED) INCLUDE #8230-90 PRIMER VALVE (OR EQUIVALENT) TO TIE TO COLDWATER LINE BELOW SINK.	2
HD	HUB DRAIN	---	---	SIZE SPECIFIED ON DRAWINGS	
FS	FLOOR SINK	JOSAM	48323A-LF-3	CAST IRON 12" X 12" FLOOR SINK WITH 3" DRAIN CONNECTION, CAST IRON 1/2 GRATE AND ALUMINUM INTERNAL DOME STAINER.	
FCO	FLOOR CLEANOUT	JOSAM	55000-1 & 55000-2	ADJUSTABLE CAST IRON FLOOR CLEAN-OUT WITH INSIDE CAULK OUTLET, COATED CAST IRON INTERNAL CLEAN-OUT LEAD, SEAL, SATIN TOP, BRASS RIM, AND BRASS SCREWS. OVERPLATE FOR LIGHT TRAFFIC, SECURED TO FLOOR BY CENTER SCREW FOR INSTALLATION FLUSH WITH FLOOR.	

NOTES:
1. SIZE PER MANUFACTURER'S RECOMMENDATION.
2. CLEANOUT SHALL BE SAME SIZE AS PIPE BEING SERVED.
3. THIS SCHEDULE IS COMPREHENSIVE. ALL MARKS MAY OR MAY NOT BE USED ON PLANS.

CWPL PLUMBING CHART

REFERENCE NUMBER	PIPE SIZE	DESCRIPTION	LOCATION	TERMINUS	NOTES
18	2"	UNDERGROUND SUCTI LINES TO RECLAIM UNIT	WALL NEXT TO PURE-WATER	UNDERGROUND PITS	40 GPM FLOW
19	2"	ODON / AIRATION LINE FROM TANK 2	WALL NEXT TO PURE-WATER	UNDERGROUND PITS	N/A
20	2"	UNDERGROUND LINE FROM SAND TRAP / COLLECTION PIT	WALL NEXT TO PURE-WATER	UNDERGROUND PITS	N/A
17	1"	UNDERGROUND PLUMBING LINE	EQUIPMENT ROOM FLOOR	NEAR UNDERCAR	N/A

- GENERAL NOTES**
- CONTRACTOR SHALL VERIFY THAT ALL PIPING TYPES AND SIZES MEET LOCAL CODE.
 - WHEN DEEP FROST LOCATIONS ARE ENCOUNTERED, ROUTE SANITARY LINES UNDER BUILDING AS MUCH AS POSSIBLE.
 - PROVIDE PVC SLEEVES FOR ALL COLD/HOT WATER FLOOR PIPE PENETRATIONS. WAVE SLEEVES LARGE ENOUGH FOR INSULATION. SEAL WITH GRAY MASTIC AND ENSURE OF NO WATER PENETRATIONS.
 - FURNISH AND INSTALL WANTS BA VACUUM BREAKER ON ANY THREADED EXTERIOR OR INTERIOR FAUCETS.
 - ALL WATER SHUT OFF VALVES SHALL BE "BALL LOCK" TYPE. PROVIDE SHUT-OFF VALVES AT EACH TERMINATION POINT OF ASSOCIATED EQUIPMENT.
 - VERIFY GRADE OF INCOMING SANITARY SEWER BEFORE INSTALLATION OF SYSTEM.
 - PROVIDE TRAP PRIMERS AND 1/2" COPPER TUBING CONNECTION TO ALL FLOOR DRAINS.
 - PITCH WASTE LINES AT 1/4" PER FOOT MINIMUM.
 - INSTALL WATER PIPING ON INSIDE OF EXTERIOR WALL INSULATION TO PREVENT FREEZING.

INTERPLAN
ARCHITECTURE
ENGINEERING
INTERIOR DESIGN
PROJECT MANAGEMENT
AA 003420
CA 8660
604 COURTLAND STREET
SUITE 100
ORLANDO, FLORIDA 32804
PH 407.645.5008
FX 407.629.9124

SEAL:
THIS DOCUMENT IS NOT FOR REGULATORY APPROVAL, PERMITTING, OR CONSTRUCTION.

NO DATE REMARKS
REVISIONS

BID SET
JUNE 27, 2019

**7-ELEVEN
STORE #38777**

12060 US 301 N
PARRISH, FL
34219

PROJECT NO: 2018.0891
DATE: FEBRUARY 26, 2019

CWP1.0
CARWASH RECOVERY AND
PLUMBING SCHEDULE
CHECKED: MM DRAWN: LE