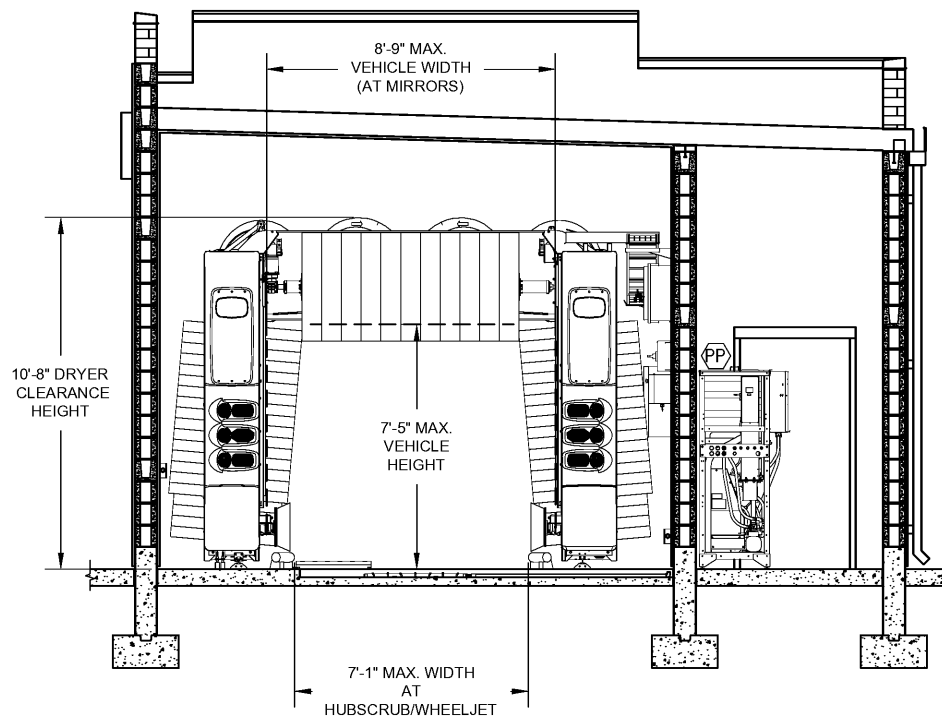
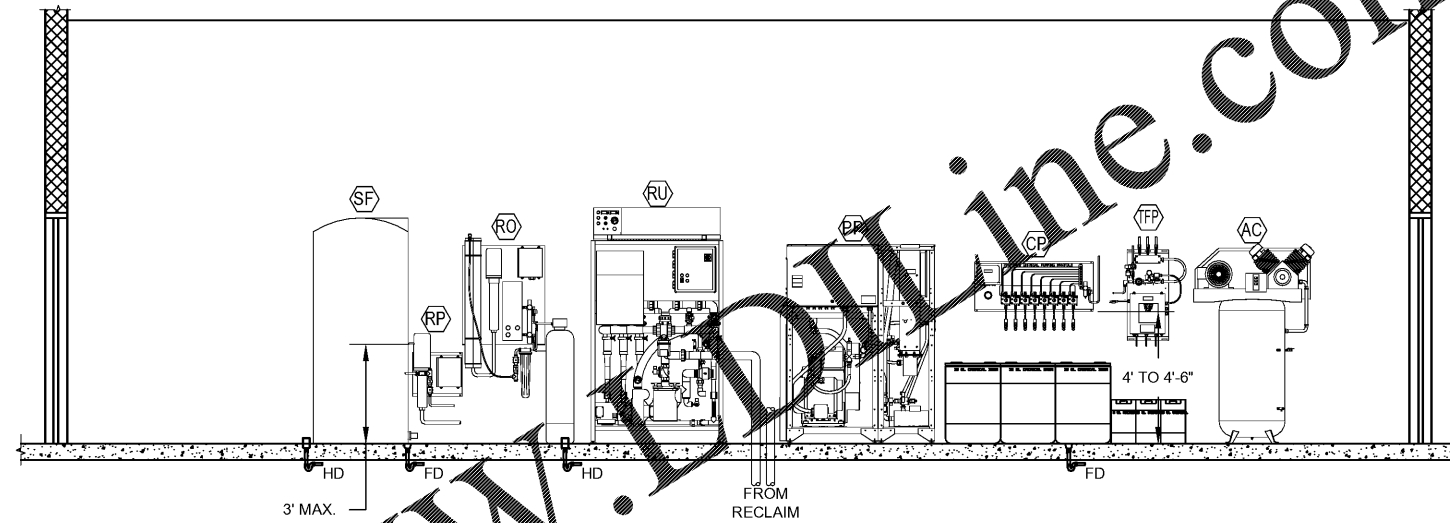


SEAL:

THIS DOCUMENT IS NOT
FOR REGULATORY
APPROVAL, PERMITTING,
OR CONSTRUCTION.

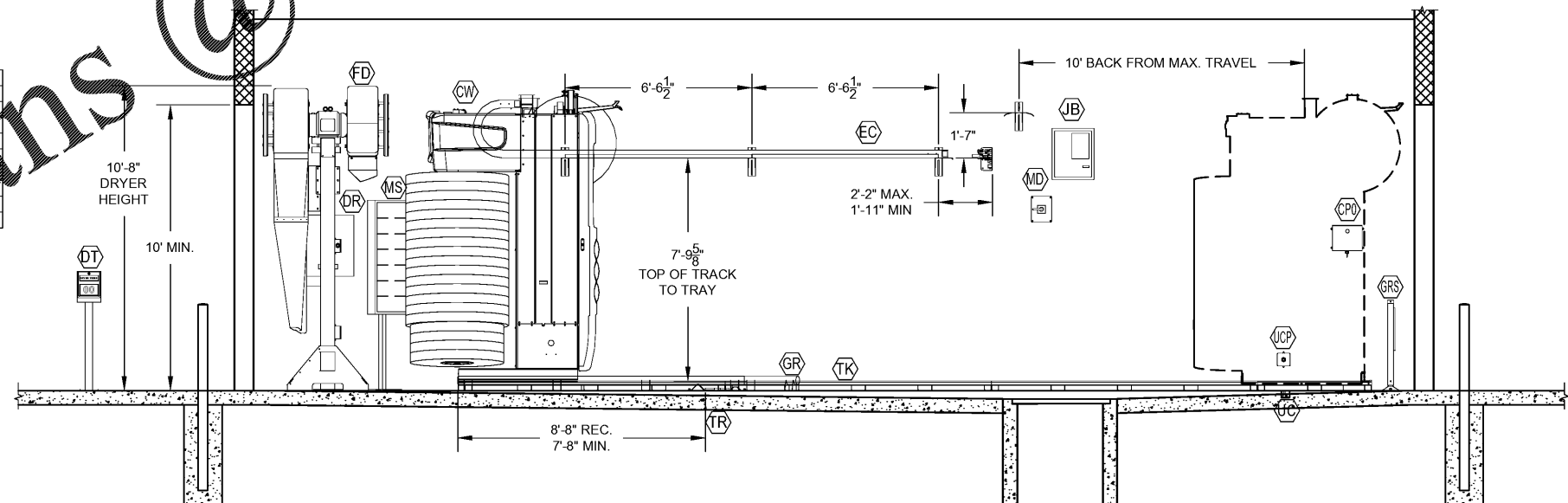


SECTION C-WASH BAY ENTRANCE



SECTION B-EQUIPMENT ROOM

EQUIPMENT LEGEND	
AC	AIR COMPRESSOR
CP	CHEMICAL PUMPING PANEL
CP0	CPO CONTROLLER
CW	CHOICEWASH XT GANTRY
DR	DRYER CONTROL BOX
DT	DRYER TIMER
EC	ENERGY CHAIN FEED SYSTEM
FD	FS-40D FREESTANDING DRYER
GR	GUIDE RAILS
GRS	GUIDE RAIL WARNING SIGNS
JB	IN-BAY JUNCTION BOX
MD	MAIN DISCONNECT
MS	MERCHANDISING SIGN
PP	CHOICEWASH XT PUMPING PLANT
RO	R/O UNIT
RP	REPRESSURE-PUMP-FINAL RINSE
RU	RECLAIM UNIT
SF	SPOT FREE STORAGE TANK
TFP	TRI-FOAM PUMPING PLANT
TK	GANTRY TRACK
TR	TREADLE SWITCH OR PAL
UC	UNDERCARRIAGE WASH MANIFOLD
UCP	U/C PHOTO EYE SENSORS



SECTION A-DRIVER SIDE ELEVATION

Order Plans @ www.donline.com

NO. DATE REMARKS
REVISIONS



BID SET
JUNE 27, 2019

7-ELEVEN
STORE #38777

12060 US 301 N
PARRISH, FL
34219

PROJECT NO: 2018.0891
DATE: FEBRUARY 26, 2019

CWA5
CAR WASH BAY AND
EQUIPMENT ELEVATIONS

CHECKED: RW DRAWN: JUM

COPYRIGHT © 2019 INTERPLAN LLC. RESERVE COPYRIGHT & OTHER RIGHTS RESTRICTING THE REPRODUCTION OF THIS DOCUMENT TO THE ORIGINAL USER OR USER FOR WHICH THEY WERE PREPARED. REPRODUCTIONS, CHANGES OR ASSIGNMENTS ARE PROHIBITED.