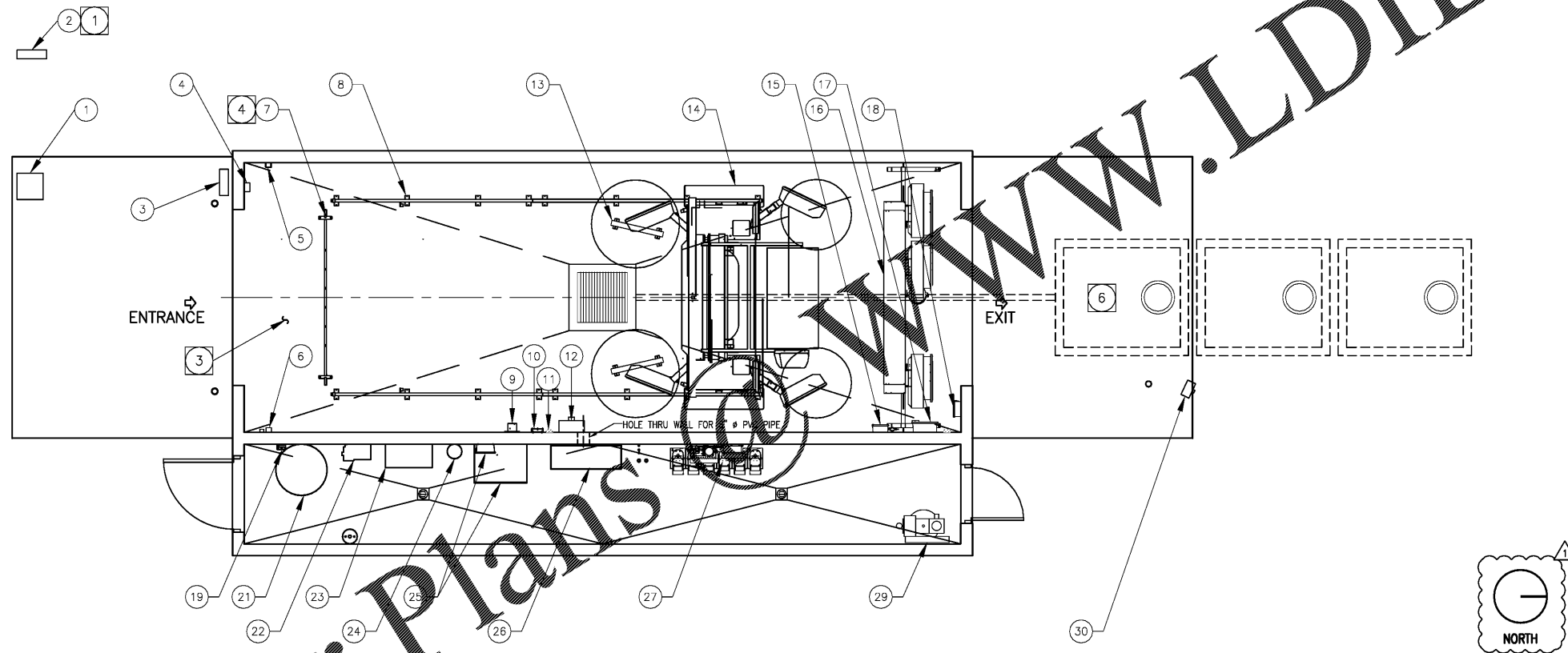


SEAL:

THIS DOCUMENT IS NOT  
FOR REGULATORY  
APPROVAL, PERMITTING,  
OR CONSTRUCTION.

NOTES:

- 1 WINCON CONTROLLER LOCATED NEAR POS IN KIOSK.
- 2 REQUIRED ETHERNET FIREWALL CAN BE PLACED AT ANY CONVENIENT LOCATION.
- 3 RECOMMENDED SLOPE OF FLOOR IN BAY IS 1/8" PER FOOT. EXCESSIVE SLOPE MAY AFFECT OPERATION OF THE MACHINE.
- 4 TRENCH IN BAY FLOOR REQUIRED FOR UNDERCAR 1-1/2"WIDE x 2"DEEP x 10'-2" LENGTH (BY OTHERS).
- 5 WASH BAY SHOWN, 40'-8" LENGTH x 15'-4" WIDE. EQUIPMENT ROOM, 40'-8" LENGTH x 5'-8" WIDE.
- 6 ACTUAL LOCATION OF RECLAIM TANKS MAY VARY, RECOMMENDED LOCATION SHOWN.



EQUIPMENT LEGEND: PROVIDED BY RYKO UNDERCAR NOTE

REFERENCE NUMBER	DESCRIPTION	REFERENCE NUMBER	DESCRIPTION	REFERENCE NUMBER	DESCRIPTION
1	UNITEC C-START COIN BOX	11	VALVE ASSY WALL MOUNTED, R.O.	21	300 GALLON STORAGE TANK R.O.
2	WINCON CONTROLLER	12	WASH BAY TERMINAL BOX W/BUZZER	22	R.O. REPRESSURIZATION PUMP
3	3 MESSAGE ENTRANCE SIGN	13	LOW PROFILE GUIDE RAILS (2 PLCS)	23	PURCLEAN XTREME R.O. SYSTEM
4	ENTRANCE ACTIVATION RELAY UNDERCAR	14	SOFTGLOSS MAXX	24	PURCLEAN CARBON FILTER
5	ENTRANCE ACTIVATION PHOTOEYE WALL MOUNTED	15	SLIMLINE DRYER PNEUMATIC CONTROL BOX	25	ONBOARD HP PUMP W/CONTROL BOX
6	ENTRANCE ACTIVATION PHOTOEYE WALL MOUNTED (J-BOX BY OTHERS)	16	SLIMLINE DRYER (3 FAN)	26	PURCLEAN RECLAIM SYSTEM
7	TRENCH UNDERCAR MANIFOLD	17	SLIMLINE DRYER ELECTRICAL CONTROL BOX	27	OFFBOARD CHEMICAL INJECTION PUMP
8	SOFTGLOSS MAXX FLOOR TRACKS	18	COMMUNICATION INTERFACE BOX	28	
9	SOFTGLOSS MAXX BOOM MOUNT BRACKET	19	VALVE ASSY/WALL MOUNTED, UNDERCAR	29	SHF 60GAL AIR COMPRESSOR
10	SOFTGLOSS MAXX CABLE CARRIER	20		30	YSS COUNT DOWN TIMER

GENERAL NOTES:

- A LOCAL ENGINEER MUST APPROVE ALL CONSTRUCTION DRAWINGS TO VERIFY THEY MEET LOCAL, STATE AND NATIONAL CODES.
- ALL ELECTRICAL FITTINGS TO BE WATERTIGHT. ANY FIXTURES IN VICINITY OF WASH UNIT TO BE WATER TIGHT INCLUDING LIGHTS.
- DRILL A 1/4" DIAMETER DRAIN HOLE IN THE BOTTOM OF ALL JUNCTION BOXES THAT ARE LOCATED IN THE WASH BAY.
- ALL MATERIALS TO BE PROVIDED AND INSTALLED BY CUSTOMER UNLESS OTHERWISE SPECIFIED.
- CONSULT YOUR LOCAL RYKO REPRESENTATIVE FOR DIMENSIONS OTHER THAN SHOWN.
- TERMINATE ALL PIPES WITH FEMALE PIPE THREADS UNLESS OTHERWISE NOTED.
- ALL DIMENSIONS TO BE CLEAR SPACE DIMENSIONS.
- DO NOT USE WIRE LARGER OR SMALLER THAN THOSE SPECIFIED.
- ALL WIRES #16 AWG AND SMALLER ARE TO BE TFFN STRANDED.
- ALL WIRES #14 AWG AND LARGER ARE TO BE THHN STRANDED.
- NO CONDUITS MAY ENTER THE TOP OF ANY ENCLOSURE.
- BUILDING DETAILS ARE FOR ILLUSTRATION, AND ARE NOT INTENDED FOR CONSTRUCTION. PURCHASER SHOULD CONSULT WITH A PROPERLY CERTIFIED ENGINEER, CONTRACTOR, OR ARCHITECT WITH RESPECT TO COMPLIANCE WITH LOCAL SAFETY AND BUILDING CODES, FOR NECESSARY PERMITS AND LICENSES, AND FOR APPROPRIATE CONNECTIONS OF ALL UTILITIES.

NO.	DATE	REVISIONS
1	03.18.19	PEER COMMENTS



BID SET  
JUNE 27, 2019

**7-ELEVEN**  
**STORE #38777**

12060 US 301 N  
PARRISH, FL  
34219

PROJECT NO: 2018.0891  
DATE: FEBRUARY 26, 2019

**CWA4**

CAR WASH BAY AND  
EQUIPMENT LAYOUT AND  
SPECIFICATIONS

CHECKED: RW DRAWN: JUM

COPYRIGHT © 2019 INTERPLAN LLC. RESERVE RIGHTS RESTRICTING THESE DOCUMENTS TO THE ORIGINAL USE OR PURPOSE FOR WHICH THEY WERE PREPARED. REPRODUCTIONS, CHANGES OR ASSIGNMENTS ARE PROHIBITED.