

SEAL:

THIS DOCUMENT IS NOT
FOR REGULATORY
APPROVAL, PERMITTING,
OR CONSTRUCTION.

BJARNE MADSEN, P.E.
FL 58683



1673 LAKE BALDWIN LANE
ORLANDO, FLORIDA 32814
PH. (407) 252-4225
LIC EB28029
PROJECT # IP19-05

1 03/15/19 PEER COMMENTS

NO. DATE REMARKS

REVISIONS



BID SET
JUNE 27, 2019

7-ELEVEN
STORE #38777

US 301 & FORT HAMER RD.
PARRISH, FL
34219

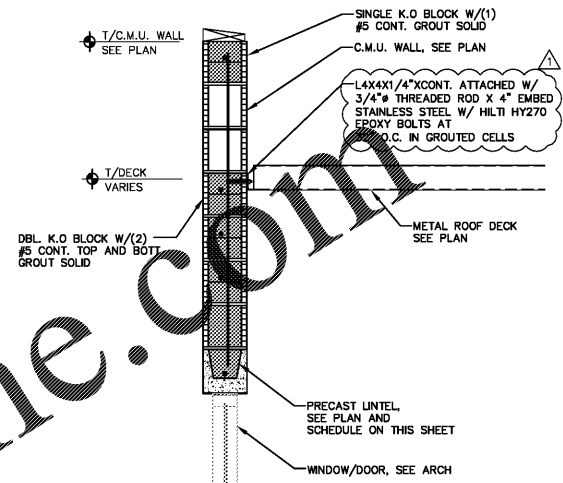
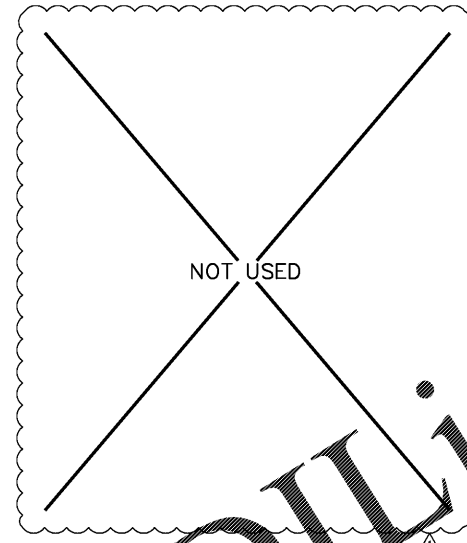
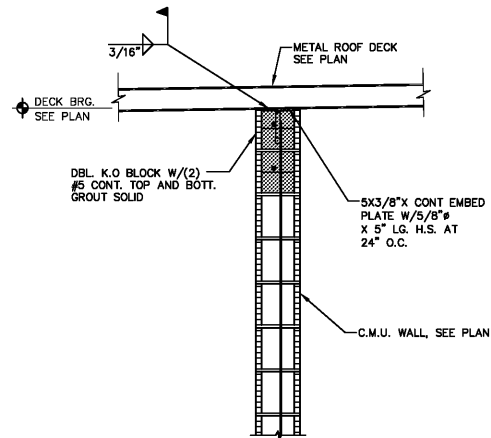
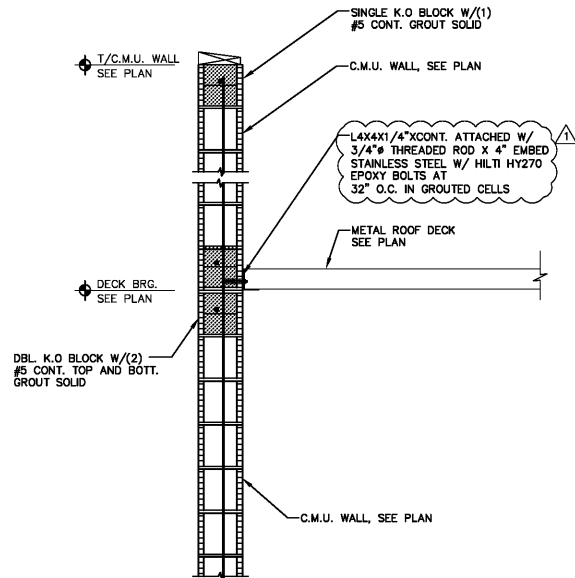
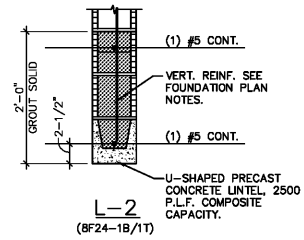
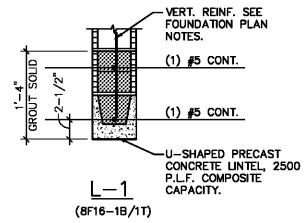
PROJECT NO: 2018.0891
DATE: FEBRUARY 26, 2019

CWS3.1

CAR WASH
TYPICAL DETAILS AND
SECTIONS

CHECKED: BM DRAWN: RED

COPYRIGHT © 2019 INTERPLAN LLC. RESERVE COPYRIGHT & OTHER RIGHTS RESTRICTING THESE DOCUMENTS TO THE ORIGINAL SET OR TYPED COPY WHICH THEY WERE PREPARED. REPRODUCTIONS, CHANGES OR ASSIGNMENTS ARE PROHIBITED.



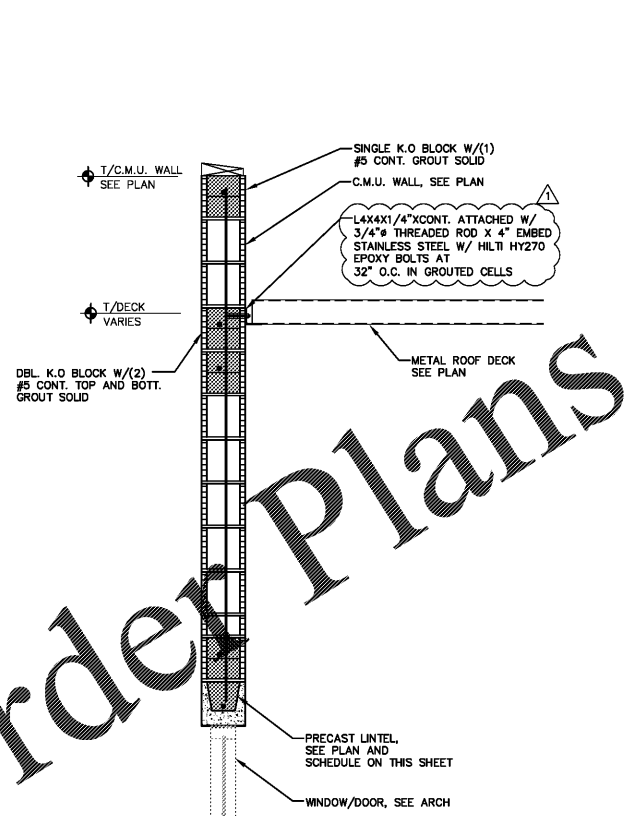
SECTION 1
3/4"=1'-0" CWS3.1

SECTION 2
3/4"=1'-0" CWS3.1

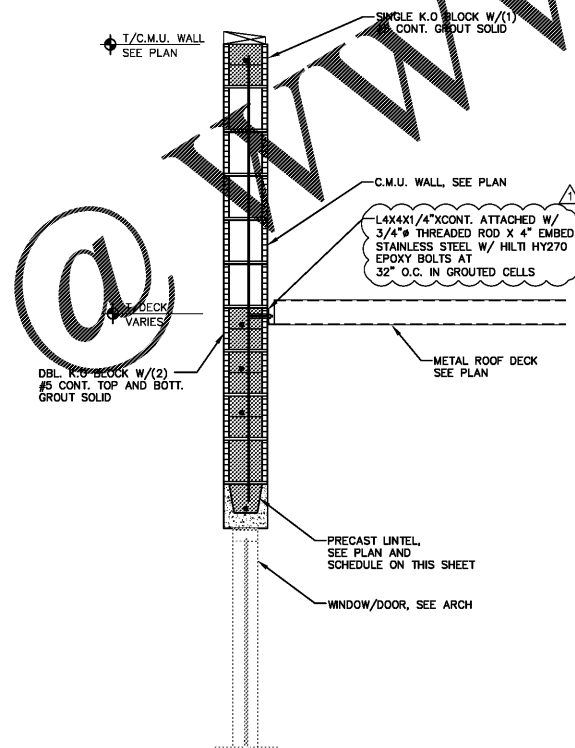
SECTION 3
3/4"=1'-0" CWS3.1

SECTION 4
3/4"=1'-0" CWS3.1

- NOTES:
1. 8" PRECAST LINTELS BY CASTORE CORPORATION OR APPROVED EQUAL.
 2. SHORE PRECAST LINTEL PER MANUFACTURER RECOMMENDATIONS.
 3. SEE THE ARCHITECTURAL DRAWINGS FOR SIZE AND LOCATION OF ALL OPENINGS.
 4. PROVIDE 8" MINIMUM BEARING EACH END.



SECTION 5
3/4"=1'-0" CWS3.1



SECTION 6
3/4"=1'-0" CWS3.1

8" C.M.U. PRECAST LINTEL SCHEDULE
N.T.S.

Order Plans

WWW.LDOnline.com