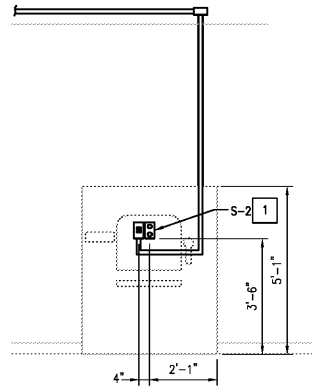


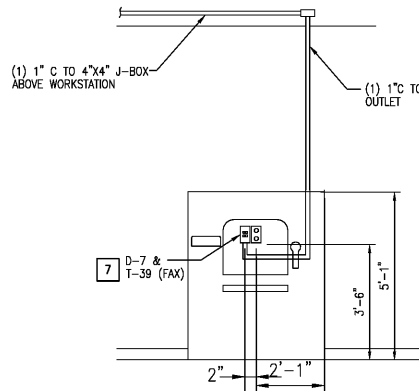
KEYED NOTES

- ISOLATED GROUND (IG) 20 AMP CIRCUIT FOR ATM, FLUSH MOUNT DUPLEX FACE PLATE WITH ORANGE RECEPTACLE.
- WORK STATION RECEPTACLE FOR TASK LIGHTING AND TRAINING COMPUTER.
- ISOLATED GROUND (IG) 20 AMP CIRCUIT FOR STORE COMPUTER, FLUSH MOUNT FACE PLATE FOR DUPLEX RECEPTACLE WHICH RECEIVES PLUG FROM UPS (BATTERY BACKUP) AND FUTURE PERIPHERALS.
- QUAD RECEPTACLE FOR SECURITY EQUIPMENT. RECEPTACLE RECEIVES THE FOLLOWING EQUIPMENT PLUGS:
 - VCR
 - MULTIPLY CONNECTION FOR CAMERAS
 - INTERCOM TO RECORD AUDIO AT SALES COUNTER
 - ALARM RECEIVER.
- ISOLATED GROUND (IG) 20 AMP CIRCUIT FOR STORE COMPUTER, FLUSH MOUNT FACE PLATE FOR QUAD RECEPTACLE.
- QUAD TO BE MOUNTED BEHIND CIGARETTE FIXTURE SO NOT VISIBLE TO CUSTOMER.
- RJ11 FLUSH MOUNT FACE PLATE FOR ATM DATA LINE TO RIS COMPUTER WITH JACK TO BE LABELED "ATM".
- DATA FOR NETWORK SWITCH TO DIGITAL MENU BOARD.
- JUNCTION BOX FOR CONNECTION TO POWER STRIP ON COOK WORKSTATION.

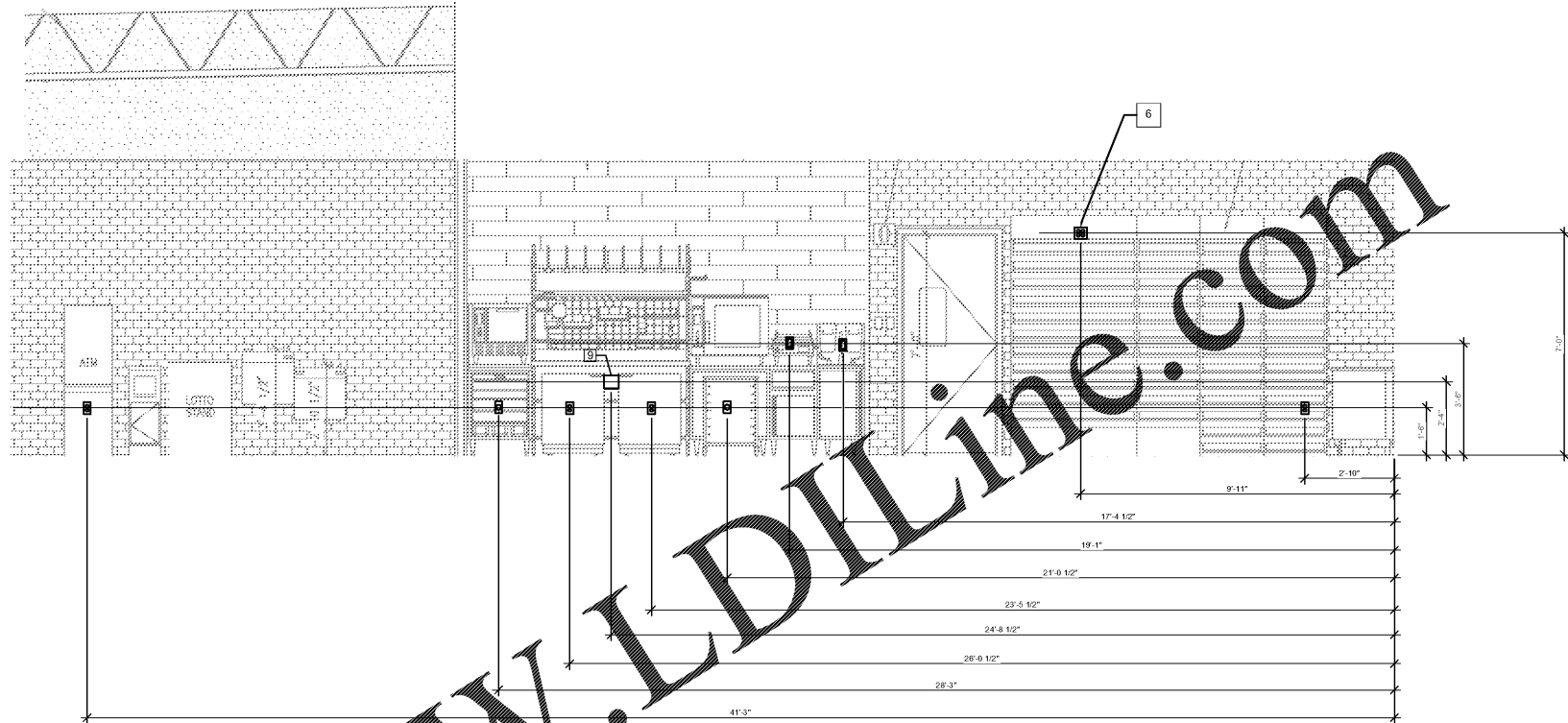
- NOT USED.
- ACCESS POINT EXTENDED ANTENNA CABLES, FOUR CAT 5 CABLES, RJ45 FEMALE IN A 4-PLEX, COVER PLATE LABELED TO 3 LOCATIONS BELOW:
 - CAT6 RJ45 FEMALE JACK CENTER OF SALES FLOOR SUSPENDED ABOVE CEILING TILE (MAY NEED TO MOVE LATER). 100' IN TOTAL LENGTH WITH EXTRA COILED AT FEMALE JACK
 - CAT6 RJ45 FEMALE JACK CENTER OF SALES FLOOR SUSPENDED ABOVE CEILING TILE (MAY NEED TO MOVE LATER). 100' IN TOTAL LENGTH WITH EXTRA COILED AT FEMALE JACK.
 - CAT6 RJ45 FEMALE JACK IN RECEPTACLE 84" ABOVE FLOOR - CENTER OF WALK-IN COOLER.
- DATA TELEPHONE CABLEING PROVIDED BY LTGC. CONTACT GREGORY LEVALDS (972) 801-9950. CONDUIT AND BOXES TO BE FURNISHED BY OWNER AND INSTALLED BY G.C.
- 24"x36" FIRE RETARDANT U-TECK BACKBOARD SHALL BE PLACED BEHIND RIS MONITOR AND ABOVE WORKSTATION RECEPTACLES. BACKBOARD WILL SUPPLY MOUNTING FOR SRX ROUTER AND RIS SWITCH. PROVIDED AND INSTALLED BY LTGC



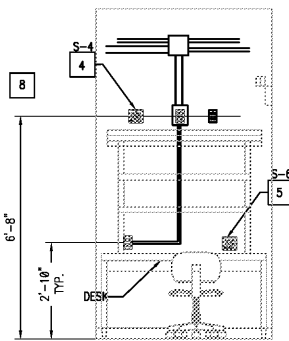
1 ATM WIRING-POWER NTS



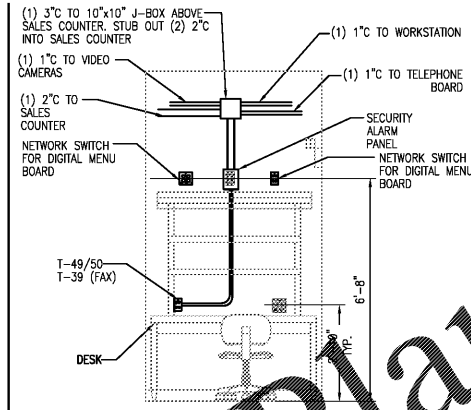
2 ATM WIRING LOW VOLTAGE NTS



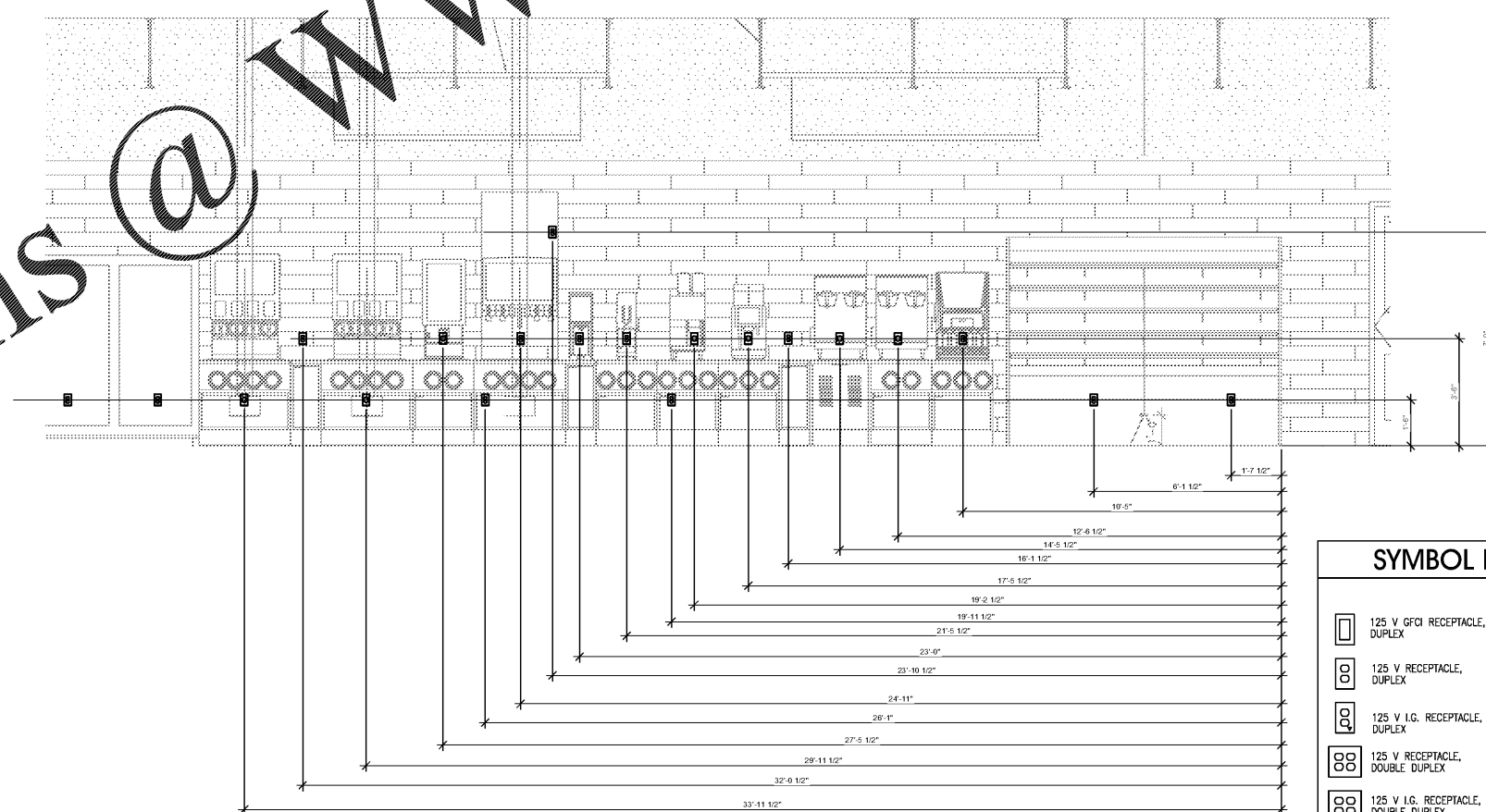
3 INTERIOR ELEVATION - SALES NTS



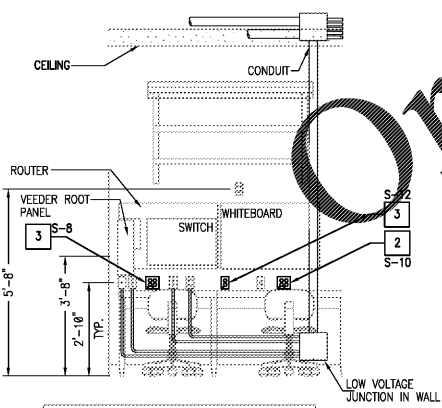
4 MGR'S OFFICE WIRING-POWER NTS



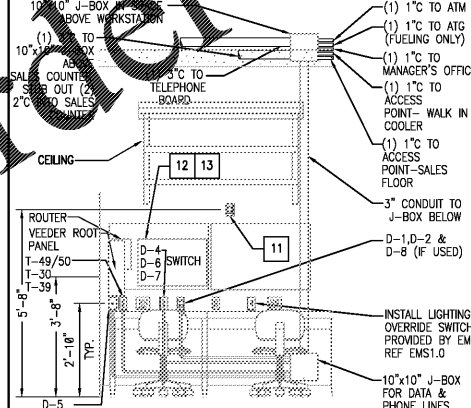
5 MGR'S OFFICE WIRING-LOW VOLTAGE NTS



6 INTERIOR ELEVATION - BEVERAGE BAR NTS



7 WORKSTATION WIRING-POWER NTS



8 WORKSTATION WIRING-LOW VOLTAGE NTS

SYMBOL LEGEND

	125 V GFCI RECEPTACLE, DUPLEX
	125 V RECEPTACLE, DUPLEX
	125 V I.G. RECEPTACLE, DUPLEX
	125 V RECEPTACLE, DOUBLE DUPLEX
	125 V I.G. RECEPTACLE, DOUBLE DUPLEX
	SPECIAL RECEPTACLE (SEE POWER PLAN FOR NEMA CONFIG)
	TELEPHONE/ DATA OUTLET

INTERPLAN
 ARCHITECTURE
 ENGINEERING
 INTERIOR DESIGN
 PROJECT MANAGEMENT

AA 003420
 CA 8660

604 COURTLAND STREET
 SUITE 100
 ORLANDO, FLORIDA 32804
 PH 407.645.5008
 FX 407.629.9124

SEAL:

THIS DOCUMENT IS NOT FOR REGULATORY APPROVAL, PERMITTING, OR CONSTRUCTION.

NO. DATE REMARKS
 REVISIONS



BID SET
 JUNE 27, 2019

**7-ELEVEN
 STORE #38777**

12060 US 301 N
 PARRISH, FL
 34219

PROJECT NO: 2018.0891
 DATE: FEBRUARY 26, 2019

E1.6
 ELECTRICAL DETAILS

CHECKED: BKJ DRAWN: MM

COPYRIGHT © 2019 INTERPLAN LLC. RESERVE RIGHTS RESTRICTING THESE DOCUMENTS TO THE ORIGINAL USE OR PURPOSE FOR WHICH THEY WERE PREPARED. REPRODUCTIONS, CHANGES OR ASSIGNMENTS ARE PROHIBITED.