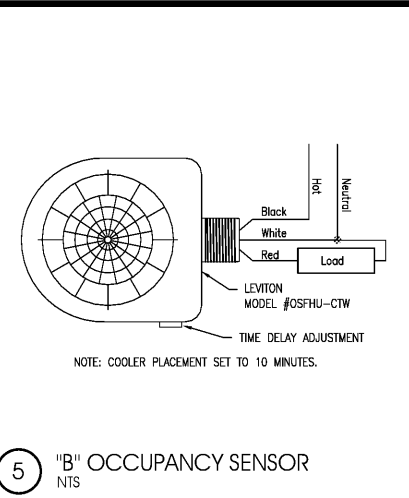
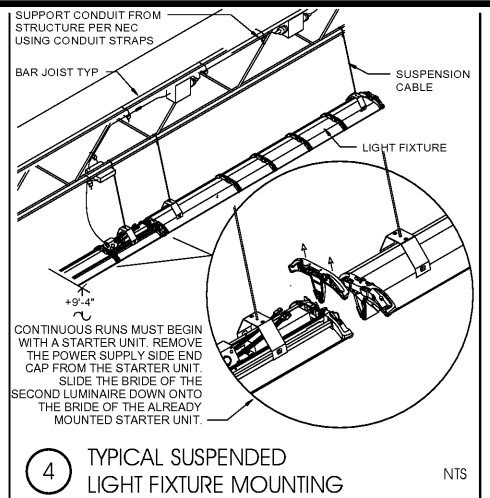


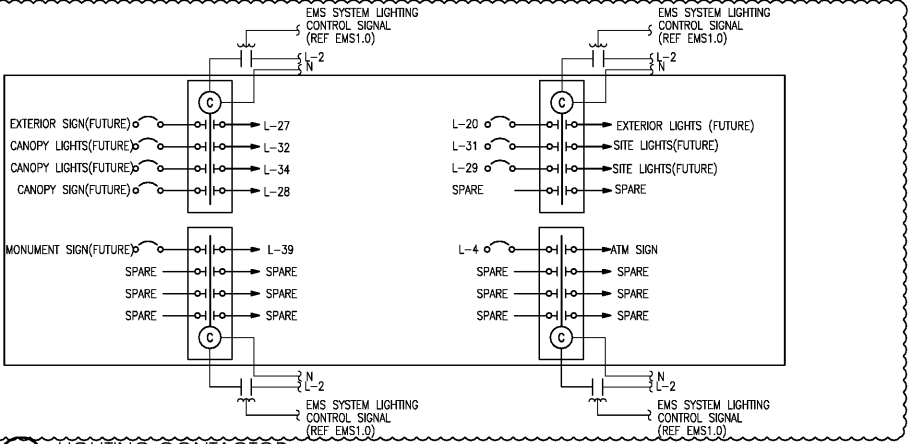
6 "A" OCCUPANCY SENSOR NTS



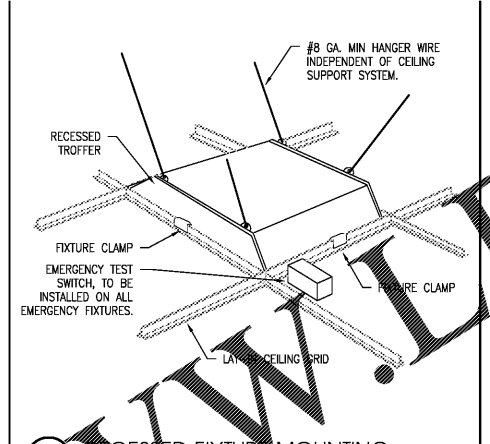
5 "B" OCCUPANCY SENSOR NTS



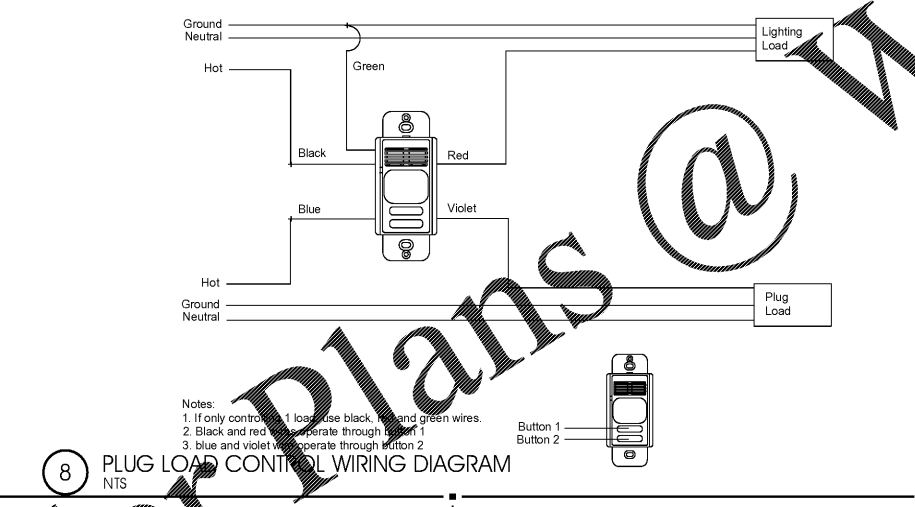
4 TYPICAL SUSPENDED LIGHT FIXTURE MOUNTING NTS



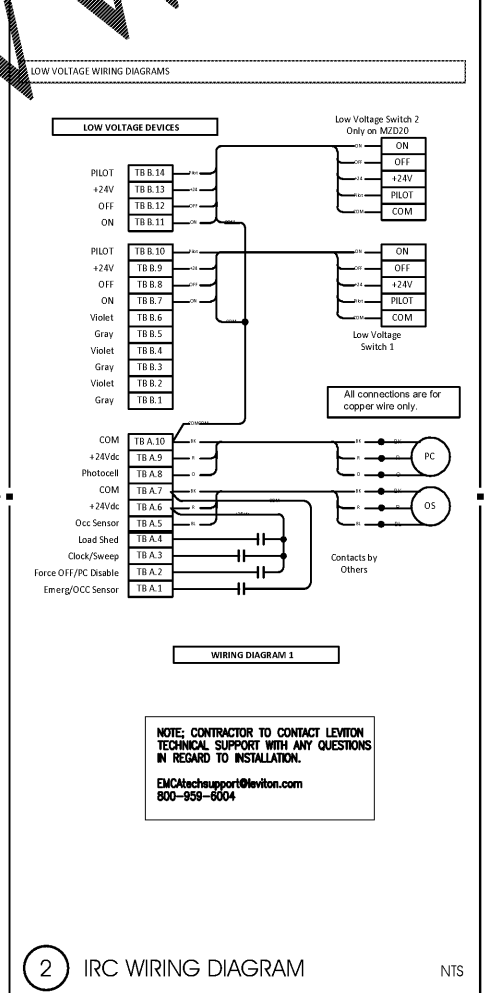
7 LIGHTING CONTACTOR NTS



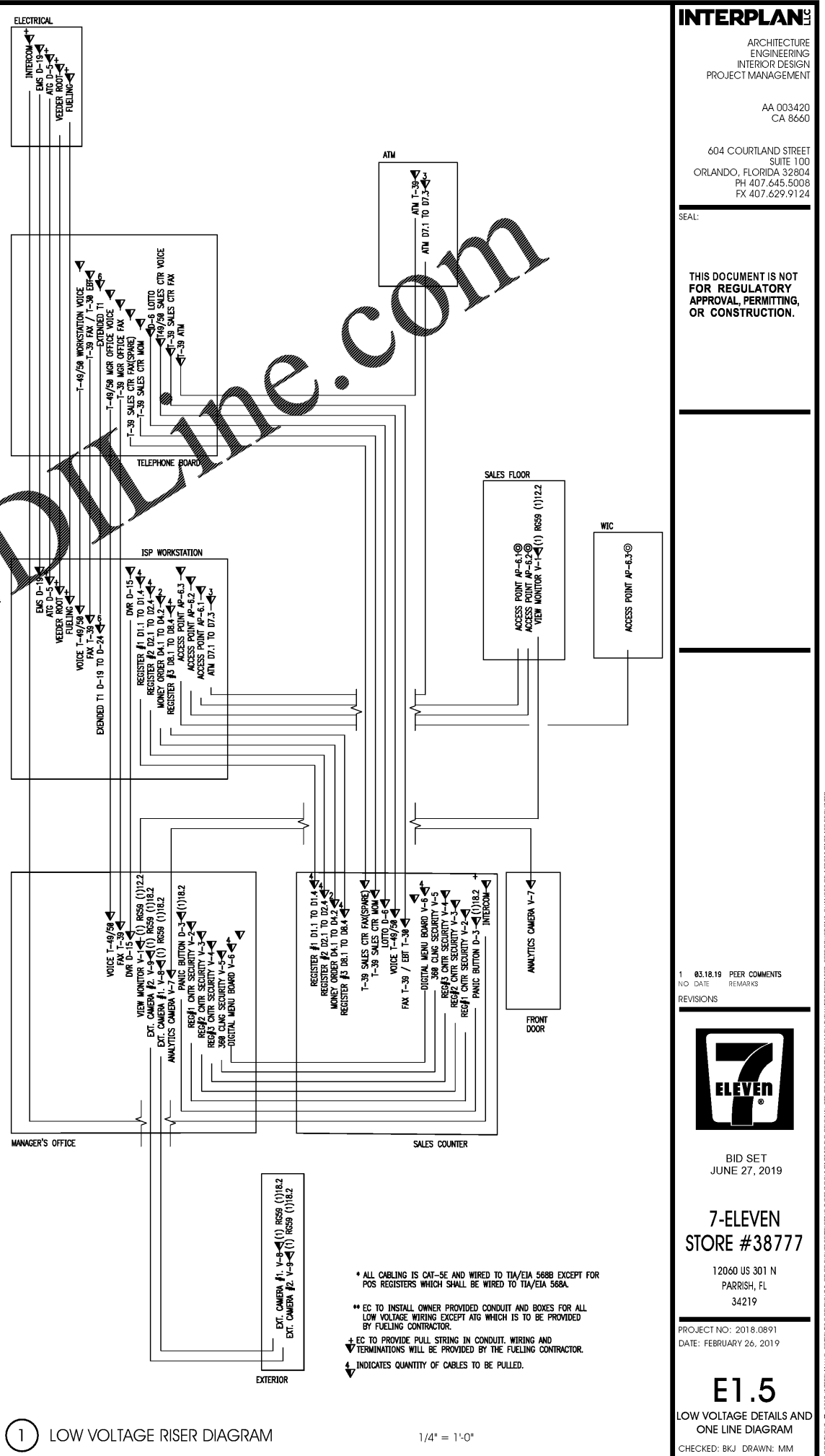
3 RECESSED FIXTURE MOUNTING NTS



8 PLUG LOAD CONTROL WIRING DIAGRAM NTS



2 IRC WIRING DIAGRAM NTS



1 LOW VOLTAGE RISER DIAGRAM

Order Plans @

SEAL:

THIS DOCUMENT IS NOT FOR REGULATORY APPROVAL, PERMITTING, OR CONSTRUCTION.

1 03.18.19 PEER COMMENTS
NO. DATE REMARKS

REVISIONS



BID SET
JUNE 27, 2019

7-ELEVEN
STORE #38777

12060 US 301 N
PARRISH, FL
34219

PROJECT NO: 2018.0891
DATE: FEBRUARY 26, 2019

E1.5
LOW VOLTAGE DETAILS AND ONE LINE DIAGRAM

CHECKED: BKJ DRAWN: MM

* ALL CABLEING IS CAT-5E AND WIRED TO TIA/EIA 568B EXCEPT FOR POS REGISTERS WHICH SHALL BE WIRED TO TIA/EIA 568A.

** EC TO INSTALL OWNER PROVIDED CONDUIT AND BOXES FOR ALL LOW VOLTAGE WIRING EXCEPT ATG WHICH IS TO BE PROVIDED BY FUELING CONTRACTOR.

† EC TO PROVIDE PULL STRING IN CONDUIT. WIRING AND TERMINATIONS WILL BE PROVIDED BY THE FUELING CONTRACTOR.

‡ INDICATES QUANTITY OF CABLES TO BE PULLED.

© 2019 INTERPLAN LLC. RESERVE COPYRIGHT & OTHER RIGHTS RESTRICTING REPRODUCTION OF THIS DOCUMENT TO THE ORIGINAL SET OR TYPED COPY WHICH THEY WERE PREPARED. REPRODUCTIONS, CHANGES OR ASSIGNMENTS ARE PROHIBITED.