

SEAL:

THIS DOCUMENT IS NOT
FOR REGULATORY
APPROVAL, PERMITTING,
OR CONSTRUCTION.

NO. DATE REMARKS
REVISIONS



BID SET
JUNE 27, 2019

7-ELEVEN
STORE #38777

12060 US 301 N
PARRISH, FL
34219

PROJECT NO: 2018.0891
DATE: FEBRUARY 26, 2019

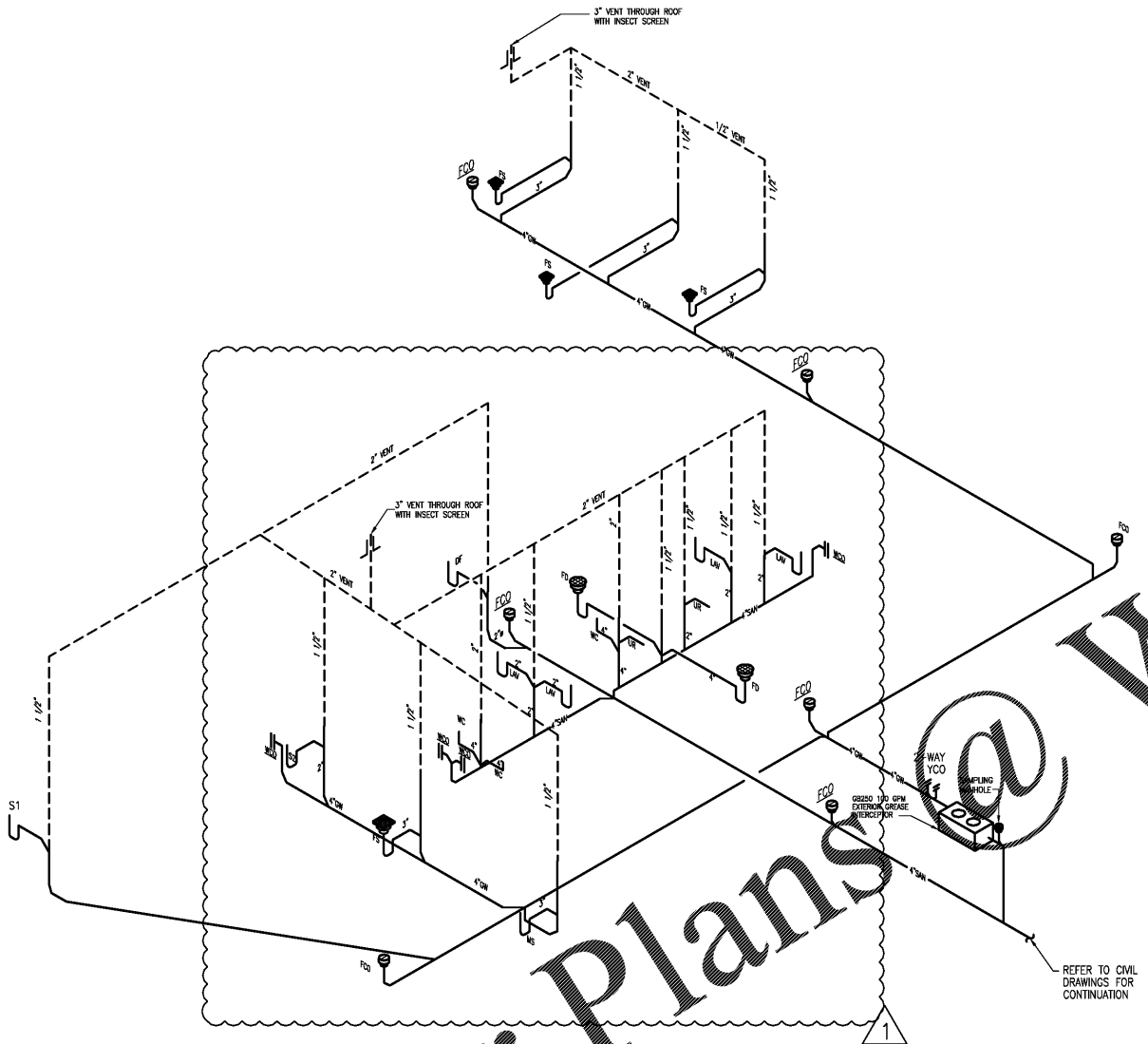
P1.3

PLUMBING RISER DIAGRAM

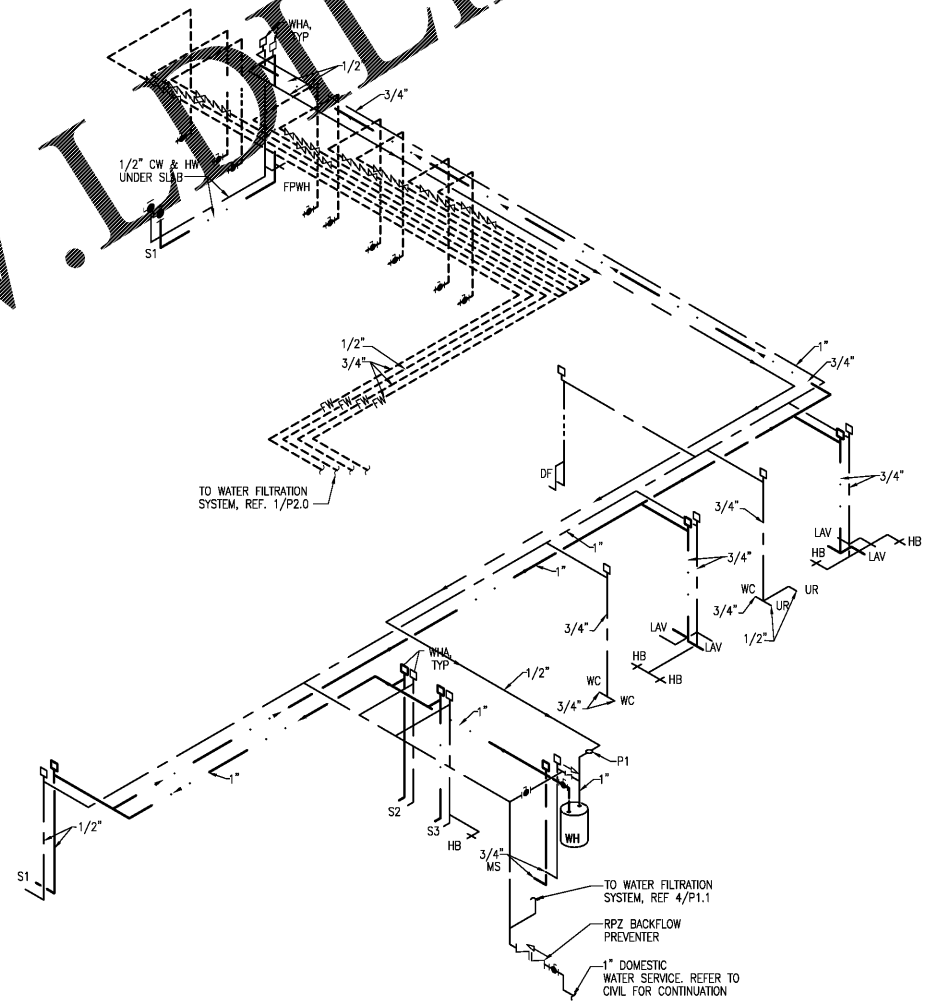
CHECKED: MM DRAWN: LE

COPYRIGHT © 2019 INTERPLAN LLC. REPRODUCE, COPY, OR TRANSMIT IN ANY FORM OR BY ANY MEANS, WITHOUT PERMISSION IN WRITING, IS STRICTLY PROHIBITED. REPRODUCTIONS, CHANGES OR ASSIGNMENTS ARE PROHIBITED.

WWW.LDLLine.com



1 SANITARY RISER
NTS



2 WATER RISER
NTS