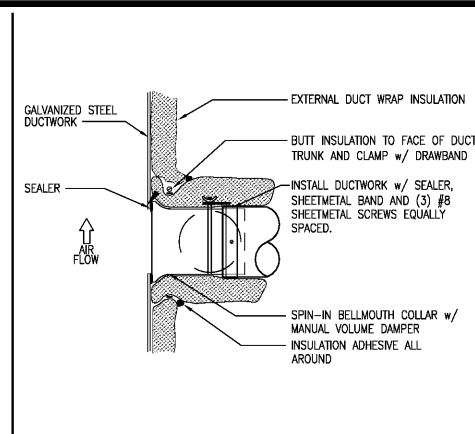
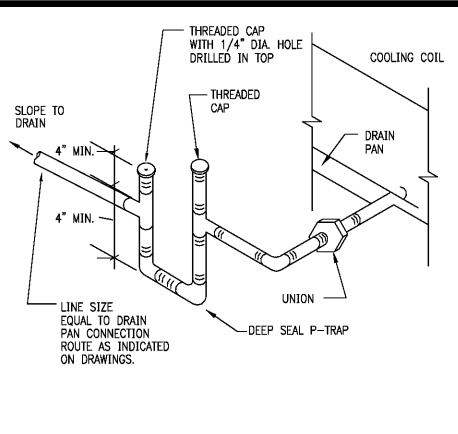


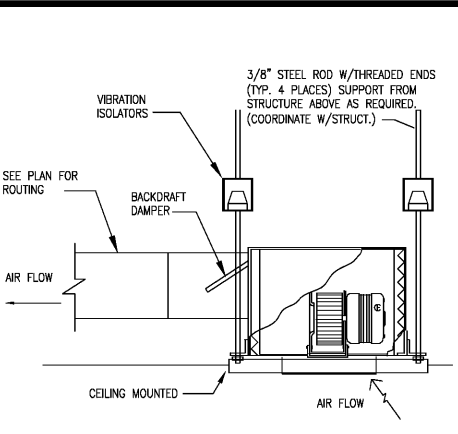
1 EXHAUST VENT THRU ROOF NTS



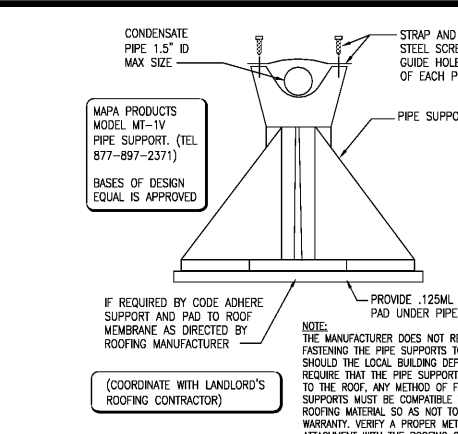
2 CONNECTION DUCT FITTING DETAIL NTS



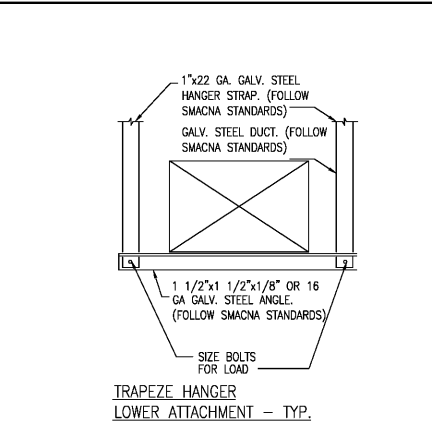
3 CONDENSATE P-TRAP DETAIL NTS



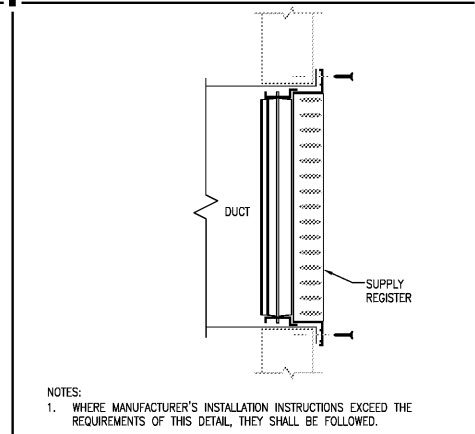
4 CABINET EXHAUST FAN DETAIL NTS



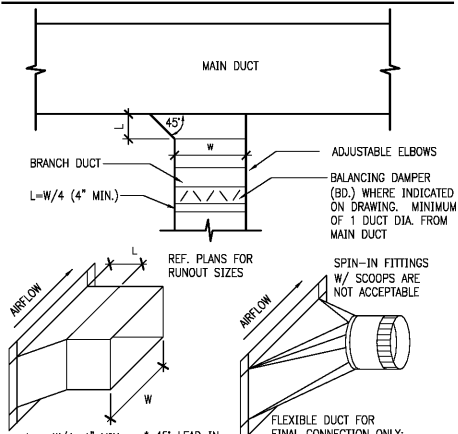
5 CONDENSATE PIPE SUPPORT DETAIL NTS



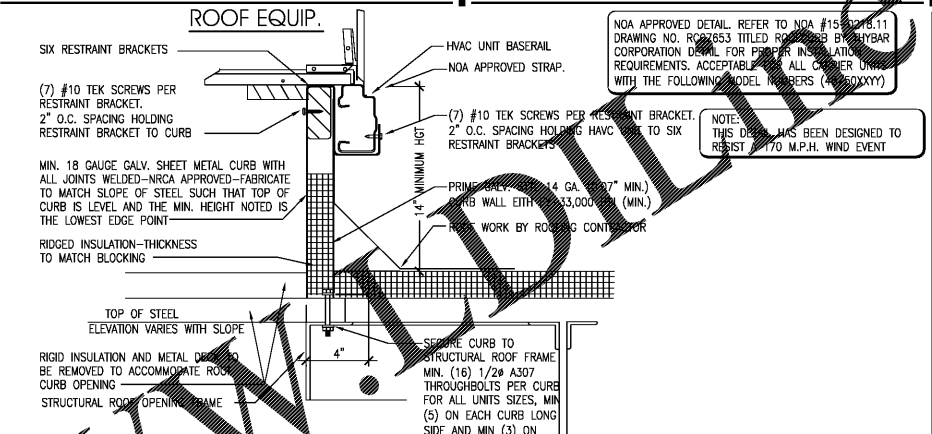
6 TYPICAL DUCT HANGING DETAIL NTS



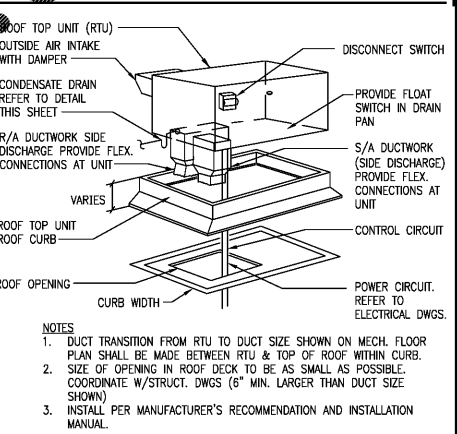
7 SIDEWALL SUPPLY REGISTER DETAIL NTS



8 RECTANGULAR BRANCH CONNECT NTS



9 TYPICAL EQUIPMENT WITH HURRICANE TIE DOWN DETAIL (NOA APPROVED) NTS



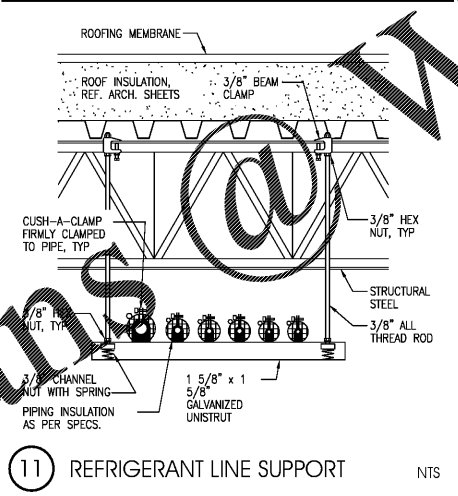
10 ROOF TOP UNIT MOUNTING DETAIL NTS



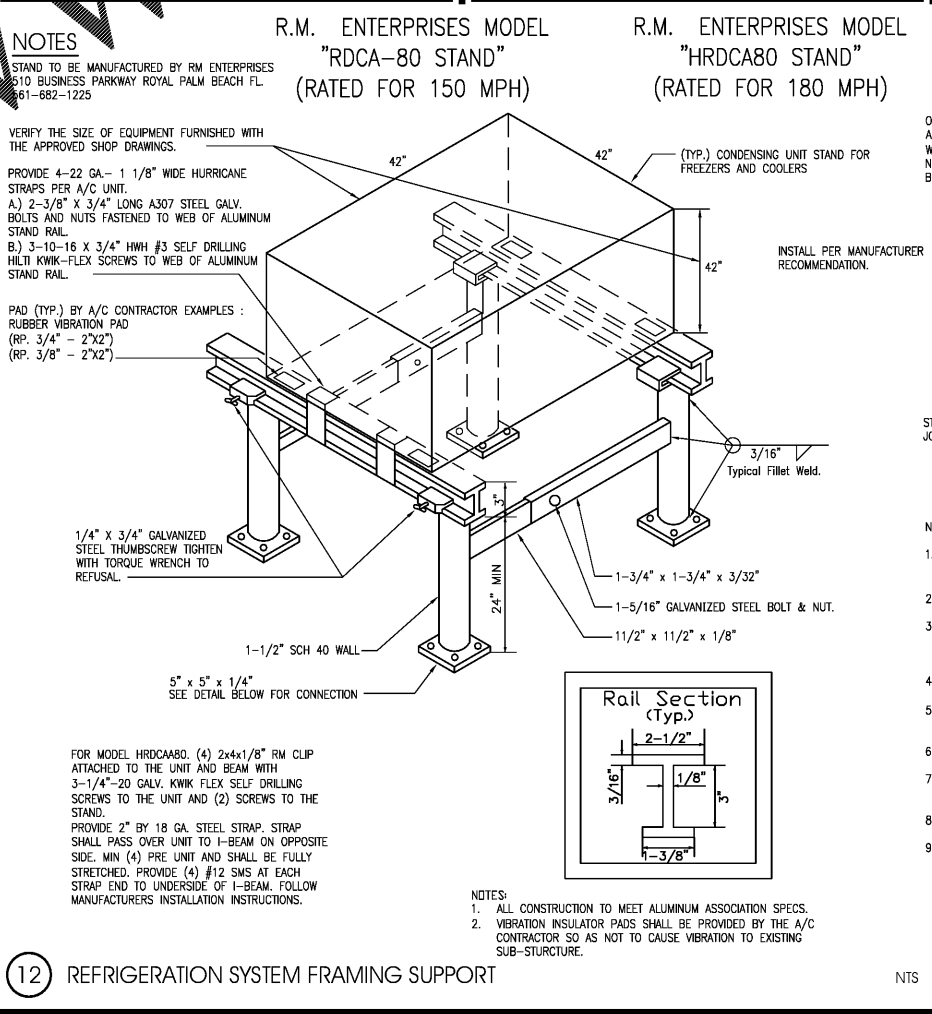
11 REFRIGERANT LINE SUPPORT NTS



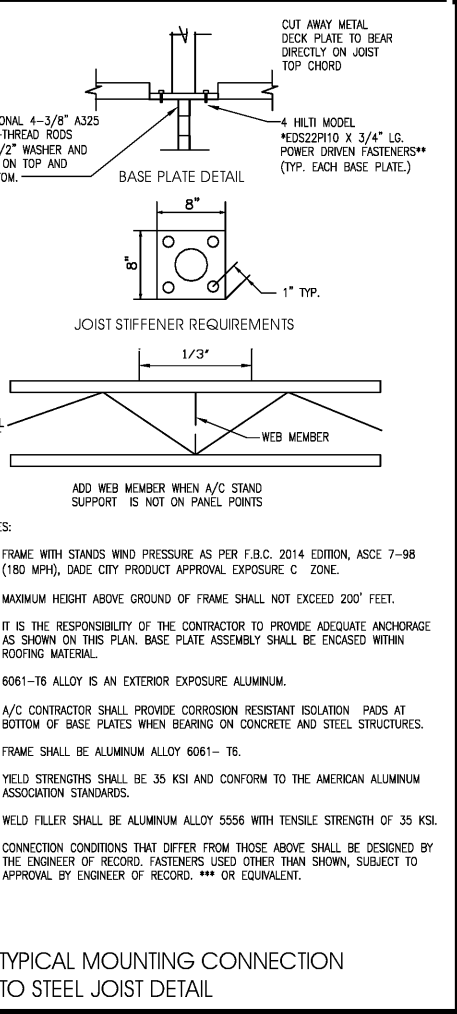
12 REFRIGERATION SYSTEM FRAMING SUPPORT NTS



13 TYPICAL MOUNTING CONNECTION TO STEEL JOIST DETAIL NTS



14 REFRIGERATION SYSTEM FRAMING SUPPORT NTS



15 TYPICAL MOUNTING CONNECTION TO STEEL JOIST DETAIL NTS

Order Plans @ WWW.INTERPLAN.COM

THIS DOCUMENT IS NOT FOR REGULATORY, PERMITTING, OR CONSTRUCTION.