

SEAL:

**THIS DOCUMENT IS NOT
FOR REGULATORY
APPROVAL, PERMITTING,
OR CONSTRUCTION.**

FOR
INFORMATION
ONLY

NO DATE REMARKS
REVISIONS



BID SET
JUNE 27, 2019

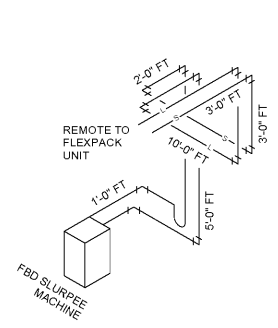
**7-ELEVEN
STORE #38777**

12060 US 301 N
PARRISH, FL
34219

PROJECT NO: 2018.0891
DATE: FEBRUARY 26, 2019

M1.3
FLEXPACK RISER DETAILS

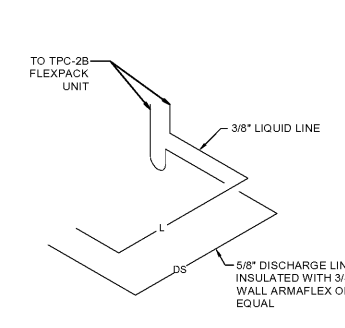
CHECKED: MM DRAWN: AE



OVERALL SLURPEE MACHINE (EACH) LIQUID AND DISCHARGE REFRIGERANT LINE LENGTHS

DESIGN NOTES:

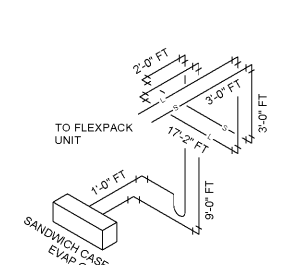
- PRE-CHARGED REFRIGERATION LINESETS ARE PROVIDED BY THE VENDOR, IN 50' SECTIONS, WITH 5/8" DS & 3/8" L (EF-1 #656)
- DESIGN LINE LENGTH = 48'-0"
- COMPRESSOR LOCATED IN FBD UNIT



ENLARGED INTERIOR SLURPEE MACHINE (EACH) LIQUID AND DISCHARGE REFRIGERANT LINE SIZES AND CONNECTIONS

INSTALLATION NOTES:

- MAXIMUM LINE LENGTH SHALL NOT EXCEED 50'-0"
- LINE SETS SHALL BE MEASURED AND CUT TO FIT TOTAL DEVELOPED LENGTH AS TO NOT HAVE ANY REMAINING COIL OF TUBING ON-SITE



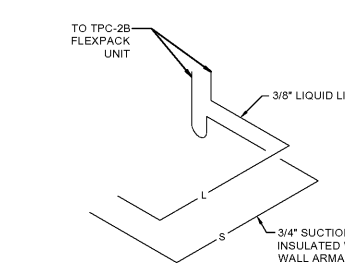
SANDWICH CASE LIQUID AND SUCTION REFRIGERANT LINE LENGTHS

DESIGN NOTES:

- PRE-CHARGED REFRIGERATION LINESETS ARE PROVIDED BY THE VENDOR, IN 50' SECTIONS, WITH 3/4" S & 3/8" L (EF-1 #656)
- DESIGN LINE LENGTH = 35'-2"
- HORIZONTAL SUCTION LINES SHOULD SLOPE DOWNWARD FROM THE EVAPORATOR TOWARD THE COMPRESSOR AT THE RATE OF 1/4 INCH PER 10 FEET FOR GOOD OIL RETURN TO THE COMPRESSOR.

PIPING DIAGRAM FOR THE R-448-A MEDIUM TEMPERATURE (+20°F SST) COOLER REFRIGERATION SYSTEM

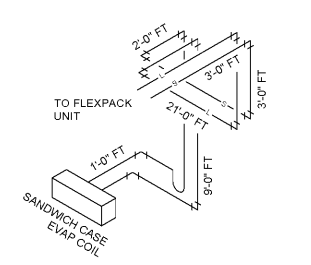
REFER TO RSC & HEATCRAFT INSTALLATION MANUALS.
HTTPS://DOCS.WIXSTATIC.COM/UGD/E4953_09281B1D737B44DB9083ACBD77A1F612.PDF
HTTP://WWW.HEATCRAFTRPD.COM/PDF/80/H-IM-CU.PDF



ENLARGED INTERIOR SANDWICH CASE LIQUID AND SUCTION REFRIGERANT LINE SIZES AND CONNECTIONS

INSTALLATION NOTES:

- MAXIMUM LINE LENGTH SHALL NOT EXCEED 50'-0"
- LINE SETS SHALL BE MEASURED AND CUT TO FIT TOTAL DEVELOPED LENGTH AS TO NOT HAVE ANY REMAINING COIL OF TUBING ON-SITE



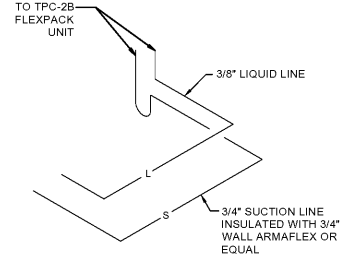
SANDWICH CASE LIQUID AND SUCTION REFRIGERANT LINE LENGTHS

DESIGN NOTES:

- PRE-CHARGED REFRIGERATION LINESETS ARE PROVIDED BY THE VENDOR, IN 50' SECTIONS, WITH 3/4" S & 3/8" L (EF-1 #656)
- DESIGN LINE LENGTH = 39'-0" HORIZONTAL SUCTION LINES SHOULD SLOPE DOWNWARD FROM THE EVAPORATOR TOWARD THE COMPRESSOR AT THE RATE OF 1/4 INCH PER 10 FEET FOR GOOD OIL RETURN TO THE COMPRESSOR.

PIPING DIAGRAM FOR THE R-448-A MEDIUM TEMPERATURE (+20°F SST) COOLER REFRIGERATION SYSTEM

REFER TO RSC & HEATCRAFT INSTALLATION MANUALS.
HTTPS://DOCS.WIXSTATIC.COM/UGD/E4953_09281B1D737B44DB9083ACBD77A1F612.PDF
HTTP://WWW.HEATCRAFTRPD.COM/PDF/80/H-IM-CU.PDF

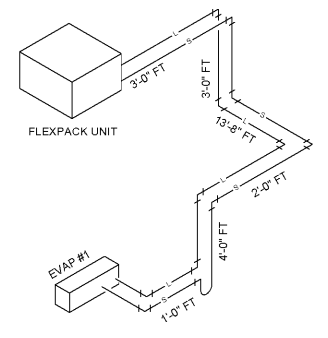


ENLARGED INTERIOR SANDWICH CASE LIQUID AND SUCTION REFRIGERANT LINE SIZES AND CONNECTIONS

INSTALLATION NOTES:

- MAXIMUM LINE LENGTH SHALL NOT EXCEED 50'-0"
- LINE SETS SHALL BE MEASURED AND CUT TO FIT TOTAL DEVELOPED LENGTH AS TO NOT HAVE ANY REMAINING COIL OF TUBING ON-SITE

9 SLURPEE MACHINE (EACH)
N.T.S.



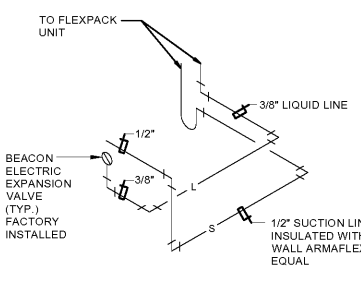
OVERALL ICE FREEZER LIQUID AND SUCTION REFRIGERANT LINE LENGTHS

SUCTION LINE DESIGN NOTES:

- AT EVAP #1, THERE IS ONE (1) ELBOW.
- THE P-TRAP IS EQUIVALENT TO THREE (3) ELBOWS.
- THE REMAINDER OF THE LINE RUN SHOWS FOUR (4) ELBOWS.
- LINE SIZING TABLE 24 FROM THE MANUAL SHOWS 2,950 BTUH REQUIRES A 1/2" SUCTION FOR UP TO 50'-0" OF EQUIVALENT LINE LENGTH.
- HORIZONTAL SUCTION LINES SHOULD SLOPE DOWNWARD FROM THE EVAPORATOR TOWARD THE COMPRESSOR AT THE RATE OF 1/4 INCH PER 10 FEET FOR GOOD OIL RETURN TO THE COMPRESSOR.

PIPING DIAGRAM FOR THE R-448-A LOW TEMPERATURE (-20°F SST) FREEZER REFRIGERATION SYSTEM

REFER TO REFRIGERATION INSTALLATION MANUAL FOR LONGER LINE RUNS.
HTTP://WWW.HEATCRAFTRPD.COM/PDF/80/H-IM-CU.PDF

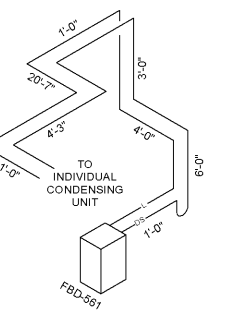


ENLARGED INTERIOR VAULT ICE FREEZER LIQUID AND SUCTION REFRIGERANT LINE SIZES AND CONNECTIONS

SUCTION LINE SIZING - 2,950 BTUH @ -20°F:

- (8) 1/2" ELBOWS: EQUIVALENT LINE LENGTH = 8'-0"
- 1/2" LINE LENGTH = 26'-8"
- TOTAL LINEAL LINE LENGTH = 34'-8"
- SUCTION LINE SIZE = 1/2"
- LIQUID LINE SIZE = 3/8"

8 SANDWICH CASE RSC6
N.T.S.



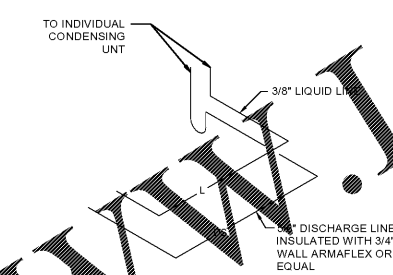
OVERALL LEMONADE MACHINE LIQUID AND DISCHARGE REFRIGERANT LINE LENGTHS

DESIGN NOTES:

- PRE-CHARGED REFRIGERATION LINESETS ARE PROVIDED BY THE VENDOR, IN 50' SECTIONS, WITH 3/4" S & 3/8" L (EF-1 #656)
- DESIGN LINE LENGTH = 48'-10"
- COMPRESSOR LOCATED IN FBD UNIT

PIPING DIAGRAM FOR THE R-448-A MEDIUM TEMPERATURE (+20°F SST) COOLER REFRIGERATION SYSTEM

REFER TO RSC & HEATCRAFT INSTALLATION MANUALS.
HTTPS://DOCS.WIXSTATIC.COM/UGD/E4953_09281B1D737B44DB9083ACBD77A1F612.PDF
HTTP://WWW.HEATCRAFTRPD.COM/PDF/80/H-IM-CU.PDF

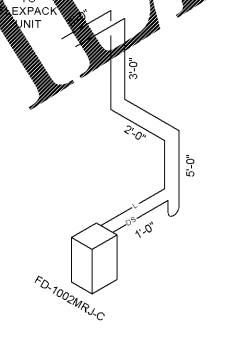


ENLARGED INTERIOR LEMONADE MACHINE LIQUID AND DISCHARGE REFRIGERANT LINE SIZES AND CONNECTIONS

INSTALLATION NOTES:

- MAXIMUM LINE LENGTH SHALL NOT EXCEED 50'-0"
- LINE SETS SHALL BE MEASURED AND CUT TO FIT TOTAL DEVELOPED LENGTH AS TO NOT HAVE ANY REMAINING COIL OF TUBING ON-SITE

7 SANDWICH CASE RSC3
N.T.S.



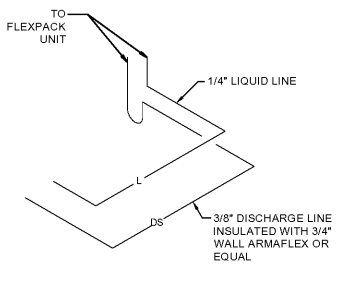
ICE MAKER LIQUID AND SUCTION REFRIGERANT LINE LENGTHS

DESIGN NOTES:

- PRE-CHARGED REFRIGERATION LINESETS ARE PROVIDED BY THE VENDOR, IN 35' SECTIONS, WITH 3/8" DS & 1/4" L (EF-1 #112)
- DESIGN LINE LENGTH = 16'-0"
- COMPRESSOR LOCATED IN ICE MAKER

PIPING DIAGRAM FOR THE R-448-A MEDIUM TEMPERATURE (+20°F SST) COOLER REFRIGERATION SYSTEM

REFER TO HOSHIZAKI INSTALLATION MANUAL
HTTP://WWW.HOSHIZAKI.COM/DOCS/MANUALS/FLAKER_IS_BC_INST.PDF

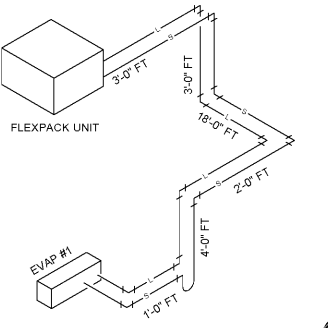


ENLARGED INTERIOR ICE MAKER LIQUID AND SUCTION REFRIGERANT LINE SIZES AND CONNECTIONS

INSTALLATION NOTES:

- MAXIMUM LINE LENGTH SHALL NOT EXCEED 66'-0"
- LINE SETS SHALL BE MEASURED AND CUT TO FIT TOTAL DEVELOPED LENGTH AS TO NOT HAVE ANY REMAINING COIL OF TUBING ON-SITE
- MAXIMUM RISE IS 33'-0"

6 2 DOOR REMOTE ICE
N.T.S.



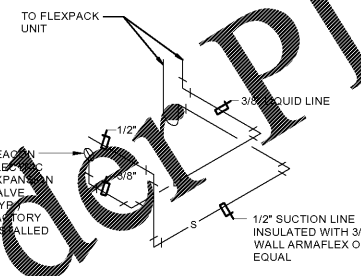
OVERALL ICE MERCHANDISER LIQUID AND SUCTION REFRIGERANT LINE LENGTHS

SUCTION LINE DESIGN NOTES:

- AT EVAP #1, THERE IS ONE (1) ELBOW.
- THE P-TRAP IS EQUIVALENT TO THREE (3) ELBOWS.
- THE REMAINDER OF THE LINE RUN SHOWS FOUR (4) ELBOWS.
- LINE SIZING TABLE 24 FROM THE MANUAL SHOWS 2,420 BTUH REQUIRES A 1/2" SUCTION FOR UP TO 100'-0" OF EQUIVALENT LINE LENGTH.
- HORIZONTAL SUCTION LINES SHOULD SLOPE DOWNWARD FROM THE EVAPORATOR TOWARD THE COMPRESSOR AT THE RATE OF 1/4 INCH PER 10 FEET FOR GOOD OIL RETURN TO THE COMPRESSOR.

PIPING DIAGRAM FOR THE R-448-A LOW TEMPERATURE (+10°F SST) FREEZER REFRIGERATION SYSTEM

REFER TO REFRIGERATION INSTALLATION MANUAL FOR LONGER LINE RUNS.
HTTP://WWW.HEATCRAFTRPD.COM/PDF/80/H-IM-CU.PDF

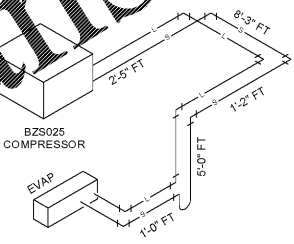


ENLARGED INTERIOR VAULT ICE MERCHANDISER LIQUID AND SUCTION REFRIGERANT LINE SIZES AND CONNECTIONS

SUCTION LINE SIZING - 2,420 BTUH @ +10°F:

- (8) 1/2" ELBOWS: EQUIVALENT LINE LENGTH = 8'-0"
- 1/2" LINE LENGTH = 31'-0"
- TOTAL LINEAL LINE LENGTH = 39'-0"
- SUCTION LINE SIZE = 1/2"
- LIQUID LINE SIZE = 3/8"

5 LEMONADE MACHINE
N.T.S.



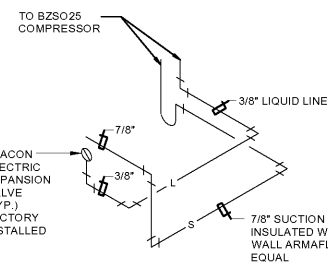
BEER CAVE LIQUID AND SUCTION REFRIGERANT LINE LENGTHS

SUCTION LINE DESIGN NOTES:

- AT EVAP THERE IS ONE (1) ELBOW.
- THE P-TRAP IS EQUIVALENT TO THREE (3) ELBOWS.
- THE REMAINDER OF THE LINE RUN SHOWS THREE (3) ELBOWS.
- LINE SIZING TABLE 24 FROM THE MANUAL SHOWS 17,052 BTUH REQUIRES A 7/8" SUCTION FOR UP TO 50'-0" OF EQUIVALENT LINE LENGTH.
- HORIZONTAL SUCTION LINES SHOULD SLOPE DOWNWARD FROM THE EVAPORATOR TOWARD THE COMPRESSOR AT THE RATE OF 1/4 INCH PER 10 FEET FOR GOOD OIL RETURN TO THE COMPRESSOR.

PIPING DIAGRAM FOR THE R-448-A LOW TEMPERATURE (-20°F SST) FREEZER REFRIGERATION SYSTEM

REFER TO REFRIGERATION INSTALLATION MANUAL FOR LONGER LINE RUNS.
HTTP://WWW.HEATCRAFTRPD.COM/PDF/80/H-IM-CU.PDF

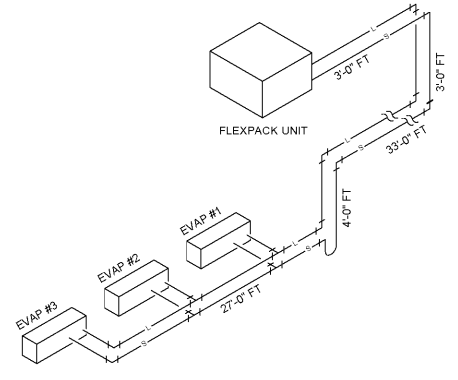


ENLARGED INTERIOR VAULT FREEZER LIQUID AND SUCTION REFRIGERANT LINE SIZES AND CONNECTIONS

SUCTION LINE SIZING - 17,052 BTUH @ -20°F:

- (7) 7/8" ELBOWS: EQUIVALENT LINE LENGTH = 14'-0"
- 7/8" LINE LENGTH = 18'-0"
- TOTAL LINEAL LINE LENGTH = 32'-0"
- SUCTION LINE SIZE = 7/8"
- LIQUID LINE SIZE = 3/8"

4 FD-1002MRJ-C ICE MAKER
N.T.S.



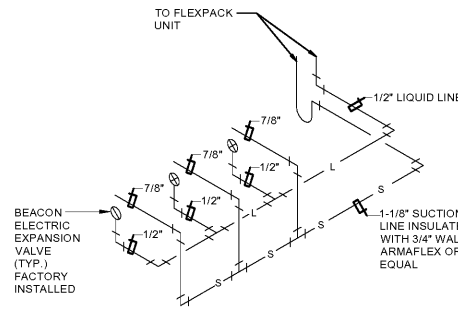
OVERALL VAULT COOLER LIQUID AND SUCTION REFRIGERANT LINE LENGTHS

SUCTION LINE DESIGN NOTES:

- AT EVAP #1 AND #2 THERE IS ONE (1) TEE EACH.
- AT EVAP #3 THERE IS ONE (1) ELBOW.
- THE P-TRAP IS EQUIVALENT TO THREE (3) ELBOWS.
- THE REMAINDER OF THE LINE RUN SHOWS FOUR (4) ELBOWS.
- LINE SIZING TABLE 24 FROM THE MANUAL SHOWS 31,550 BTUH REQUIRES A 1-1/8" SUCTION FOR UP TO 100'-0" OF EQUIVALENT LINE LENGTH.
- HORIZONTAL SUCTION LINES SHOULD SLOPE DOWNWARD FROM THE EVAPORATOR TOWARD THE COMPRESSOR AT THE RATE OF 1/4 INCH PER 10 FEET FOR GOOD OIL RETURN TO THE COMPRESSOR.

PIPING DIAGRAM FOR THE R-448-A MEDIUM TEMPERATURE (+20°F SST) COOLER REFRIGERATION SYSTEM

REFER TO REFRIGERATION INSTALLATION MANUAL FOR LONGER LINE RUNS.
HTTP://WWW.HEATCRAFTRPD.COM/PDF/80/H-IM-CU.PDF



ENLARGED INTERIOR VAULT COOLER LIQUID AND SUCTION REFRIGERANT LINE SIZES AND CONNECTIONS

SUCTION LINE SIZING - 31,550 BTUH @ +20°F:

- (8) 1-1/8" ELBOWS: EQUIVALENT LINE LENGTH = 24'-0"
- (2) 1-1/8" TEES: EQUIVALENT LINE LENGTH = 4'-0"
- 1-1/8" LINE LENGTH = 70'-0"
- TOTAL LINEAL LINE LENGTH = 98'-0"
- SUCTION LINE SIZE = 1-1/8"
- LIQUID LINE SIZE = 1/2"

3 ICE MERCHANDISER
N.T.S.

2 BEER CAVE CU-1
N.T.S.

1 VAULT COOLER
N.T.S.

Order Plans @

WWW.LDIDLINE.COM