

SEAL:

THIS DOCUMENT IS NOT
FOR REGULATORY
APPROVAL, PERMITTING,
OR CONSTRUCTION.

FOR
INFORMATION
ONLY

NO DATE REMARKS
REVISIONS



BID SET
JUNE 27, 2019

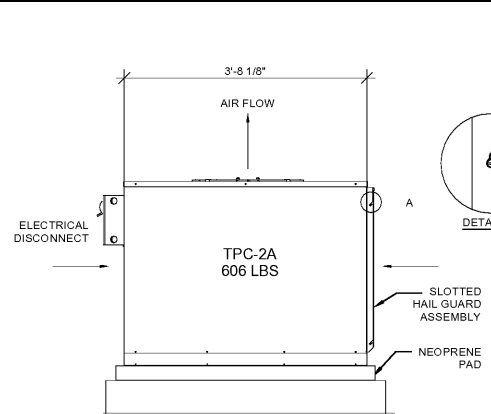
**7-ELEVEN
STORE #38777**

12060 US 301 N
PARRISH, FL
34219

PROJECT NO: 2018.0891
DATE: FEBRUARY 26, 2019

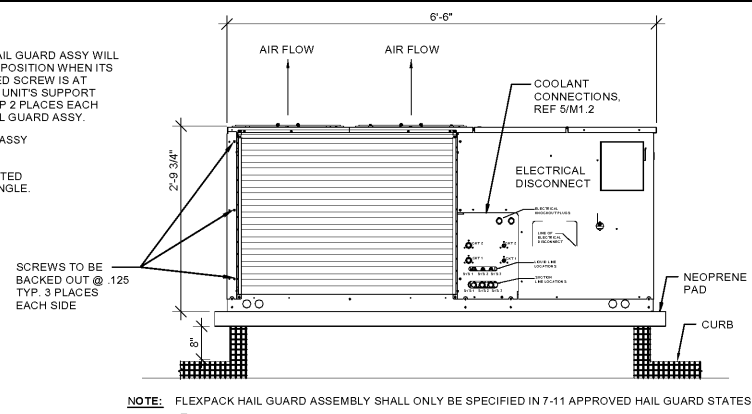
M1.2
FLEXPACK DETAILS

CHECKED: MM DRAWN: AE



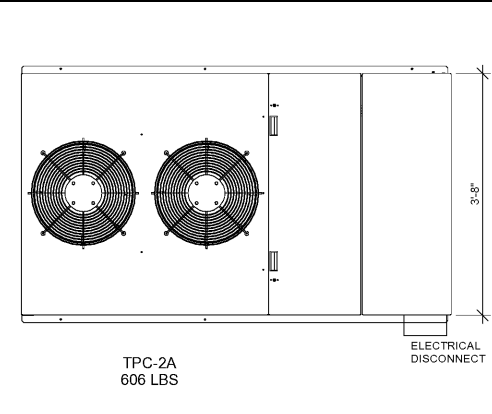
3 TPC-2A FLEXPACK SHORT SIDE VIEW

3/4" = 1'-0"

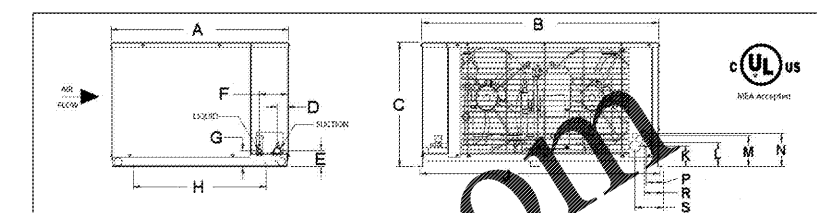


2 TPC-2A FLEXPACK SIDE AND PLAN VIEW

3/4" = 1'-0"



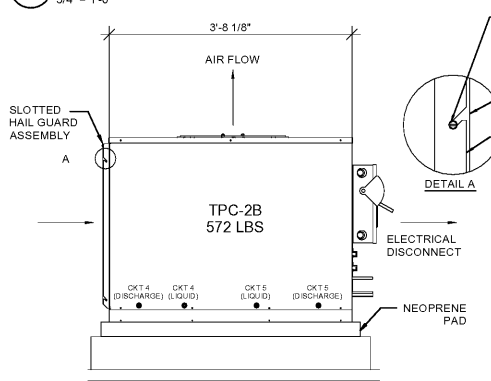
TPC-2A
606 LBS



DIMENSIONS (inches)									
A	B	C	D	E	F	G	H	J	
28 1/4	37 3/4	19 3/4	1 1/16	5/8	9/16	2 9/16	21 1/8	38 1/4	

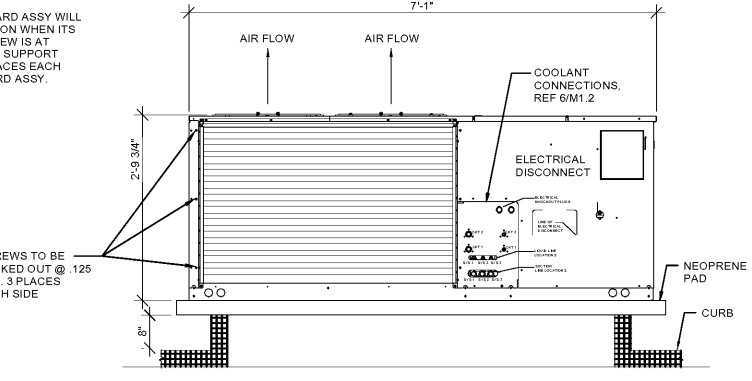
DIMENSIONS (inches)						
K	L	P	R	S		
3 1/4	3 13/16	5 5/16	5 1/4	1 15/16	2 1/4	3 11/16

BZS025 BEER CAVE CONDENSER
NOT TO SCALE



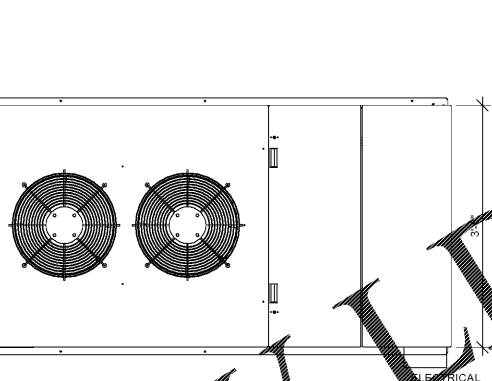
4 TPC-2B FLEXPACK SHORT SIDE VIEW

3/4" = 1'-0"



1 TPC-2B FLEXPACK SIDE AND PLAN VIEW

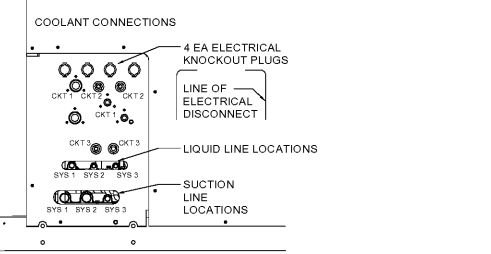
3/4" = 1'-0"



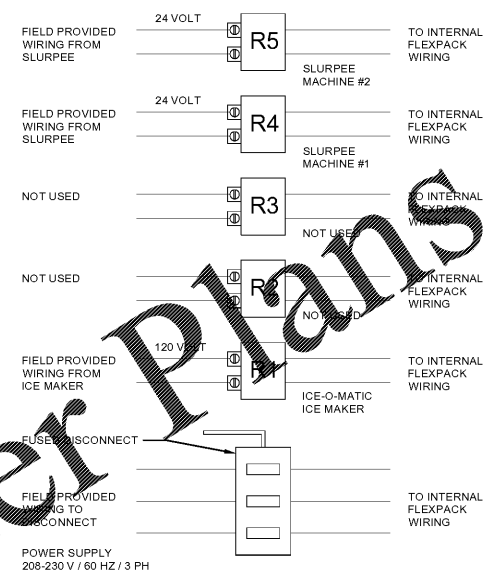
TPC-2B
572 LB

CKT 4: SLURPEE CONNECTION - 3/8" LIQUID AND 1/2" DISCHARGE
CKT 5: SLURPEE CONNECTION - 3/8" LIQUID AND 1/2" DISCHARGE
REF 3/M1.2 FOR SYS 1-6 LOCATIONS
NOTE: INDICATED SIZES ABOVE ARE FINAL CONNECTION SIZES TO THE FLEXPACK UNIT.

NOTE: FLEXPACK HAIL GUARD ASSEMBLY SHALL ONLY BE SPECIFIED IN 7-11 APPROVED HAIL GUARD STATES.



TPC-2B FLEXPACK AND REMOTE RELAY WIRING:



TPC-2A LINE CONNECTION LOCATION:

SYS 1 IS VAULT COOLER CONNECTION - (3) ADT130
SYS 2 IS REMOTE FREEZER - (1) BTL046B
SYS 3 IS VAULT ICE MERCHANDISER - (1) LET047
REMOTE CKT 1 IS NOT USED
REMOTE CKT 2 IS NOT USED
REMOTE CKT 3 IS NOT USED
REMOTE CKT 4 IS NOT USED
REMOTE CKT 5 IS NOT USED

TPC-2B LINE CONNECTION LOCATION:

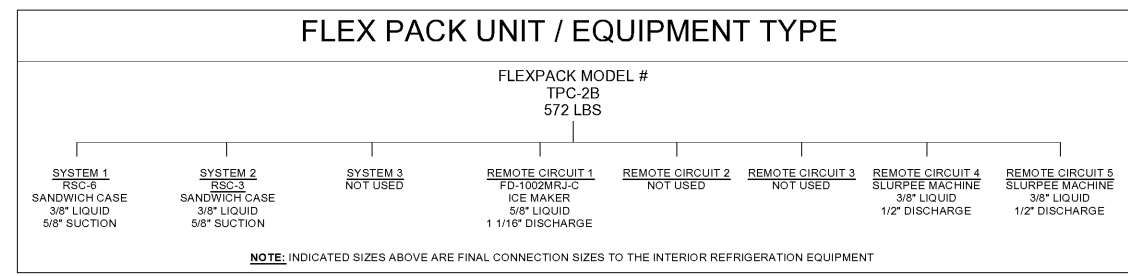
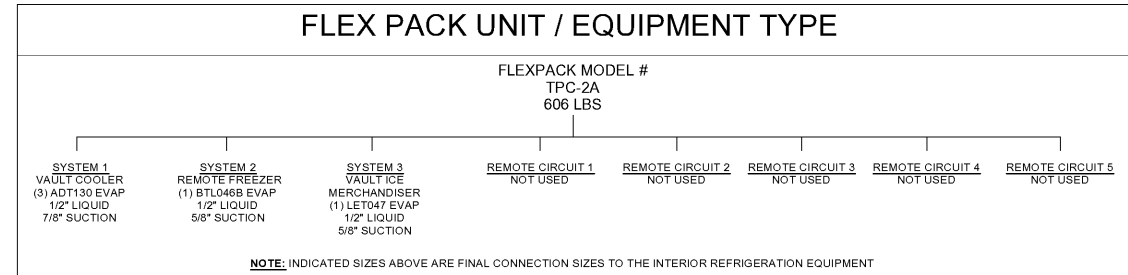
SYS 1 IS RSC-6 SANDWICH CASE
SYS 2 IS RSC-3 SANDWICH CASE
SYS 3 IS NOT USED
REMOTE CKT 1 IS FD-1002MRJ-C ICE MAKER
REMOTE CKT 2 IS NOT USED
REMOTE CKT 3 IS NOT USED
REMOTE CKT 4 IS SLURPEE MACHINE
REMOTE CKT 5 IS SLURPEE MACHINE

BOOT QUANTITY REQUIRED:

C-481 - 4 EACH (REFRIGERANT LINES AND ELECTRICAL LINES)

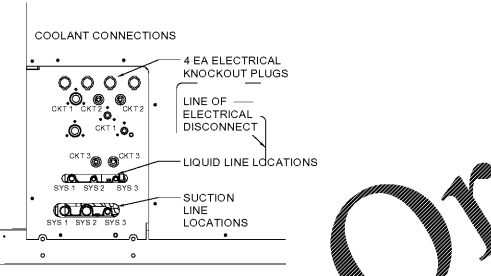
ELECTRICAL WIRING TO FLEXPACK:

FLEXPACK POWER: 3- #6, 1- #8G IN 1" EMT
ICE MAKER: 1PR- 120V IN 3/4" EMT
WIC, ICE MERC. LOW TEMP: 3PR- 24V WIRING IN 3/4" EMT
REF. SHEET E1.4 FOR LOW VOLTAGE AND CONTROL WIRING



5 ENLARGED TPC-2A CONNECTION DETAIL

N.T.S.



SYS 1: RSC-6 SANDWICH CASE CONNECTION - 3/8" LIQUID AND 3/8" SUCTION
SYS 2: RSC-3 SANDWICH CASE CONNECTION - 3/8" LIQUID AND 3/8" SUCTION
SYS 3: NOT USED
CKT 1: 1006 HR ICE MAKER CONNECTION - 3/8" LIQUID AND 1/2" DISCHARGE
CKT 2: NOT USED
CKT 3: NOT USED
NOTE: INDICATED SIZES ABOVE ARE FINAL CONNECTION SIZES TO THE FLEXPACK UNIT.

6 ENLARGED TPC-2B CONNECTION DETAIL

N.T.S.



NOTE: INDICATED SIZES ABOVE ARE FINAL CONNECTION SIZES TO THE FLEXPACK UNIT.

Order Plans

WWW.LDILLING.COM

COPYRIGHT © 2019 INTERPLAN LLC. RESERVE COPYRIGHTS. RESTRICTING THESE DOCUMENTS TO THE ORIGINAL USER OR TAMPING LOC WHICH THEY WERE PREPARED, REPRODUCTIONS, CHANGES OR ASSIGNMENTS ARE PROHIBITED.