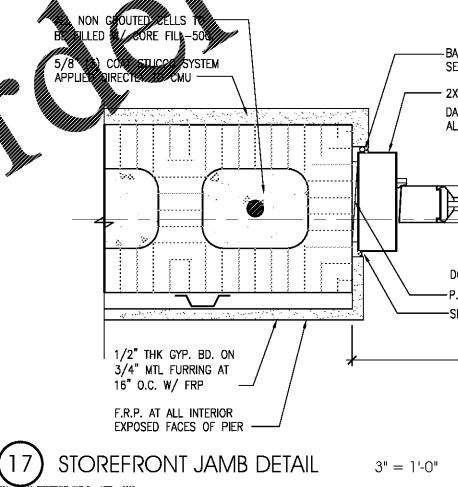
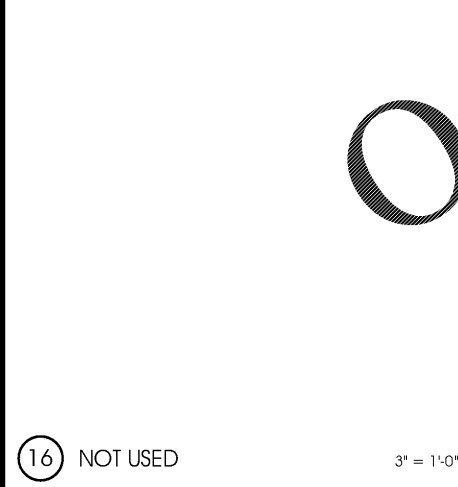
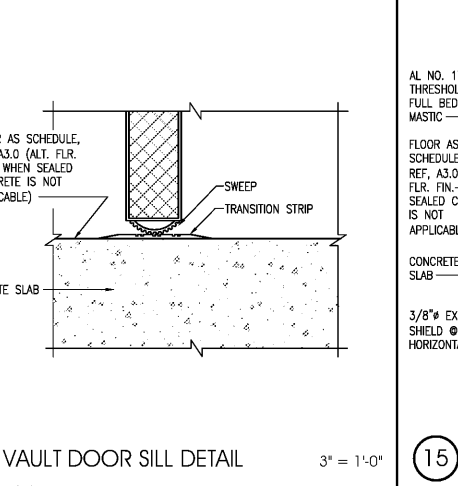
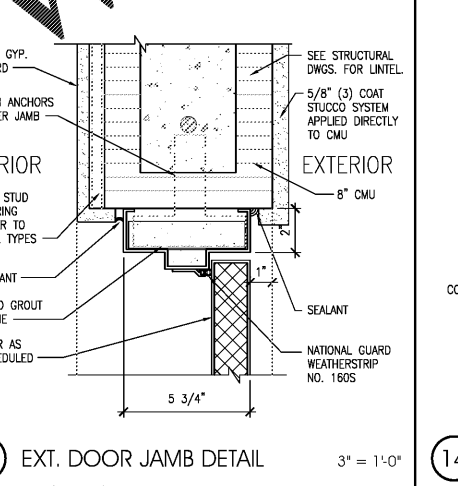
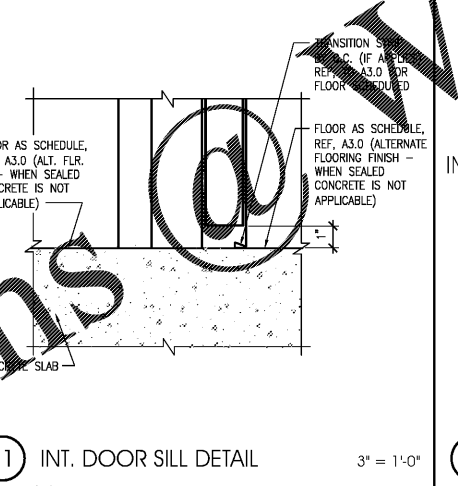
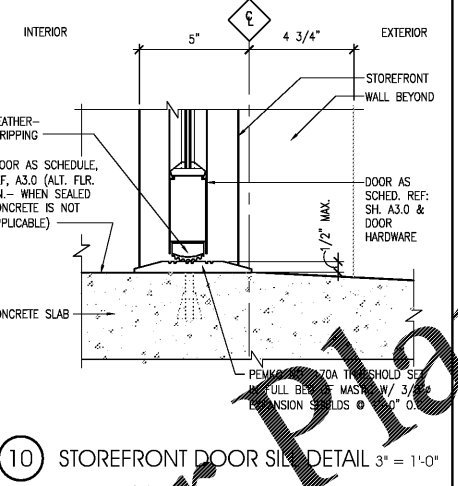
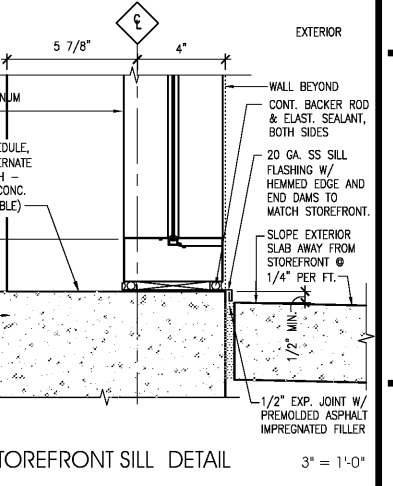
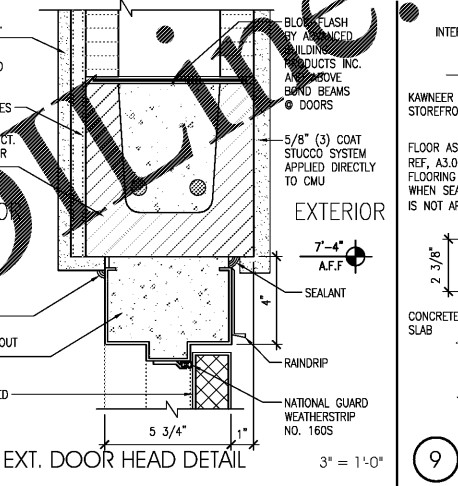
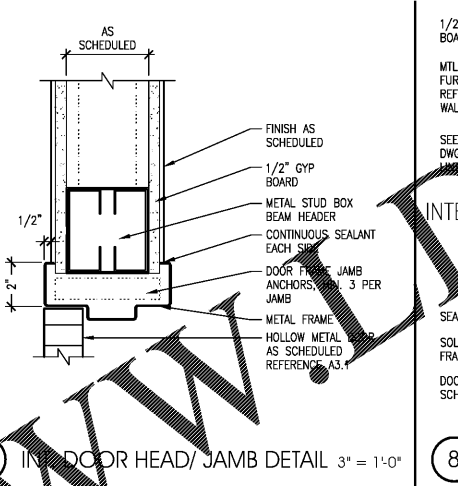
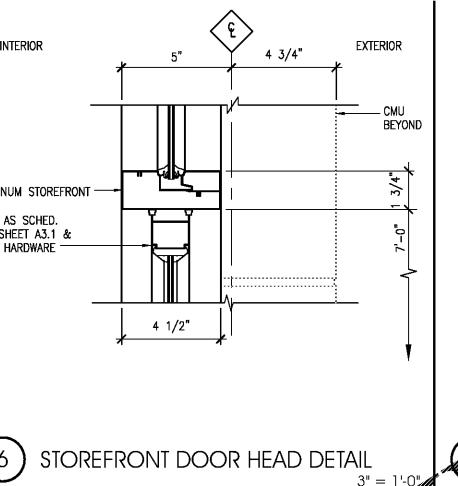
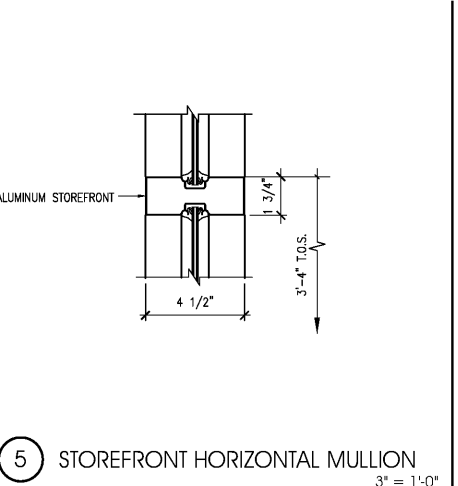
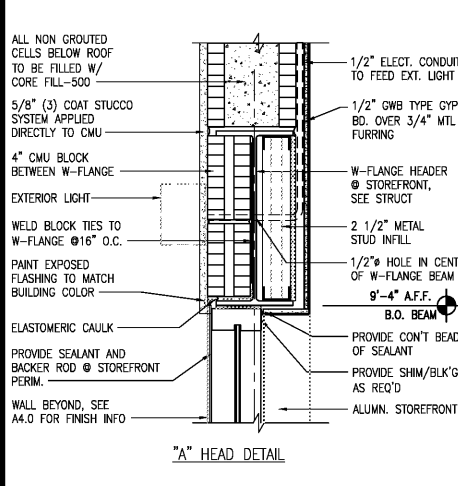
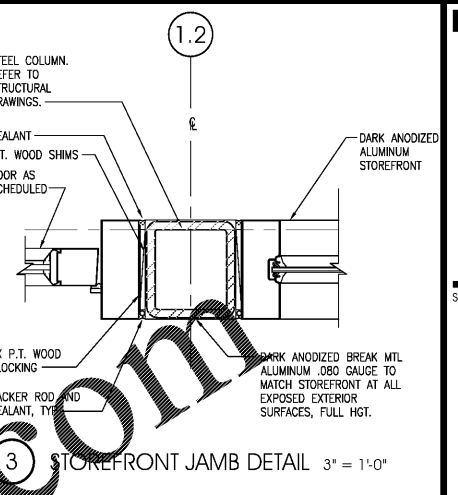
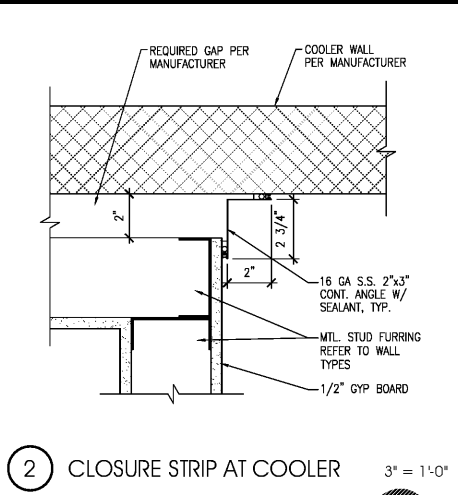
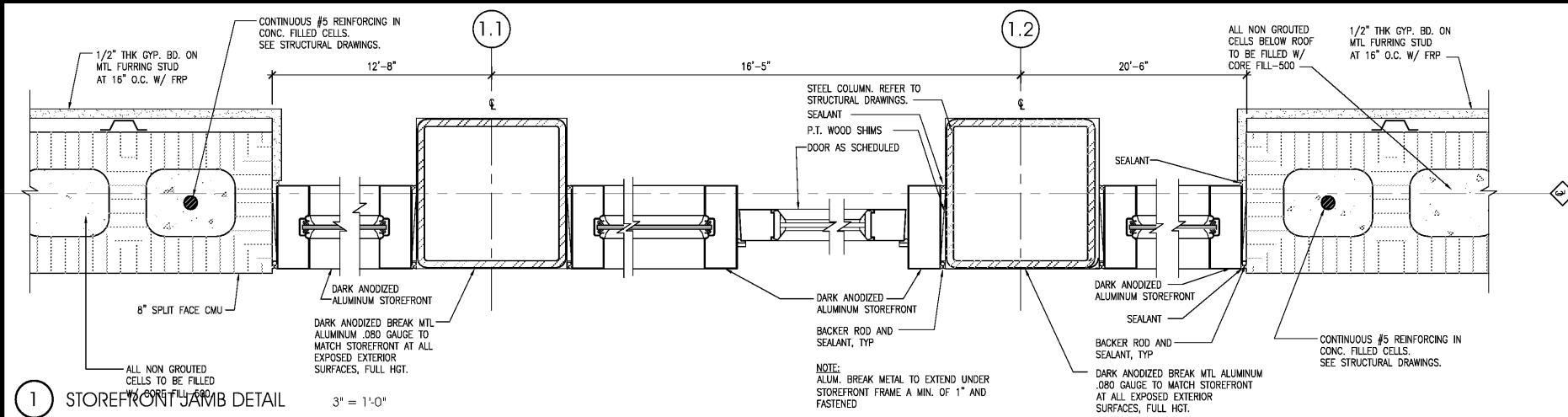


SEAL:

THIS DOCUMENT IS NOT
FOR REGULATORY
APPROVAL, PERMITTING,
OR CONSTRUCTION.



Order Plans @ WWW.ArchDaily.com

NO.	DATE	REMARKS



BID SET
JUNE 27, 2019

7-ELEVEN
STORE #38777

12060 US 301 N
PARRISH, FL
34219

PROJECT NO: 2018.0891
DATE: FEBRUARY 26, 2019

A7.0
DOORS AND STOREFRONT
DETAILS

CHECKED: RW DRAWN: JUM