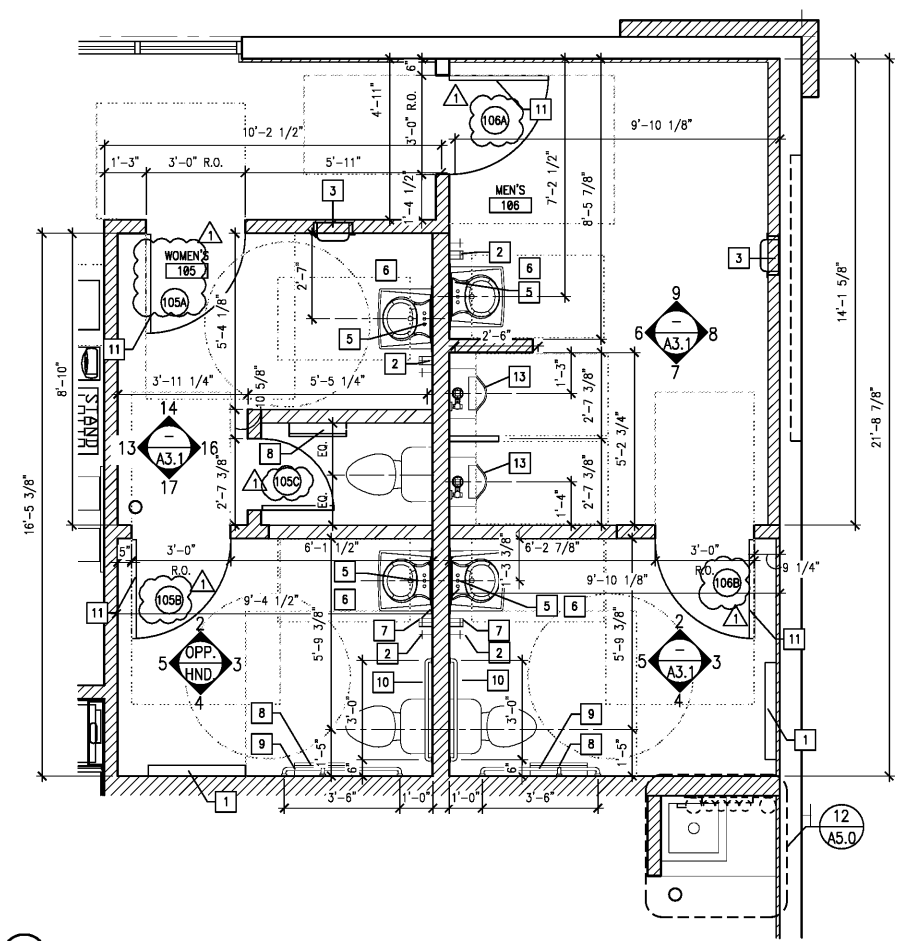
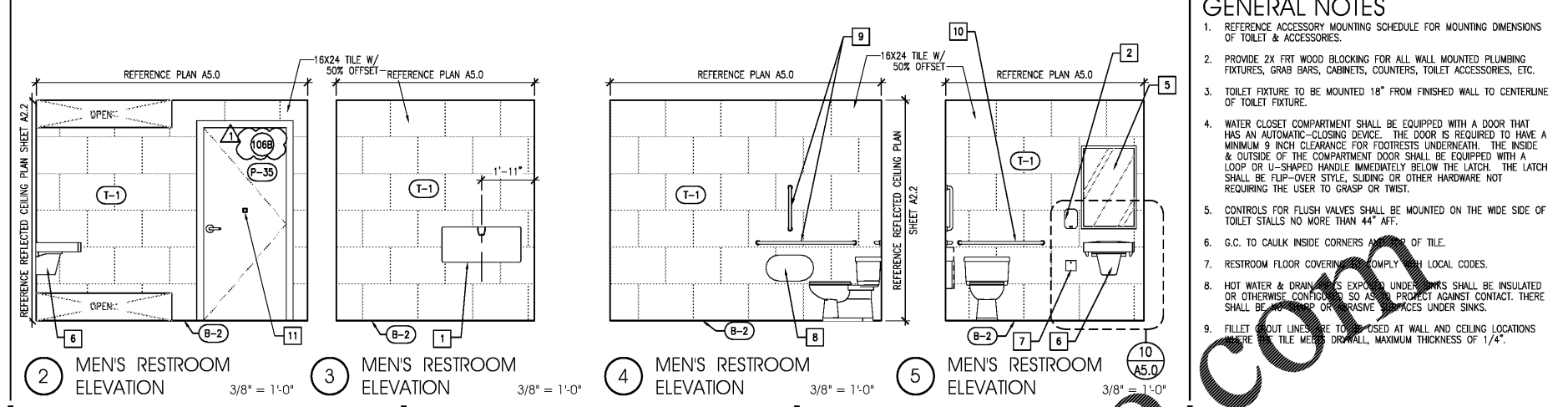


GENERAL NOTES

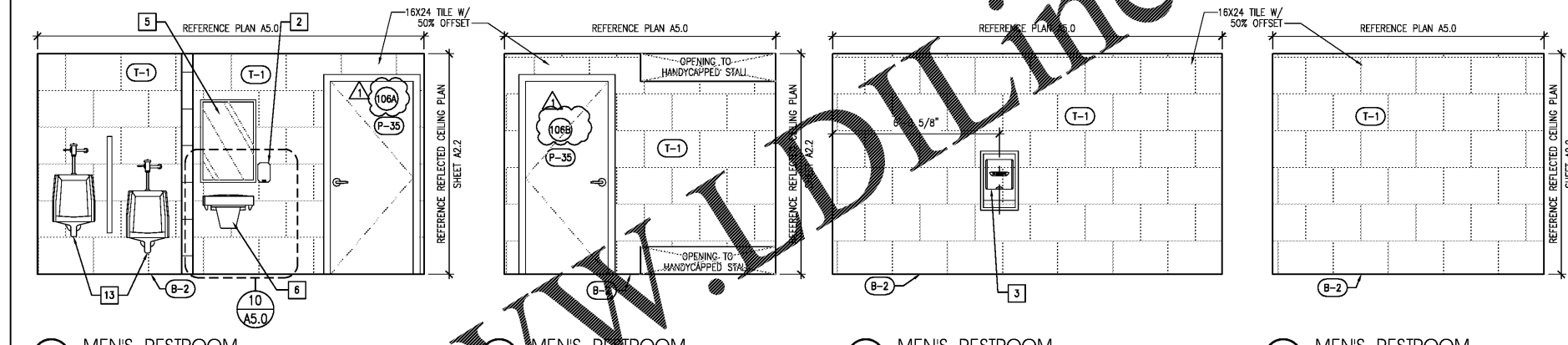
1. REFERENCE ACCESSORY MOUNTING SCHEDULE FOR MOUNTING DIMENSIONS OF TOILET & ACCESSORIES.
2. PROVIDE 2X FRT WOOD BLOCKING FOR ALL WALL MOUNTED PLUMBING FIXTURES, GRAB BARS, CABINETS, COUNTERS, TOILET ACCESSORIES, ETC.
3. TOILET FIXTURE TO BE MOUNTED 18" FROM FINISHED WALL TO CENTERLINE OF TOILET FIXTURE.
4. WATER CLOSET COMPARTMENT SHALL BE EQUIPPED WITH A DOOR THAT HAS AN AUTOMATIC-CLOSING DEVICE. THE DOOR IS REQUIRED TO HAVE A MINIMUM 9 INCH CLEARANCE FOR FOOTRESTS UNDERNEATH. THE INSIDE & OUTSIDE OF THE COMPARTMENT DOOR SHALL BE EQUIPPED WITH A LOOP OR U-SHAPED HANDLE IMMEDIATELY BELOW THE LATCH. THE LATCH SHALL BE FLIP-OVER STYLE, SLIDING OR OTHER HARDWARE NOT REQUIRING THE USER TO GRASP OR TWIST.
5. CONTROLS FOR FLUSH VALVES SHALL BE MOUNTED ON THE WIDE SIDE OF TOILET STALLS NO MORE THAN 44" AFF.
6. G.C. TO CAULK INSIDE CORNERS AND JOINTS OF TILE.
7. RESTROOM FLOOR COVERING TO COMPLY WITH LOCAL CODES.
8. HOT WATER & DRINKING WATER EXP. UNDER SINKS SHALL BE INSULATED OR OTHERWISE CONFIGURED SO AS TO PROTECT AGAINST CONTACT. THERE SHALL BE NO SHARP OR ABRASIVE SURFACES UNDER SINKS.
9. FILLET JOINT LINES ARE TO BE USED AT WALL AND CEILING LOCATIONS WHERE TILE MEETS DRYWALL, MAXIMUM THICKNESS OF 1/4".



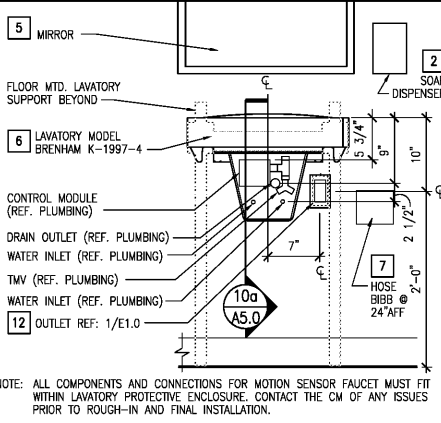
1 ENLARGED RESTROOM PLAN 1/2" = 1'-0"



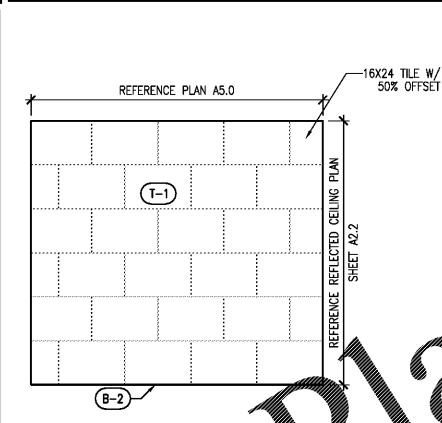
2 MEN'S RESTROOM ELEVATION 3/8" = 1'-0" 3 MEN'S RESTROOM ELEVATION 3/8" = 1'-0" 4 MEN'S RESTROOM ELEVATION 3/8" = 1'-0" 5 MEN'S RESTROOM ELEVATION 3/8" = 1'-0"



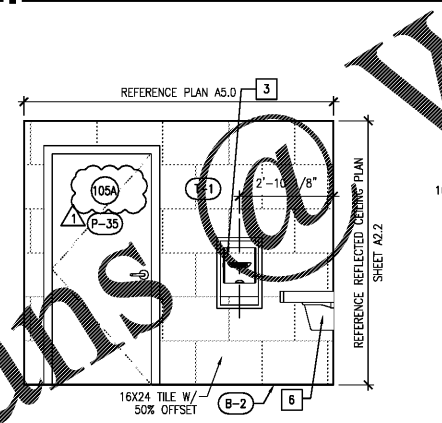
6 MEN'S RESTROOM ELEVATION 3/8" = 1'-0" 8 MEN'S RESTROOM ELEVATION 3/8" = 1'-0" 9 MEN'S RESTROOM ELEVATION 3/8" = 1'-0"



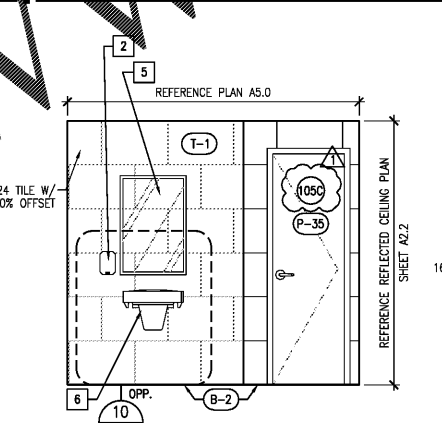
10 INT. ELEV. - LAVATORY 1" = 1'-0"



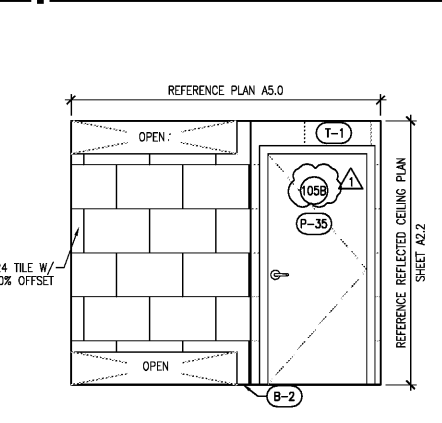
13 WOMEN RESTROOM ELEVATION 3/8" = 1'-0"



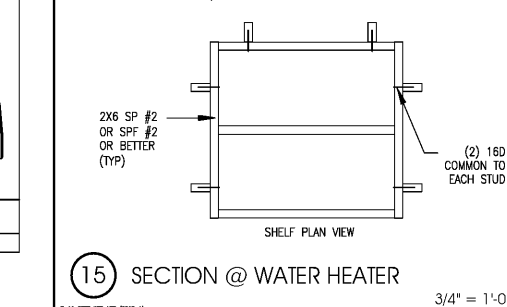
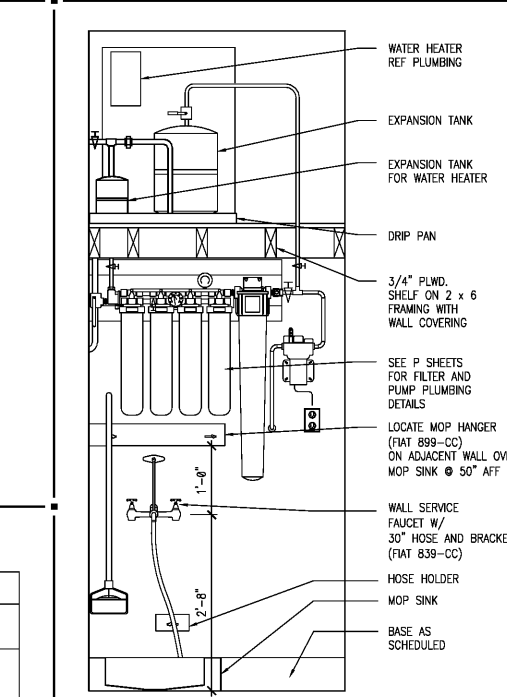
14 WOMEN RESTROOM ELEVATION 3/8" = 1'-0"



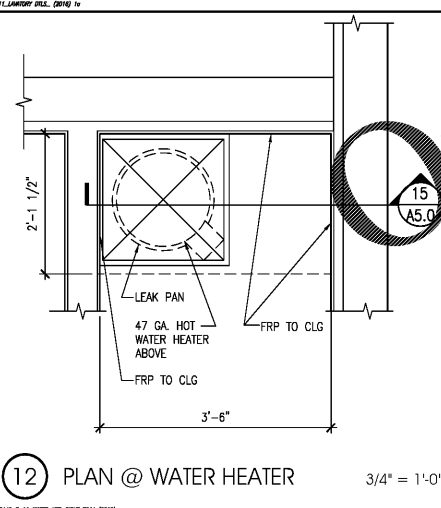
16 WOMEN RESTROOM ELEVATION 3/8" = 1'-0"



17 WOMEN RESTROOM ELEVATION 3/8" = 1'-0"



15 SECTION @ WATER HEATER 3/4" = 1'-0"



12 PLAN @ WATER HEATER 3/4" = 1'-0"

KEY NOTE DETAILS (NOT ALL ACCESSORIES MAY BE USED. REFER TO ENLARGED RESTROOM PLAN FOR LOCATION)

1	2	3	4	5	6	7	8	9	10	11	12	13
CHANGING STATION	SOAP DISPENSER	ELECTRICAL HAND DRYER W/ RECESS KIT	ELECTRIC HAND DRYER	RESTROOM MIRROR	LAVATORY	HOSE BIBB	TOILET PAPER DISPENSER	42" GRAB BAR / 18" VERTICAL GRAB BAR	36" GRAB BAR	COAT HOOK	OUTLET FOR FAUCET SENSOR	ELECTRONIC FLUSH VALVE URINAL

FOR REFERENCE ONLY - FOLLOW ALL LOCAL JURISDICTION CODES

1	03.18.19	PEER COMMENTS
NO.	DATE	REMARKS
REVISIONS		



BID SET
JUNE 27, 2019

**7-ELEVEN
STORE #38777**

12060 US 301 N
PARRISH, FL
34219

PROJECT NO: 2018.0891
DATE: FEBRUARY 26, 2019

A5.0
ENLARGED RESTROOM
PLAN AND INTERIOR
ELEVATIONS

CHECKED: RW DRAWN: JUM

Order Plans @ WWW.IDLINE.COM

WWW.IDLINE.COM

WWW.IDLINE.COM